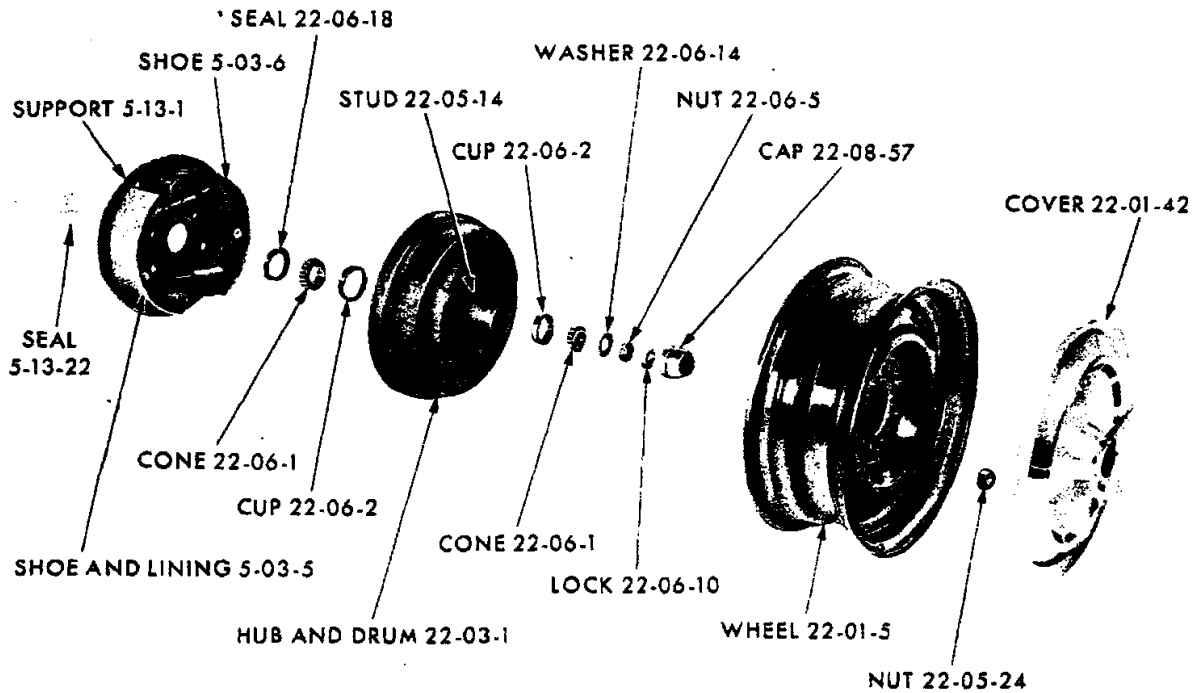
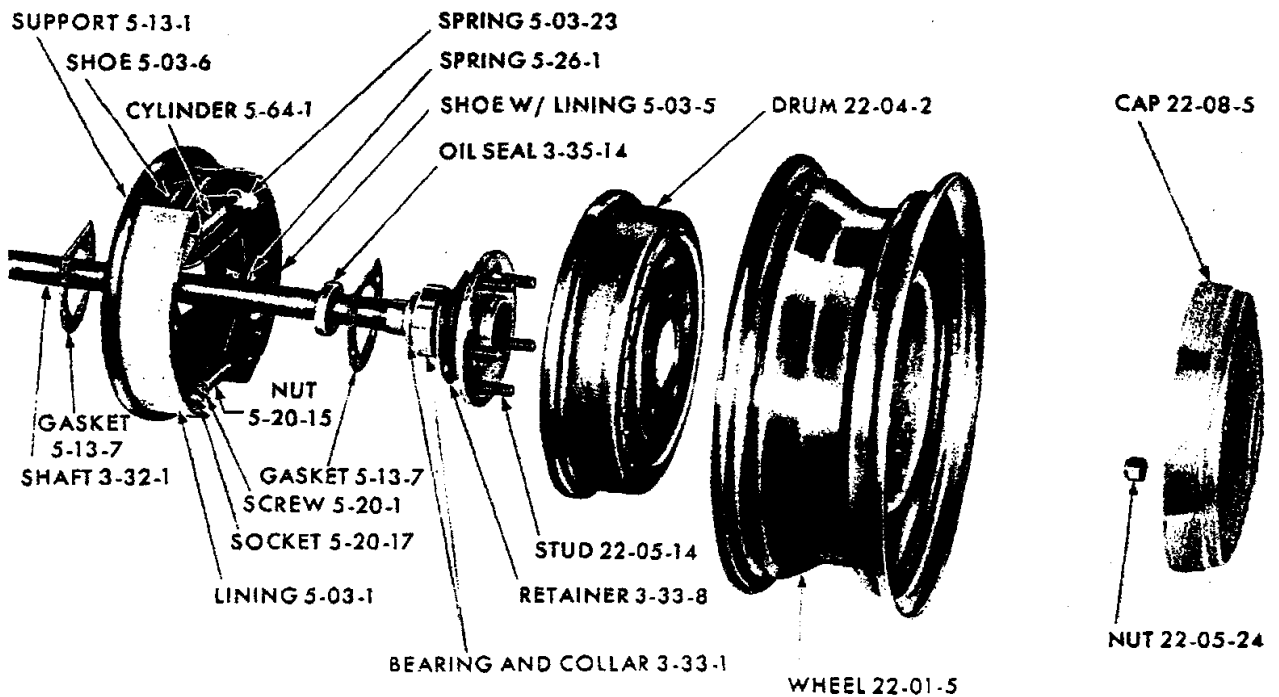


GROUP 22 - WHEELS



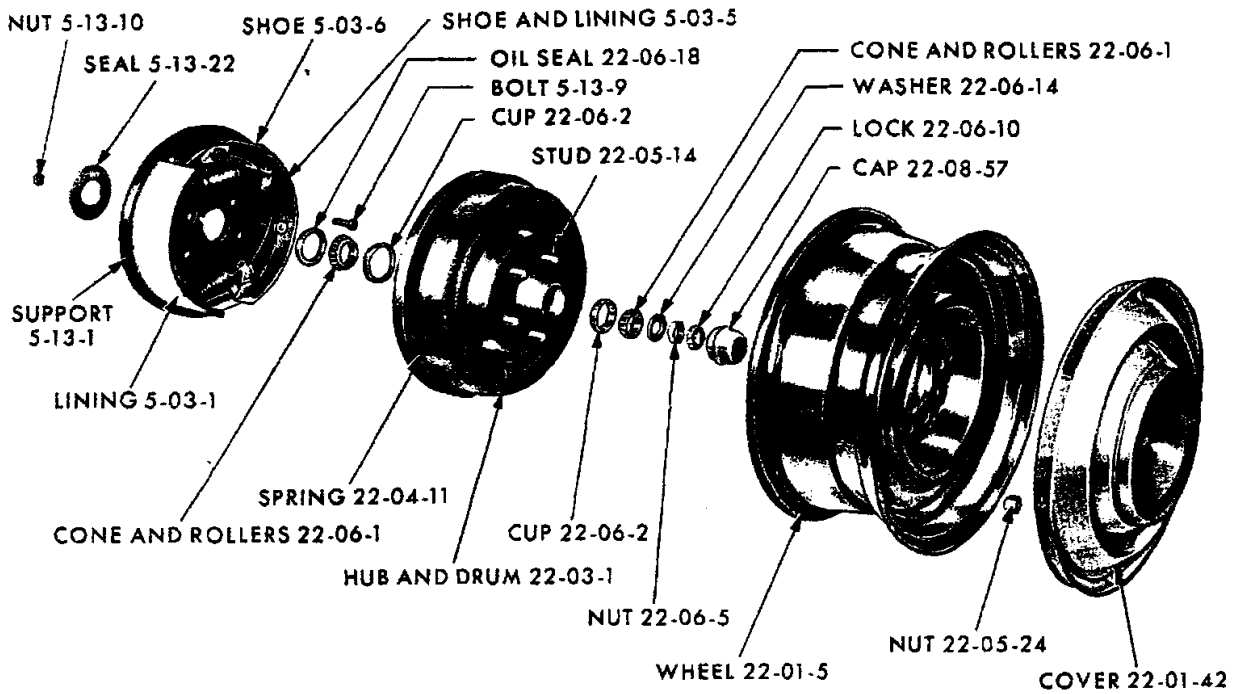
19x9589A

FRONT WHEEL - VALIANT VV1-2, DART VL1-2, PLYMOUTH VP1-2 AND DODGE VD1-2



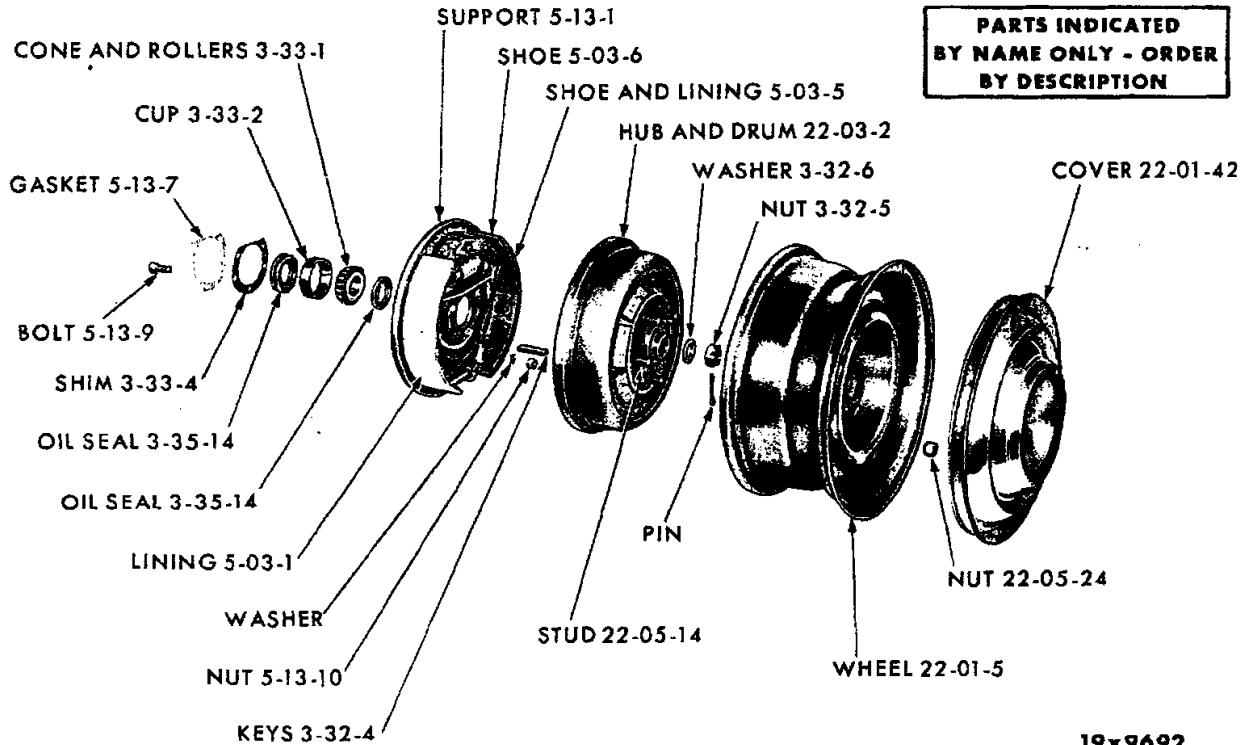
19x8787C

REAR WHEEL - VALIANT VV1-2 AND DART VL1-2



19x9691

FRONT WHEEL

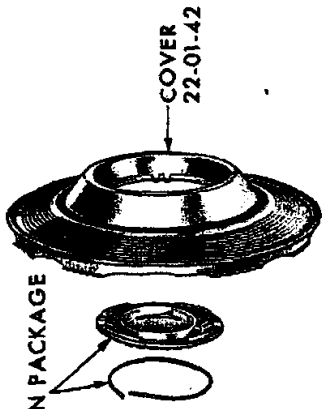
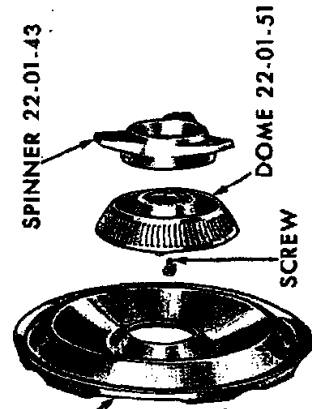
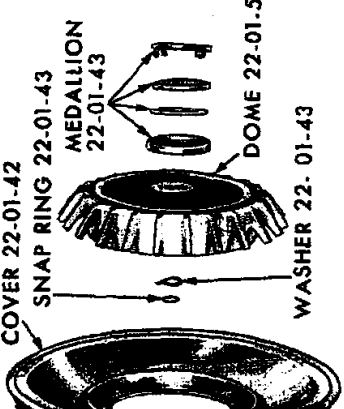
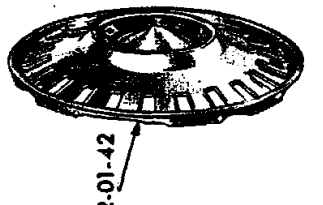
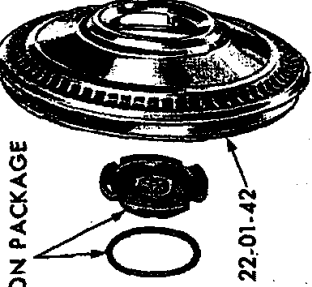
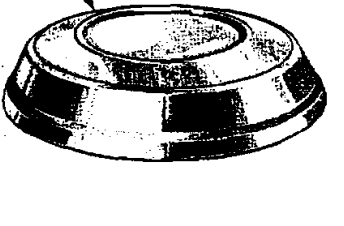
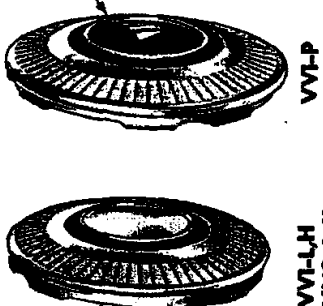
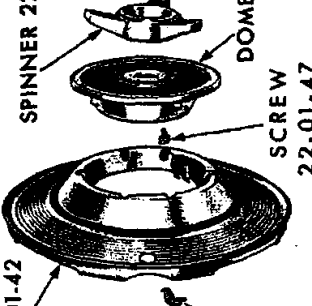
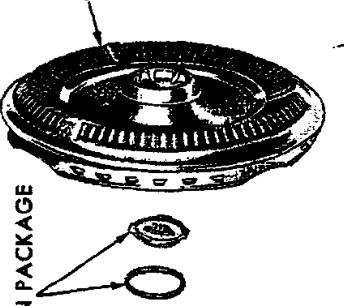


PARTS INDICATED BY NAME ONLY - ORDER BY DESCRIPTION

19x9692

REAR WHEEL - EXCEPT VALIANT VV1-2 AND DART VL1-2

UDR 17

 <p>MEDALLION PACKAGE 22-01-43</p> <p>COVER 22-01-42</p> <p>PLYMOUTH VPI-2L,M,H</p>	 <p>COVER 22-01-42</p> <p>SPINNER 22-01-43</p> <p>SCREW 22-01-47</p> <p>DOME 22-01-51</p> <p>DODGE VDI-2, VA3</p>	 <p>COVER 22-01-42</p> <p>SNAP RING 22-01-43</p> <p>WASHER 22-01-47</p> <p>MEDALLION 22-01-43</p> <p>DOME 22-01-51</p> <p>WASHER 22-01-43</p> <p>SCREW 22-01-47</p> <p>DODGE VDI-2L,M,H</p>
 <p>COVER 22-01-42</p> <p>DART VII-VL2</p>	 <p>MEDALLION PACKAGE 22-01-43</p> <p>COVER 22-01-42</p> <p>DODGE VDI-2L,M,H</p>	 <p>CAP 22-08-5</p> <p>PLYMOUTH, DODGE, CHRYSLER VCI</p>
 <p>COVER 22-01-42</p> <p>COVER 22-01-42</p> <p>VVI-L,H VV2-L,H VALIANT</p> <p>VVI-P VV2-P</p> <p>PLYMOUTH VP2-P</p>	 <p>COVER 22-01-42</p> <p>SPINNER 22-01-43</p> <p>SCREW 22-01-47</p> <p>DOME 22-01-51</p> <p>SCREW 22-01-47</p> <p>SPRING 22-01-58</p> <p>CHRYSLER VCI-2-3</p>	 <p>MEDALLION PACKAGE 22-01-43</p> <p>COVER 22-01-42</p> <p>CHRYSLER VCI-2-3</p>

19x9959A

WHEEL COVERS

CODE	PART NAME AND DESCRIPTION	CYL	PER CAR	VALIANT DART	PLYMOUTH DODGE	CHRYSLER IMPERIAL
------	---------------------------	-----	---------	--------------	----------------	-------------------

TIRE CHART

22-01-0 WHEELS

Wheel Size		Tire Size				
	13 x 4.50	6.50 x 13				
	14 x 5.00	8.50 x 14 - 7.00 x 14 - 7.50 x 14				
	14 x 5.50	7.00 x 14 - 7.50 x 14 - 8.00 x 14				
	14 x 6.00	8.00 x 14 - 8.50 x 14				
	14 x 6.50	9.00 x 14				
	15 x 5.50	6.70 x 15				
	15 x 6.00	7.60 x 15				
	15 x 6.00	7.60 x 15 - 8.00 x 15 - 8.20 x 15				
22-01-5	WHEEL, 13 x 4.50		5	2073 342		
	14 x 5.00, VP1, VP2, VD1, VD2, except Sta. Wgn.		5	----	2298 522	
	14 x 5.50, VA3, VC1, except Sta. Wgn., VP1, VP2, VD1, VD2		5	----	2298 523	2298 523
	14 x 6.00, VA3, VC1, VC2, VC3, except Sta. Wgn.	8	5	----	2448 377	2448 377
	14 x 6.50, VA3, VC1, VC2, VC3, Sta. Wgn.	8	5	----	*2122 468	*2122 468
	14 x 6.50, VP2, VD2, w/426 cu. in. Engine	8	5	----	2122 468	
	15 x 5.50, VP1, VP2, VD1, VD2		5	----	2409 855	
	15 x 6.00, VA3, VC1, Police Cars	8	5	----	2200 928	2200 928
	15 x 6.00, VY1	8	5	----	----	1948 155
22-01-42	COVER, Wheel, VV1-L, VV1-H, VV2-L, VV2-H.		4	2401 820		
	VV1-P, VV2-P		4	2401 821		
	VV1-P, VV1-H, VV2-P, VV2-H, Spinner Type		4	*2530 167		
	VL1, VL2		4	2401 951		
	VV1, VV2, Barracuda, Spinner Type		4	2530 167		
	VV1, VV2, Barracuda, De Luxe, Chrome Nut Type		4	*2530 339		
	VP2-L, VP2-M, VP2-H		4	----	2409 835	
	VP2-P, UP TO Type, Black Background, Surrounded by Red, White and Blue Circle, Spinner Type	8	4	----	*2409 838	
	VP2-P, AFTER Type, Red Background, Surrounded by White Circle, Spinner Type	8	4	----	2409 838	
	VD1, VD2-L, VD2-M, VD2-H		4	----	2409 511	
	VD1, VD2, VA3, Spinner Type		4	----	2409 781	
	15" Wheel, VA3, VC1, Police Cars	8	4	----	2260 160	2260 160
	VC1, UP TO Serial No. 8143-181359 and 8543-181359, w/Red Medallion	8	4	----	----	*2405 168
	VC1, AFTER Serial No. 8143-181359 and 8543-181359 w/Maroon Madellion	8	4	----	----	E2530 336
	VC2	8	4	----	----	2409 819
	Black, VC3	8	4	----	----	2409 264
	White, VC3	8	4	----	----	2409 266
	Medium Gray Metallic, VC3	8	4	----	----	2409 268
	Light Blue, VC3	8	4	----	----	2409 270
	Medium Blue Metallic, VC3	8	4	----	----	2409 272
	Dark Blue Metallic, VC3	8	4	----	----	2409 274
	Medium Beige Gold Metallic, VC3	8	4	----	----	2409 276
	Light Tan, VC3	8	4	----	----	2409 278
	Medium Tan Metallic, VC3	8	4	----	----	2409 280
	Medium Turquoise Metallic, VC3	8	4	----	----	2409 282
	Dark Turquoise Metallic, VC3	8	4	----	----	2409 284

* Indicates use as required.

E Indicates parts not listed in any previous parts book.

* Indicates change or addition.

Numerals in parentheses () refer to notes.

Printed in U.S.A. Prices and specifications subject to change without notice.

1964 PASSENGER CAR PARTS CATALOG

WHEELS

CODE	PART NAME AND DESCRIPTION	CYL	PER CAR	VALIANT DART	PLYMOUTH DODGE	CHRYSLER IMPERIAL
22-01-0 WHEELS - Cont'd						
22-01-42	COVER - Cont'd					
	Dark Red Metallic, VC3	8	4	----	----	2409 286
	Medium Mauve, Soft Lilac Metallic, VC3	8	4	----	----	*2409 288
	Maroon Metallic, VC3	8	4	----	----	2409 290
	Medium Yellow Green Metallic, VC3	8	4	----	----	2409 292
	Dark Yellow Green Metallic, VC3	8	4	----	----	2409 294
	VY1, w/o Dome	8	4	----	----	2409 812
22-01-43	SPINNER, Cover Dome, VV1, VV2, Barracuda, VV1-P, VV2-P, VP2-P		4	*2409 841	*2409 841	
	MEDALLION, VV1, VV2, w/Spinner Type Cover, Barracuda		4	*2530 170		
	VV1-H, VV1-P, VV2-H, VV2-P, w/Spinner Type Cover		4	*2530 170		
	SPINNER, VD1, VD2, VA3		4	----	2409 784	
	MEDALLION, Dome, w/BEZEL and RETAINER, VY1	8	4	----	----	2409 669
	WASHER, Bezel Thrust, VY1	8	4	----	----	6024 223
	SNAP RING, Bezel, VY1	8	4	----	----	6024 222
	MEDALLION PACKAGE, w/SPACER, VD1, VD2-L, VD2-M, VD2-H		4	----	2525 065	
	MEDALLION PACKAGE, w/SPACER, VP1, VP2-L, VP2-M, VP2-H		4	----	2525 066	
	MEDALLION PACKAGE, w/SPACER and CAP, VC1, UP TO Serial No. 8143-181359 and 8543-181359 Red	8	4	----	----	*2525 078
	MEDALLION PACKAGE, w/SPACER and CAP, VC1, AFTER Serial No. 8143-181359 and 8543-181359 Maroon	8	4	----	----	E2525 082
	MEDALLION PACKAGE, w/SPACER, VC2	8	4	----	----	2525 080
	MEDALLION PACKAGE, w/SPACER and CAP, VC3	8	4	----	----	2525 079
22-01-46	EXTENSION PACKAGE, Black, 1 1/4" lgh., VV1, VD1, VD2, VC2, VC3		1	E2401 841	E2401 841	E2401 841
	1" lgh., VV1, VV2, VP1, VP2, VD2-P, VA3, VC1-L, VY1		1	E2530 154	E2530 154	E2530 154
	1 1/2" lgh., VD1, VD2-L, VD2-M, VD2-H, VC1-L, VC2-M, C3		1	----	E2530 155	E2530 155
22-01-47	SCREW, Spinner Mounting		★	*6025 175	*6024 989	
	Cover Dome Mounting, VY1	8	★	----	----	*6024 989
22-01-51	DOME, Wheel Cover, w/MEDALLION, w/De Luxe Cover, Barracuda		4	2530 344		
	w/MEDALLION, VD1, VD2, VA3		4	----	2409 783	
	DOME, Wheel Cover, w/MEDALLION, VP2-P, UP TO Type, Black Background		8	----	2460 647	
	Surrounded by Red, White and Blue Circle		8	----	2409 847	
	VP2-P, AFTER Type, Red Background, Surrounded by White Circle		8	----	----	2409 653
	Medium Gray Metallic, VY1		8	----	----	2409 654
	White, VY1		8	----	----	
	Black, VY1		8	----	----	2409 655
	Dark Red Metallic, VY1		8	----	----	2409 656
	Ivory, VY1		8	----	----	2409 658
	Medium Mauve Metallic, VY1		8	----	----	2409 661
	Medium Tan Metallic, VY1		8	----	----	2409 662
	Light Tan, VY1		8	----	----	2409 663
	Medium Turquoise Metallic, VY1		8	----	----	2409 665
	Medium Blue Metallic, VY1		8	----	----	2409 667
	Light Blue, VY1		8	----	----	2409 668
	Medium Yellow Green Metallic, VY1		8	----	----	2409 831

★ Indicates use as required.

Numerals in parentheses () refer to notes.

Printed in U.S.A.

E Indicates parts not listed in any previous parts book.

Prices and specifications subject to change without notice.

March 15, 1965 Supersedes March 16, 1964.

* Indicates change or addition.

CODE	PART NAME AND DESCRIPTION	CYL	PER CAR	VALIANT DART	PLYMOUTH DODGE	CHRYSLER IMPERIAL
22-01-0 WHEELS - Cont'd						
22-01-52	RING, Cover Dome Retaining, VV1, VV2, Barracuda, w/Deluxe Type Cover			E2530 345		
22-01-56	SPACER, Medallion, w/Spinner Type Cover, Barracuda		4	2530 169		
	VV1-H, VV1-P, VV2-H, VV2-P, w/Spinner Type Cover		4	*2530 169		
22-01-58	SPRING, Dome Retention, VP2-P	8	4	----	2409 840	
22-03-0 HUB AND BRAKE DRUM						
22-03-1	HUB and BRAKE DRUM, Front, 9" x 2 1/2" Brakes, Newark, St. Louis and KDX Export, Blt., Right		1	2267 080		
	Left		1	2267 081		
	Front, 9" x 2 1/2" Brakes, Cal. Blt., Right		1	2072 794		
	Left		1	2072 795		
	Front, 9" x 2 1/2" Brakes, Detroit Blt., Right		1	2260 534		
	Left		1	2260 535		
	Front, 10" x 2 1/2" Brakes, Right, VP1, VP2		1	----	2405 828	
	Left		1	----	2405 829	
	Front, 10" x 2 1/2" Brakes, Cal., St. Louis, Newark and KDX Export, Blt., Right, VD1, VD2		1	----	2405 828	
	Left		1	----	2405 829	
	Front, 10" x 2 1/2" Brakes, Detroit Blt., Right, VD1, VD2		1	----	2266 386	
	Left		1	----	2266 387	
	Front, 10 x 2 1/2" Brakes, Detroit Blt., Full Cast Iron, Rt., VD1, VD2		1	----	E2460 610	
	Left		1	----	E2460 611	
	Front, 11" x 3" Brakes, Right, VP1, VP2, VD1, VD2		1	----	2266 390	
	Left		1	----	2266 391	
	Front, 11" x 3" Brakes, Right, VA3, VC1, VC2, VC3	8	1	----	2266 896	2266 896
	Left	8	1	----	2266 897	2266 897
	Front, 11" x 3" Brakes, Right, VA3 UP TO Serial No. 5943-121662, VC1 UP TO Serial No. 8943-121662, Police Cars	8	1	----	2401 548	2401 548
	Left	8	1	----	2401 549	2401 549
	Front, 11" x 3" Brakes, Right, VA3 AFTER Serial No. 5943-121662, VC1 AFTER Serial No. 8943-121662, Police Cars	8	1	----	*2530 126	*2530 126
	Left	8	1	----	2530 127	2530 127
	Front, Right, VY1-M UP TO Serial No. 9243-109791, VY1-H UP TO Serial No. 9343-109791	8	1	----	----	2401 546
	Left	8	1	----	----	2401 547
	Front, Right, VY1-M AFTER Serial No. 9243-109791, VY1-H AFTER Serial No. 9343-109791	8	1	----	----	*2530 130
	Left	8	1	----	----	2530 131
22-03-2	HUB and BRAKE DRUM, Rear, 10" x 2 1/2" Brakes, Right, VP1, VP2		1	----	*2405 830	
	Left		1	----	2405 831	
	Rear, 10" x 2 1/2" Brakes, Cal., St. Louis, Newark and KDX Export, Blt., Right, VD1, VD2		1	----	2405 830	
	Left		1	----	2405 831	

* Indicates use as required. Numerals in parentheses () refer to notes. Printed in U.S.A.
 ☐ Indicates parts not listed in any previous parts book. Prices and specifications subject to change without notice.
 * Indicates change or addition. Page 22-5 March 15, 1965 Supersedes March 16, 1964.

1964 PASSENGER CAR PARTS CATALOG

WHEELS

CODE	PART NAME AND DESCRIPTION	CYL	PER CAR	VALIANT DART	PLYMOUTH DODGE	CHRYSLER IMPERIAL
22-03-O HUB AND BRAKE DRUM - Cont'd						
22-03-2	HUB and BRAKE DRUM - Cont'd					
	Rear, 10" x 2 1/2" Brakes, Detroit Blt., Right, VD1, VD2		1	----	2265 550	
	Left		1	----	2265 551	
	Rear, 11" x 2 1/2" Brakes, Right, VP1, VP2, VD1, VD2		1	----	2265 354	
	Left		1	----	2265 355	
	Rear, 11" x 2 1/2" Brakes, Right, VA3, VC1, VC2, VC3, except Sta. Wgn., Plain Rim	8	1	----	2401 962	2401 962
	Left	8	1	----	2401 963	2401 963
	Rear, 11" x 2 1/2" Brakes, Right, VA3, VC1, VC2, VC3 except Sta. Wgn., w/Bead on Rim	8	1	----	2409 546	2409 546
	Left	8	1	----	2409 547	2409 547
	Rear, 11" x 3" Brakes, Right, VA3, VC1, Police Cars	8	1	----	2401 426	2401 426
	Left	8	1	----	2401 427	2401 427
	Rear, 11" x 3" Brakes, Right, VA3 w/383 cu. in. Engine, VC2, VC3.	8	1	----	2401 426	2401 426
	Left	8	1	----	2401 427	2401 427
	Rear, 11" x 3" Brakes, Right, VY1-M UP TO Serial No. 9243-109791, VY1-H UP TO Serial No. 9343-109791	8	1	----	----	2401 542
	Left	8	1	----	----	2401 543
	Rear, 11" x 3" Brakes, Right, VY1-M AFTER Serial No. 9243-109791, VY1-H AFTER Serial No. 9343-109791	8	1	----	----	*2530 132
	Left	8	1	----	----	2530 133
22-04-O BRAKE DRUM						
22-04-2	DRUM, Rear, Steel Encased		2	2267 083		
	Rear, Cast Iron		2	2260 538		
22-04-11	SPRING, Front Wheel Brake Drum Dampener		2	2266 298		
	10" Brakes, Front and Rear, VP1, VP2, VD1, VD2		4	----	1142 316	
	11" x 2 1/2" Brakes, Rear, VP1, VP2, VD1, VD2		2	----	2266 877	
	11" x 3" Brakes, Rear, VA3	8	2	----	2266 877	2266 877
	11" x 2 1/2" Brakes, Rear, VA3, VC1, VC2, VC3 except Sub.		2	----	1142 259	1142 259
	11" x 3" Brakes, Front		2	----	2266 877	2266 877
22-04-14	RETAINER, Drum to Axle Shaft		6	2072 676		
22-05-O WHEEL HUB						
22-05-14	STUD, Front Hub, Newark, St. Louis and KDX					
	Export, Right		5	2072 750		
	Left		5	2072 751		
	Front Hub, Cal. Blt., Right		5	2265 390		
	Left		5	2265 391		
	Front Hub, Detroit Blt., Right.		5	2409 808		
	Left		5	2409 809		
	Rear Hub, Right.		5	2070 158		
	Left		5	2070 159		
	STUD, Front Hub, 10" x 2 1/2" Brakes, Right, VP1, VP2		5	----	2405 144	
	Left		5	----	2405 145	
	STUD, Front Hub, 10" x 2 1/2" Brakes, Cal., St. Louis, Newark and KDX Export, Blt., Right, VD1, VD2		5	----	2405 144	
	Left		5	----	2405 145	

* Indicates use as required.

Numerals in parentheses () refer to notes.

Printed in U.S.A.

E Indicates parts not listed in any previous parts book.

Prices and specifications subject to change without notice.

CODE	PART NAME AND DESCRIPTION	CYL	PER CAR	VALIANT DART	PLYMOUTH DODGE	CHRYSLER IMPERIAL
22-05-0 WHEEL HUB - Cont'd						
22-05-14	STUD, Front and Rear Hub, 10" x 2 1/2" Brakes, Detroit Blt., Right, VD1, VD2		10	----	2409 798	
	Left		10	----	2409 799	
	STUD, Front Hub, 10 x 2 1/2" Brakes, Detroit Blt., Full Cast Iron, Right, VD1, VD2		5	----	*2460 614	
	Left		5	----	*2530 615	
	STUD, Front Hub, 11" x 3" Brakes, Right, VC1, VC2, VC3		5	----	2405 144	2405 144
	Left		5	----	2405 145	2405 145
	STUD, Front and Rear Hub, Right, VY1	8	10	----	----	2460 662
	Left	8	10	----	----	2460 663
	STUD, Rear Hub, 10" x 2 1/2" Brakes, Right, VP1, VP2		5	----	2405 146	
	Left		5	----	2405 147	
	STUD, Rear Hub, 10" x 2 1/2" Brakes, Cal., St. Louis, Newark and KDX Export, Blt., Right, VD1, VD2		5	----	2405 146	
	Left		5	----	2405 147	
	STUD, Rear Hub, 11" x 2 1/2" Brakes, Right, VC1, VC2, VC3 except Sub.		5	----	2405 146	2405 146
	Left		5	----	2405 147	2405 147
	STUD, Rear Hub, 11" x 3" Brakes, Right, VA3, VC1, VC2, VC3	8	5	----	2405 146	2405 146
	Left	8	5	----	2405 147	2405 147
22-05-24	NUT, Front and Rear Wheel Mounting, Right, Plain		10	*2409 824		
	Left		10	*2409 825		
	Front and Rear Wheel Mounting, Right, Chrome, w/De Luxe Cover, Barracuda		10	*2530 346		
	Left		10	*2530 347		
	Front and Rear, Right, VC1, VC2, VC3		10	----	2409 826	2409 826
	Left		10	----	2409 827	2409 827
	Front and Rear, Right, VY1	8	10	----	----	2409 828
	Left	8	10	----	----	2409 829
22-06-0 FRONT WHEEL BEARING						
22-06-1	CONE and ROLLER, Inner		2	2203 352		
	Outer		2	2203 350		
	Inner, VC1, VC2, VC3		2	----	1619 701	1619 701
	Outer, VC1, VC2, VC3		2	----	1619 703	1619 703
	Inner, VY1	8	2	----	----	1789 755
	Outer, VY1	8	2	----	----	1790 241
22-06-2	CUP, Inner		2	2203 353		
	Outer		2	2203 351		
	Inner, VC1, VC2, VC3		2	----	1619 700	1619 700
	Outer, VC1, VC2, VC3		2	----	1619 702	1619 702
	Inner, VY1	8	2	----	----	1789 754
	Outer, VY1	8	2	----	----	1790 244
22-06-5	NUT, Bearing		2	2072 731		
			2	----	1732 300	1732 300
22-06-10	LOCK, Nut		2	1673 324	1673 324	1673 324
22-06-14	WASHER, Nut Thrust		2	2072 733		
			2	----	600 194	600 194
22-06-18	SEAL, Hub Dust		2	*2525 063		
	VC1, VC2, VC3		2	----	2266 378	2266 378
	VY1	8	2	----	----	2266 839

* Indicates use as required.

⊠ Indicates parts not listed in any previous parts book.

• Indicates change or addition.

Numerals in parentheses () refer to notes.

1964 PASSENGER CAR PARTS CATALOG

WHEELS

CODE	PART NAME AND DESCRIPTION	C Y L	PER CAR	VALIANT DART	PLYMOUTH DODGE	CHRYSLER IMPERIAL
22-08-O HUB CAP						
22-08-5	CAP, VV1, VV2		4	2401 843		
	VL1, VL2		4	2409 523		
	VC1, Bright Finish		4	----	2401 956	2401 956
	VD1, VD2, Bright and Brushed Finish		4	----	2409 797	
	15" Wheel, VA3, VC1, Police Cars	8	4	----	1943 733	1943 733
22-08-57	CAP, Front Wheel Grease		2	2072 718		
	VC1, VC2, VC3		2	----	1613 416	1613 416
	VY1	8	2	----	----	1671 341
22-09-O WHEEL BALANCE WEIGHT						
22-09-1	WEIGHT, 1/2 oz.		★	*1615 349	1615 349	1615 349
	1 oz.		★	*1615 350	1615 350	1615 350
	1 1/2 oz.		★	*1615 351	1615 351	1615 351
	2 oz.		★	*1615 352	1615 352	1615 352
	2 1/2 oz.		★	*1615 353	1615 353	1615 353
	3 oz.		★	*1615 354	1615 354	1615 354
22-20-O SPARE WHEEL CARRIER						
22-20-29	BRACKET, Anchor Bolt		1	2083 190		
	VP1, VP2, VD1, VD2, except Cv. Cp. and Sta. Wgn.		1	----	*2484 181	
	VP2, VD2, Cv. Cp.	8	1	----	2254 646	
	VP1, VP2, VD1, VD2, Sta. Wgn.		1	----	*2254 644	
	VA3, VC1, VC2, VC3, Sta. Wgn.	8	1	----	*2093 980	*2093 980
	VA3, VC1, VC2, Cv. Cp.	8	1	----	2094 624	2094 624
	VC1, VC2, VC3 except Cv. Cp. and Sta. Wgn., w/Air Conditioning	8	1	----	*2094 624	*2094 624
	VA3, VC1, VC2, VC3, except Cv. Cp. and Sta. Wgn., VY1	8	1	----	*1695 319	*1695 319
22-20-80	PLATE, Anchor Rod, VY1	8	1	----	----	1750 747
22-20-82	RETAINER, Bolt, Cv. Cp. and Sta. Wgn.		1	----	2206 925	
22-20-87	BOLT, Spare Wheel Anchor, except Sta. Wgn.		1	6023 192		
	BOLT, Sta. Wgn.	6	1	6022 804		
	BOLT, VP1, VP2, VD1, VD2, except Cv. Cp. and Sta. Wgn., 8 27/32" lgh.		1	----	2424 803	
	BOLT, VP1, VP2, VD1, VD2, Sta. Wgn.		1	----	E2254 645	
	BOLT, VP2, VD2, Cv. Cp., w/7.50 Tire, 8 1/4" lgh.	8	1	----	E2254 645	
	BOLT, VP2, VD2, Cv. Cp., w/7.00 Tire, 8 1/4" lgh. SCREW, Hold-Down Bracket, VP2, VD2, except Sub., VC2 except 4 D. Sed.	8	1	----	E2254 645	
	Sub., VC2 except 4 D. Sed.	8	4	----	*1740 029	*1740 029
	ROD, VA3, VC1, VC2, VC3, except Cv. Cp.	8	1	----	1963 237	1963 237
	ROD, VA3, VC1, VC2, VC3, w/3 Seats	8	1	----	1963 236	1963 236
	ROD, VY1	8	1	----	----	2483 746
22-20-89	NUT, Anchor Rod Wing		1	6023 540	6023 540	6023 540

NOTES

★ indicates use as required.

Numerals in parentheses () refer to notes.

Printed in U.S.A.

⊠ indicates parts not listed in any previous parts book.

Prices and specifications subject to change without notice.

March 15, 1965 Supersedes March 16, 1964.

* Indicates change or addition.