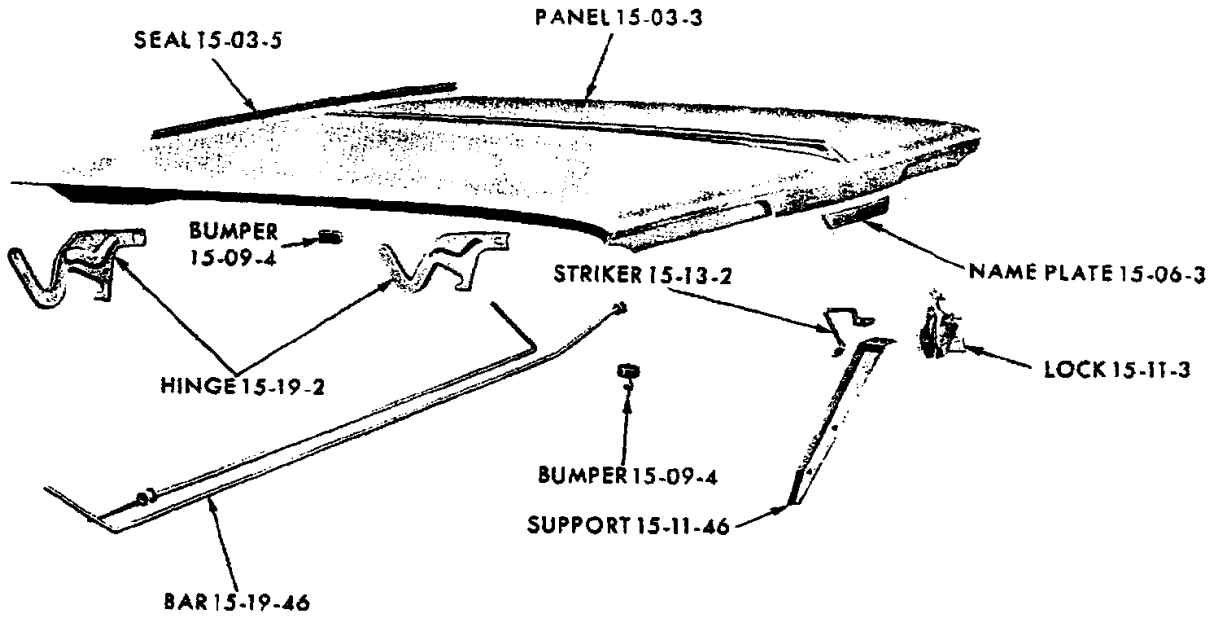
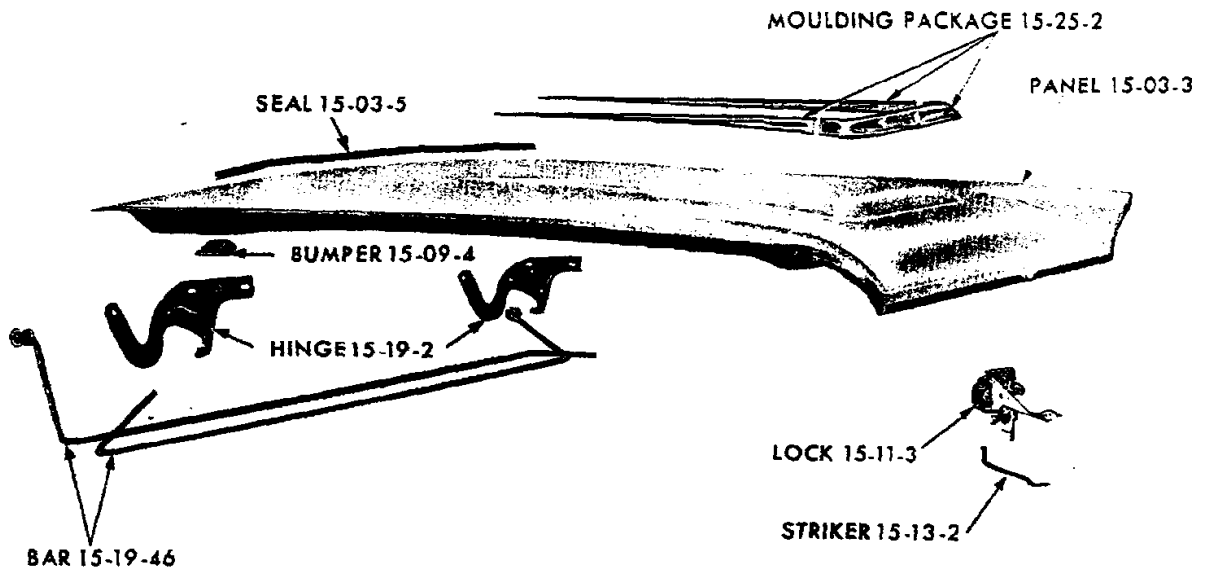


GROUP 15 - HOOD



19x9502A

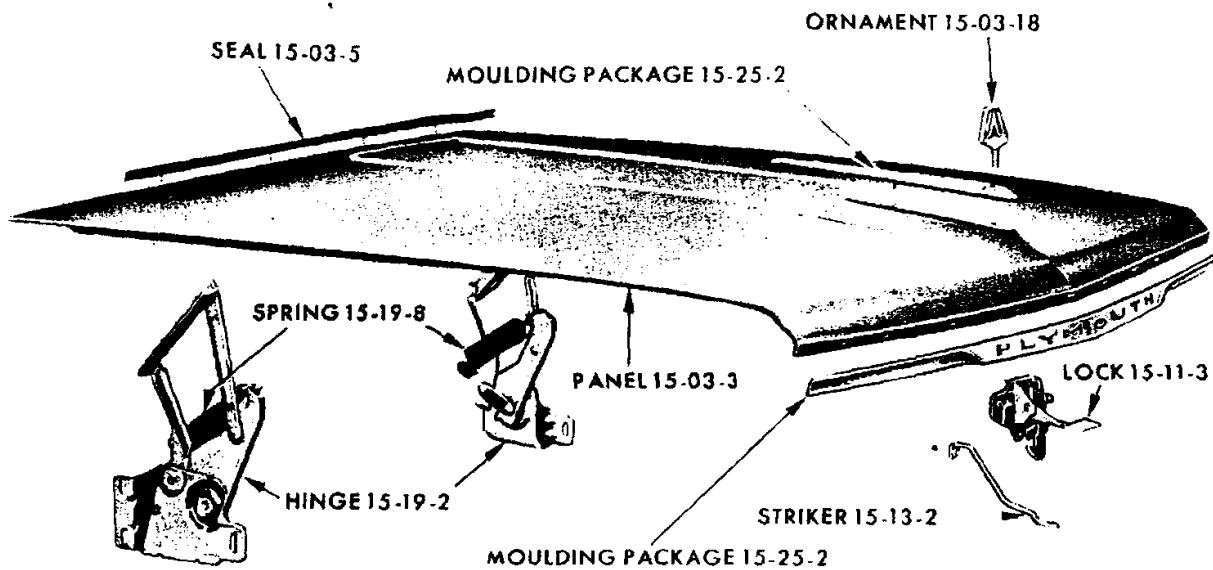
HOOD - VALIANT VV1-2



**PARTS INDICATED
BY NAME ONLY - ORDER
BY DESCRIPTION**

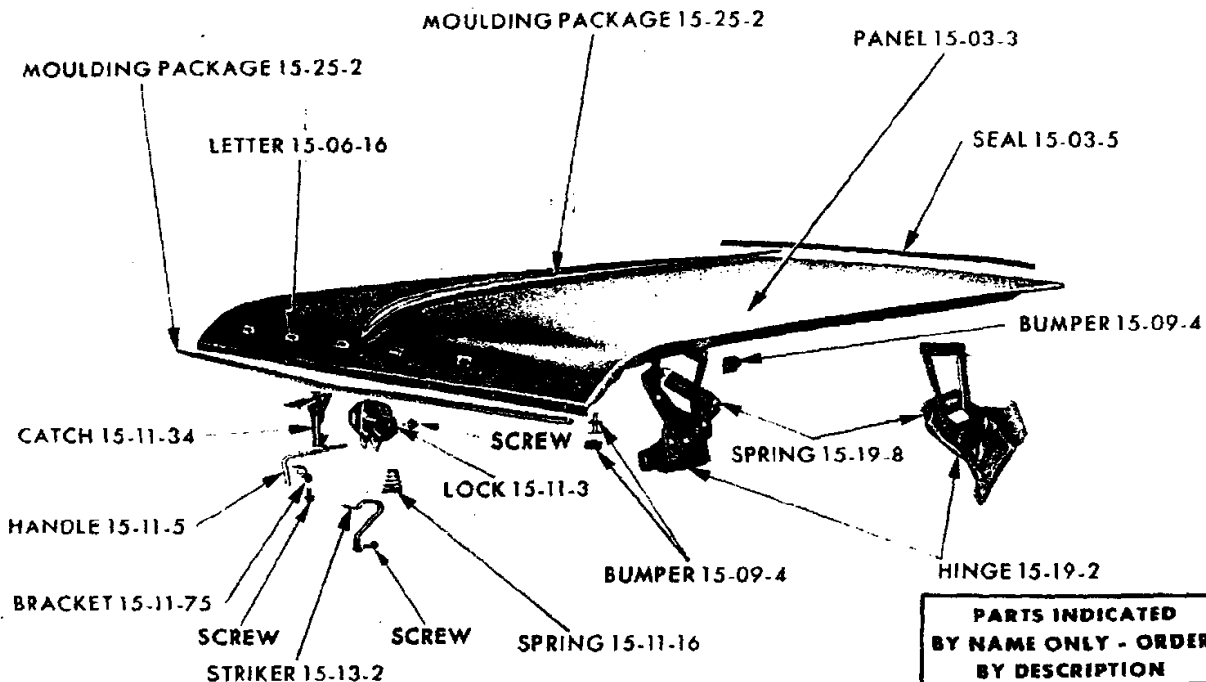
19x9456B

HOOD - DART VL1-2



19x9798

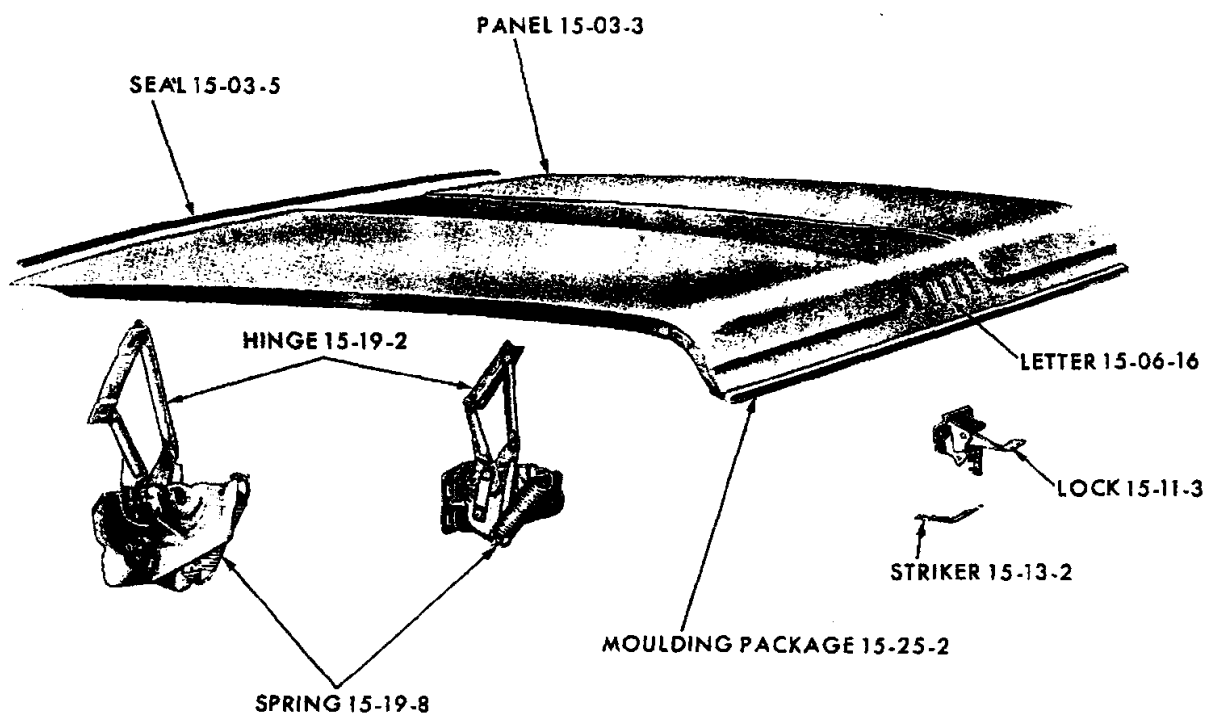
HOOD - PLYMOUTH VP1-2



PARTS INDICATED
BY NAME ONLY - ORDER
BY DESCRIPTION

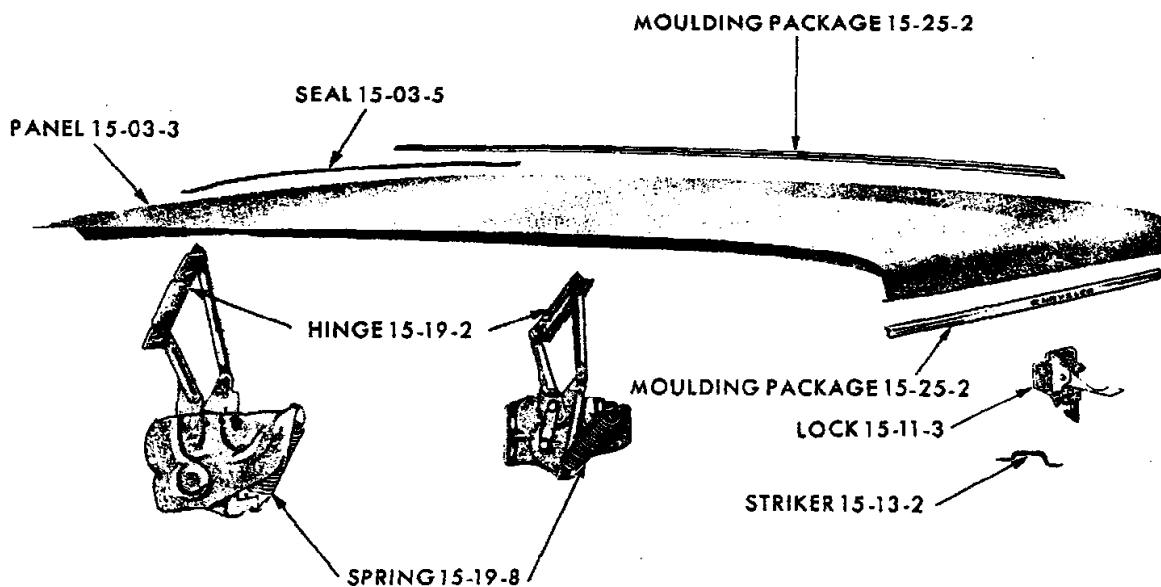
19x9870

HOOD - DODGE VD1-2



19x9606B

HOOD - DODGE VA3



19x9457B

HOOD - CHRYSLER VC1-2-3

CODE	PART NAME AND DESCRIPTION	C Y L.	PER CAR	VALIANT DART	PLYMOUTH DODGE	CHRYSLER IMPERIAL
15-03-0 HOOD TOP PANEL						
15-03-3	PANEL, VV1, VV2		1	2425 362		
	VL1, VL2		1	*2425 594		
	VV1P, VV2P, Barracuda		1	2493 580		
	VP1, VP2		1	----	2425 692	
	VD1, VD2		1	----	2425 539	
	VA3	8	1	----	2493 129	
	VC1, VC2, VC3	8	1	----	----	2425 805
	VY1	8	1	----	----	2425 550
15-03-5	SEAL, Hood to Cowl, w/FASTENER		1	2217 348	2217 348	
	Hood to Cowl, VA3, VC1, VC2, VC3	8	1	----	2165 551	2165 551
	Hood to Yoke, VC1, VC2, VC3	8	★	----	----	1242 974
	Hood to Yoke, VY1		1	2445 710	----	2445 103
	CLIP, to Cowl		★	6010 094	6010 094	6010 094
	CLIP, to Yoke	8	8	----	----	6006 104
15-03-18	ORNAMENT, Hood Top					
	NOTE: See Exterior Moulding Illustrations in Front of Group 23 Body.					
15-03-80	SILENCER, VV1, VV2		1	2417 109		
	VL1, VL2		1	2445 948		
	VP1, VP2		1	----	2417 841	
	VD1, VD2		1	----	2417 544	
	VA3, VC1, VC2, VC3	8	1	----	2445 949	2445 949
	VY1	8	1	----	----	2417 647
	CLIP		★	6000 932	6000 932	6000 932
15-03-64	SCOOP, Hood Outer Panel Air, 426 cu.in. Eng.		1	----	E2578 711	
15-03-65	PLATE, w/SEALS, Hood Air Scoop Adapter		1	----	E2578 746	
15-03-87	SEAL, Hood Air Scoop Adapter Plate		2	----	E2578 645	
15-06-0 HOOD NAME PLATE, MEDALLION AND LETTERS						
	NOTE: See Exterior Moulding Illustrations in Front of Group 23 Body.					
15-09-0 HOOD BUMPER						
15-09-4	BUMPER, Hood to Fender, VV1, VV2, VL1, VL2, VY1		2	2276 917	----	2417 574
	Hood to Fender (also specify 2-6025 128 Screw)	8	2	----	*2276 804	
	Hood to Fender Spacing, Front, VD1, VD2, VA3		2	----	2417 523	
	Hood to Fender Spacing, Rear, VD1, VD2, VA3		2	----	2417 908	
	Hood to Fender Spacing, VP1, VP2		2	----	2417 875	
	Hood to Fender Leveling, VP1, VP2, VD1, VD2, VC1, VC2, VC3		2	----	2276 749	2276 749
	Hood to Radiator Yoke Side Panel Crossmember (also specify 2-6023531 Screw)	6	2	2276 804		
	Hood to Radiator Cross Bar, VP1, VP2, VC1, VC2, VC3		2	----	2276 804	2276 804
	Hood to Fender Side Extension Panel, VC1, VC2, VC3	8	2	----	----	2276 885
15-11-0 HOOD LOCK						
15-11-3	LOCK, VV1, VV2, VD1, VD2		1	2428 400	2428 400	
	VL1, VL2, VP1, VP2, VA3, VC1, VC2, VC3		1	2520 370	2520 370	2520 370
	VY1	8	1	----	----	2486 022

★ Indicates use as required.

Numerals in parentheses () refer to notes.

Printed in U.S.A.

⊠ Indicates parts not listed in any previous parts book.

Prices and specifications subject to change without notice.

• Indicates change or addition.

1964 PASSENGER CAR PARTS CATALOG

HOOD

CODE	PART NAME AND DESCRIPTION	CYL	PER CAR	VALIANT DART	PLYMOUTH DODGE	CHRYSLER IMPERIAL
15-11-0 HOOD LOCK - Cont'd						
15-11-5	HANDLE, Hood Lock Release, VV1, VV2		1	2428 136		
	VV1-P, VV2-P		1	*2486 988		
	VD1, VD2		1	----	2486 864	
15-11-6	EXTENSION, Release Handle, VC2	8	1	----	----	2520 346
15-11-7	BRACE, Lock Vertical, VP1, VP2		1	----	2417 324	
	VD1, VD2		1	----	2445 101	
	VA3	8	1	----	2417 301	
	VC1, VC2, VC3	8	1	----	----	2276 427
15-11-16	SPRING, Hood Lock Pop-Up		1	----	2299 599	2299 599
15-11-17	CLIP, Hood Lock Release Handle Spring, VV1P, VV2P, VD1, VD2		1	*2486 914	2486 914	
15-11-34	CATCH, Lock Safety, VV1	6	1	2428 142		
	CATCH, w/Release HANDLE, VD1, VC2, VY1		1	----	2486 016	2486 016
	SCREW		2	180 024	180 024	180 024
15-11-35	STRIKER, Hood Lock Safety Catch, VL1, VL2	6-8	1	2520 373		
	VP1, VP2, VA3	6-8	1	----	2520 372	
	VC1, VC2, VC3		1	----	----	2520 374
15-11-38	SPRING, Lock Latch to Pawl		1	2428 125	2428 125	2428 125
	Lock Safety Catch, except VY1	8	1	2428 120	2428 120	2428 120
15-11-46	SUPPORT, Lock Vertical, VL1, VL2		1	2524 768		
	VV1, VV2		1	B2578 626		
	VP1, VP2		1	----	2417 321	
	VD1, VD2		1	----	2417 538	
	VA3, VC1, VC2, VC3	8	1	----	2417 600	2417 600
	VY1	8	1	----	----	2417 478
	"J" NUT, VL1, VP1, VP2, VA3		★	6023 168		
	"J" NUT, VV1	6	★	6023 478		
	"J" NUT, VC1, VC2, VC3	8	★	----		6023 155
	SCREW, w/WASHER		★	6022 307	6022 307	6022 307
15-11-53	REINFORCEMENT, Lock Vertical Brace, VC1, VC2, VC3	8	1	----	----	2417 138
15-11-58	PLATE, Lock Support to Yoke, VV1, VV2		1	2417 105		
	VV1-P, VV2-P		1	*2445 702		
15-13-0 HOOD LOCK STRIKER						
15-13-2	STRIKER, VV1, VV2		1	2486 961		
	VL1, VL2		1	2486 941		
	VP1, VP2		1	----	2486 942	
	VD1, VD2		1	----	2486 962	
	VA3	8	1	----	2486 944	
	VC1, VC2, VC3	8	1	----	----	2486 945
	VY1	8	1	----	----	2486 943
	SCREW, w/WASHER		2	180 021	180 021	180 021
15-14-0 HOOD LOCK CONTROL						
15-14-1	CONTROL, On Instrument Panel, VY1	8	1	----	----	2486 463
15-14-7	BRACKET, Hood Release Cable Support to Hood Lock Plate, VY1	8	1	----	----	2486 077
15-14-12	STOP, Control Cable, VY1	8	1	----	----	932 143

★ Indicates use as required.

Numerals in parentheses () refer to notes.

Printed in U.S.A.

⊞ Indicates parts not listed in any previous parts book.

Prices and specifications subject to change without notice.

March 15, 1965 Supersedes March 16, 1964.

* Indicates change or addition.

CODE	PART NAME AND DESCRIPTION	C Y L	PER CAR	VALIANT DART	PLYMOUTH DODGE	CHRYSLER IMPERIAL
15-14-0 HOOD LOCK CONTROL - Cont'd						
15-14-13	SCREW, Cable Stop, VY1	8	1	----	----	988 098
15-14-20	GROMMET, Control Cable, VY1	8	1	----	----	2161 290
15-14-21	SLEEVE, Control Cable, VY1	8	1	----	----	2097 055
15-19-0 HOOD HINGE						
15-19-2	HINGE, Right		1	2243 282		
	Left		1	2243 283		
	Right, except VA3		1	----	2486 196	
	Left, except VA3		1	----	2486 197	
	Right, VA3, VC1, VC2, VC3	8	1	----	1903 440	1903 440
	Left, VA3, VC1, VC2, VC3	8	1	----	1903 441	1903 441
	Right, VY1	8	1	----	----	2428 418
	Left, VY1	8	1	----	----	2428 419
	NUT, Hinge to Body	6	2	6023 350		
	SCREW, Hinge to Hood	6	4	180 078		
	SCREW, Hinge Attaching		10	----	180 078	
	SCREW, Hinge to Stone Shield, VA3, VC1, VC2, VC3	8	2	----	180 081	180 081
	SCREW, w/WASHER, Hinge to Hood, VA3, VC1, VC2, VC3	8	4	----	180 078	180 078
	SCREW, w/WASHER, Hinge to Cowl, VA3, VC1, VC2, VC3	8	4	----	180 078	180 078
	SCREW, Hinge Plate to Hood, VY1	8	6	----	----	180 078
	SCREW, Hinge to Cowl, Right Side, VY1	8	2	----	----	180 078
15-19-3	SPACER, Hinge to Body		2	1706 470		
15-19-8	SPRING, Hinge, VP1, VP2, VD1, VD2		2	----	2486 190	
	VA3, VC1, VC2, VC3	8	2	----	2299 598	2299 598
	VY1	8	2	----	----	2428 389
15-19-46	BAR, Hood Hinge, Right		1	2428 148		
	Left		1	2428 149		
15-19-47	BRACKET, Torsion Bar Anti-Rattle		1	2492 642		
15-19-48	BUSHING, Hood Hinge Torsion Bar Roller		4	E2583 236		
15-25-0 HOOD MOULDING						
NOTE: See Exterior Moulding Illustrations in Front of Group 23 Body.						
15-25-17	SPACER, Hood Top Moulding, Front, VD1-H, VD2-H, VD2-P		1	----	2445 121	
	Rear, VD1-H, VD2-H, VD2-P		1	----	2445 120	
	RETAINER, w/SEAL, Hood Front Moulding, VD1, VD2		1	----	6001 721	

NOTES

★ Indicates use as required.

Numerals in parentheses () refer to notes.

Printed in U.S.A.

Ⓜ Indicates parts not listed in any previous parts book.

Prices and specifications subject to change without notice.

* Indicates change or addition.

March 15, 1965 Supersedes March 16, 1964.

