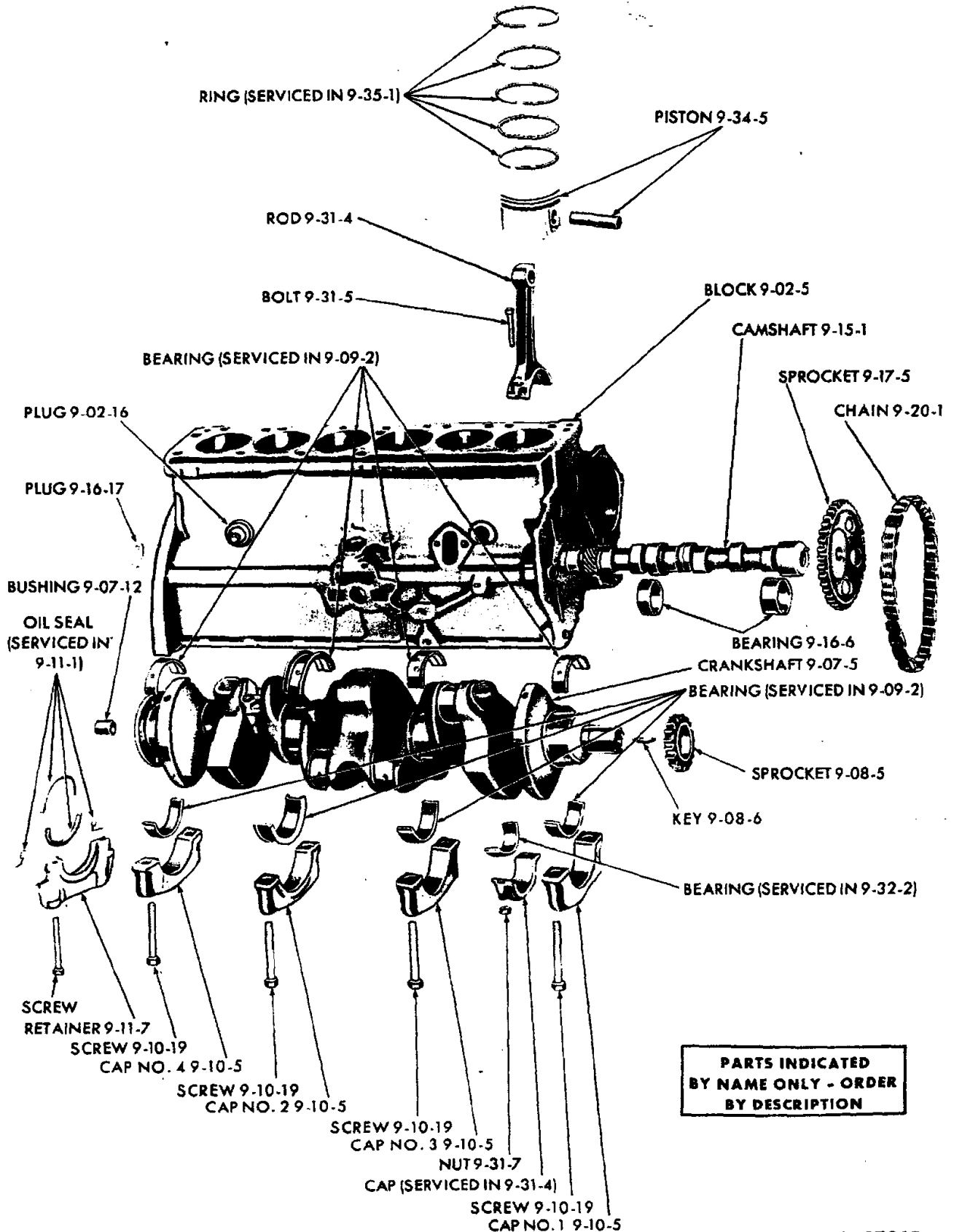


GROUP 9 - ENGINE

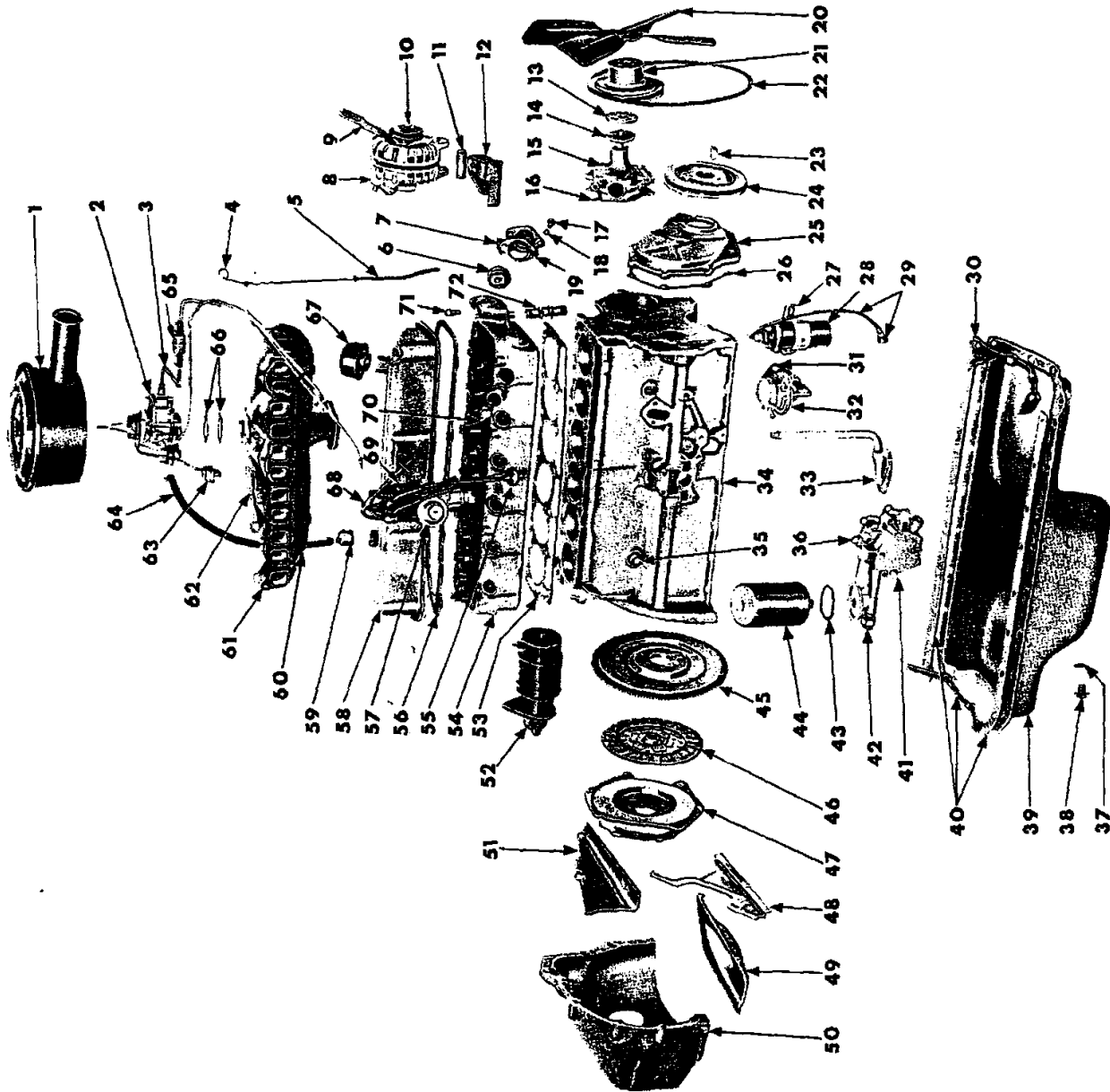


**PARTS INDICATED  
BY NAME ONLY - ORDER  
BY DESCRIPTION**

19x8786B

SHORT ENGINE (6 CYLINDER) - 170 AND 225 CU. IN. DISPLACEMENT

19L8794C

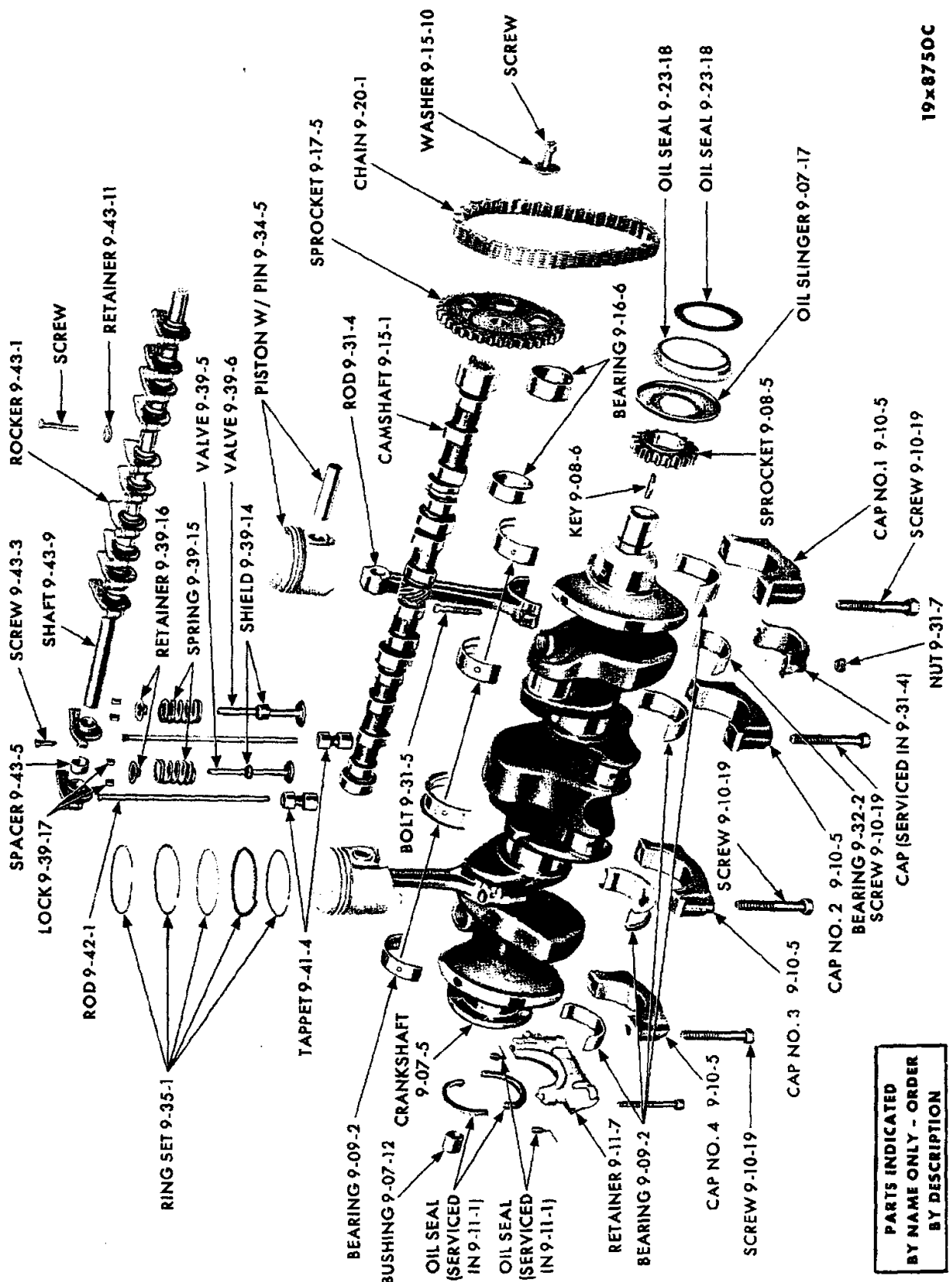


ENGINE EXTERNAL PARTS (6 CYLINDER) - 170 AND 225 CU. IN. DISPLACEMENT

## ENGINE EXTERNAL PARTS (6 CYLINDER) - 170 AND 225 CU. IN. DISPLACEMENT

Ref. No.	Name	Part Type Code	Ref. No.	Name	Part Type Code
1	Air Cleaner . . . . .	14-29-2	37	Gasket . . . . .	10-24-38
2	Carburetor . . . . .	14-30-1	38	Plug . . . . .	10-24-37
3	Tube . . . . .	14-89-2	39	Pan . . . . .	10-24-4
4	Indicator . . . . .	10-03-4	40	Gasket (Serviced in 10-24-1) . . . . .	
5	Tube . . . . .	10-03-7	41	Pump . . . . .	10-07-8
6	Thermostat . . . . .	7-41-4	42	Cap . . . . .	10-22-40
7	Elbow . . . . .	9-05-5	43	Gasket (Serviced in 10-26-6) . . . . .	
8	Alternator . . . . .	8-28-3	44	Filter . . . . .	10-26-6
9	Strap . . . . .	8-28-15	45	Flywheel . . . . .	9-45-1
10	Pulley . . . . .	8-28-297	46	Disc . . . . .	6-13-1
11	Spacer . . . . .	Not Serviced	47	Cover, w/Plate . . . . .	6-14-1
12	Bracket . . . . .	8-28-36	48	Seal . . . . .	6-10-10
13	Spacer . . . . .	7-02-16	49	Pan . . . . .	6-10-2
14	Hub . . . . .	7-05-1	50	Housing . . . . .	6-09-1
15	Pump Package . . . . .	7-42-1	51	Strut . . . . .	6-09-11
16	Gasket . . . . .	7-44-4	52	Starter . . . . .	8-52-4
17	Screw . . . . .		53	Gasket . . . . .	9-03-5
18	Washer . . . . .		54	Head . . . . .	9-03-4
19	Gasket . . . . .	9-05-6	55	Cover . . . . .	8-36-117
20	Fan . . . . .	7-02-1	56	Gasket . . . . .	9-03-29
21	Pulley . . . . .	7-06-14	57	Distributor . . . . .	8-27-1
22	Belt . . . . .	7-03-1	58	Cover . . . . .	9-03-28
23	Key . . . . .	9-08-5	59	Cap . . . . .	10-02-66
24	Damper . . . . .	9-13-5	60	Manifold . . . . .	9-48-6
25	Cover . . . . .	9-23-5	61	Gasket (Serviced in 9-50-1) . . . . .	
26	Gasket . . . . .	9-23-17	62	Manifold . . . . .	9-48-7
27	Bracket . . . . .	8-35-41	63	Choke . . . . .	14-39-45
28	Coil . . . . .	8-35-4	64	Hose . . . . .	10-02-53
29	Cable . . . . .	8-36-49	65	Fuel Filter . . . . .	14-67-1
30	Gasket . . . . .	10-24-1	66	Gasket . . . . .	14-30-2
31	Gasket . . . . .	14-74-1	67	Air Cleaner . . . . .	10-01-21
32	Pump Package . . . . .	14-73-1	68	Cable Set . . . . .	8-36-1
33	Strainer, w/Pipe . . . . .	10-23-7	69	Cap . . . . .	8-27-71
34	Block . . . . .	9-02-5	70	Spark Plug . . . . .	8-36-114
35	Plug . . . . .		71	Sending Unit . . . . .	8-37-155
36	Gasket . . . . .	10-07-11	72	Hose, Water Pump By-Pass . . . . .	7-14-9

PARTS INDICATED BY NAME ONLY - ORDER BY DESCRIPTION

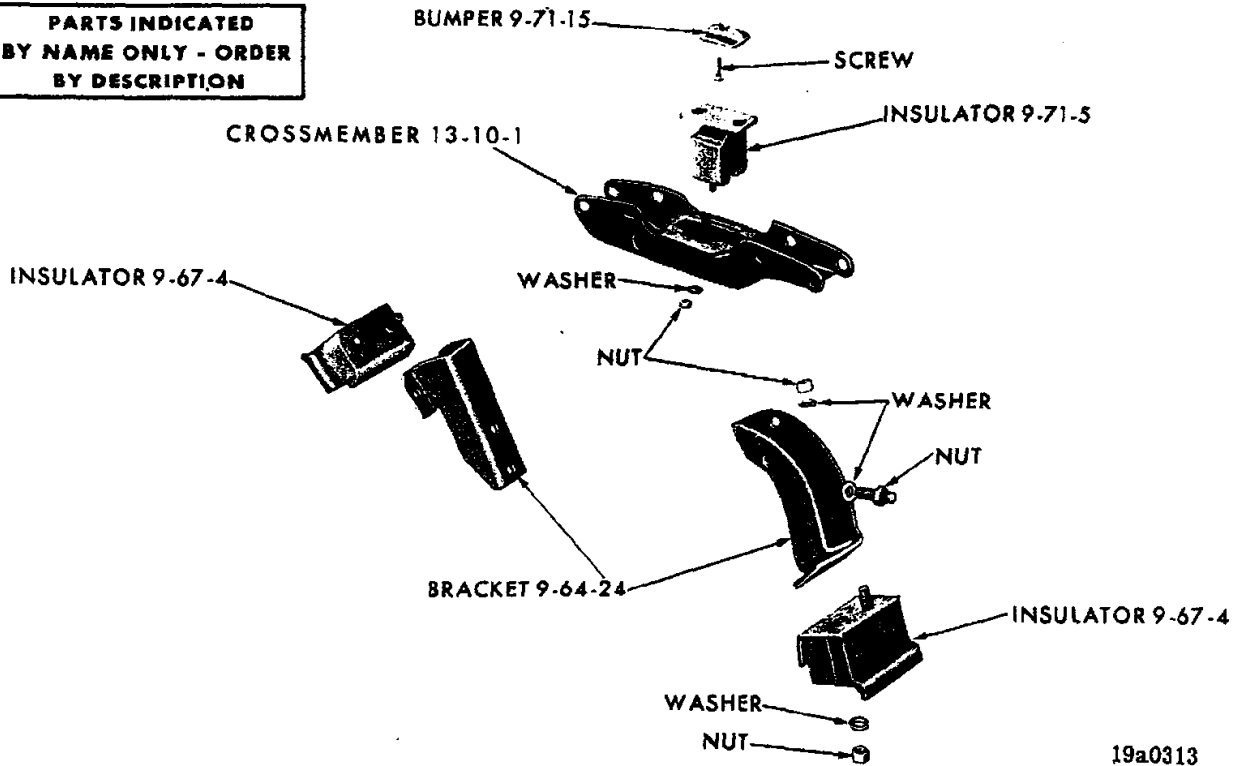


19x8750C

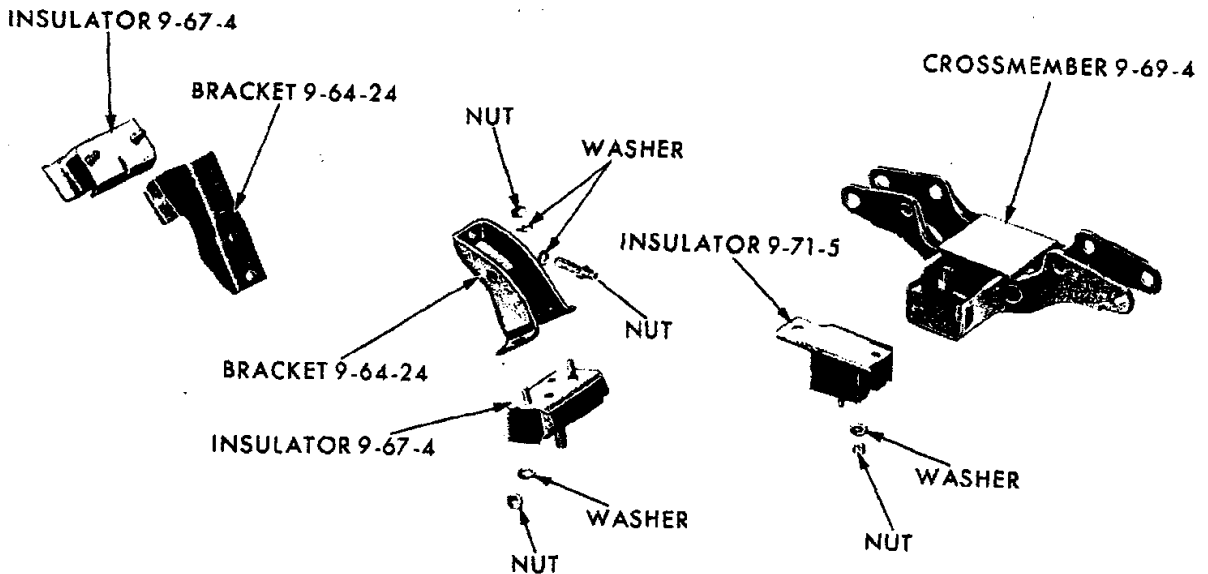
PARTS INDICATED BY NAME ONLY - ORDER BY DESCRIPTION

ENGINE INTERNAL PARTS (6 CYLINDER) - 170 AND 225 CU. IN. DISPLACEMENT

PARTS INDICATED  
BY NAME ONLY - ORDER  
BY DESCRIPTION



ENGINE MOUNTINGS (6 CYLINDER) - VALIANT VV1 AND DART VL1

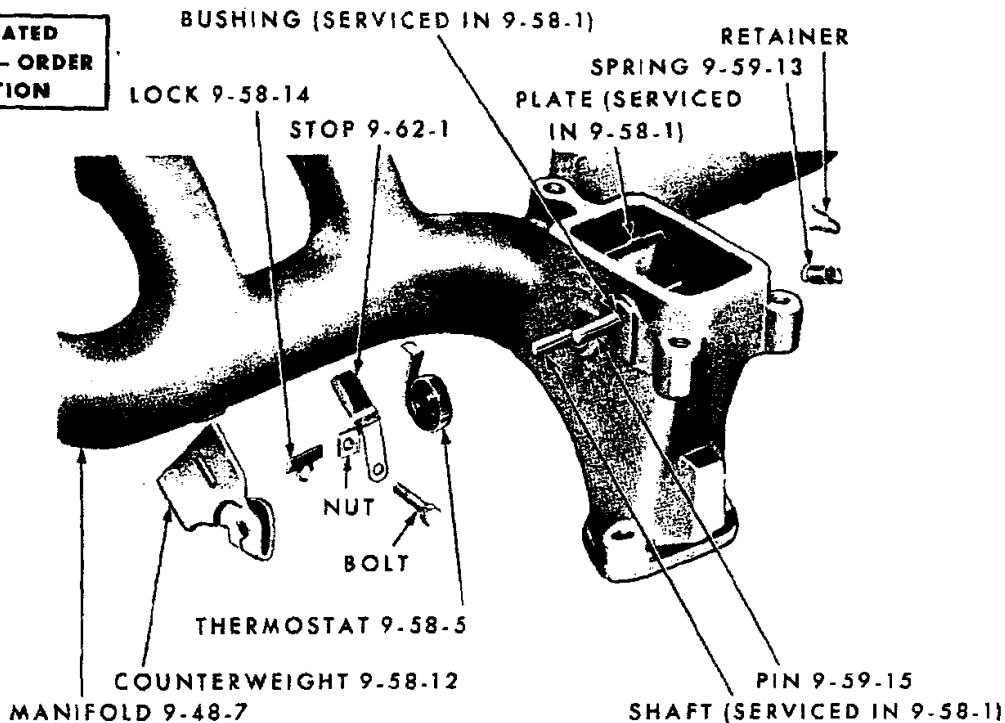


PARTS INDICATED  
BY NAME ONLY - ORDER  
BY DESCRIPTION

19x9336A

ENGINE MOUNTINGS (6 CYLINDER) - PLYMOUTH VP1 AND DODGE VD1

PARTS INDICATED  
BY NAME ONLY - ORDER  
BY DESCRIPTION



19a0315

ENGINE MANIFOLD HEAT CONTROLS - 6 CYLINDER

---

---

---

---

---

---

---

---

---

---

---

---

---

---

---

---

---

---

---

---

---

---

---

---

## IMPORTANT

ENGINE PARTS IN GROUP 9 ARE NOW LISTED UNDER THE CUBIC INCH DISPLACEMENT ENGINE TO WHICH THEY APPLY RATHER THAN BY CAR LINE AS IN EARLIER CATALOGS, AND OTHER GROUPS OF THIS CATALOG. COLUMN HEADINGS INDICATING "CUBIC INCH DISPLACEMENT" HAVE REPLACED THE USUAL "VALIANT-DART" "PLYMOUTH-DODGE", ETC., HEADINGS.

TO IDENTIFY ENGINES, SEE "ENGINE IDENTIFICATION NUMBERS" IN THE GENERAL INFORMATION SECTION.

IN ADDITION, 6 AND 8 CYLINDER ENGINES ARE LISTED IN SEPARATE SECTIONS OF THIS CATALOG.

CODE	PART NAME AND DESCRIPTION	PER CAR	CUBIC INCH DISPLACEMENT	
			170	225

## SIX CYLINDER ENGINES

NOTE: The following symbols are used in connection with engine numbers.  
 Engine numbers without symbols indicate "Standard Cylinders and Crankshaft Bearings".  
 The Letter "A" immediately following the engine identification number indicates Bore .020" (.508 MM) Larger than Standard.  
 The Letter "B" immediately following the engine identification number indicates Main and Connecting Rod Bearings .010" (.245 MM) Smaller than Standard.  
 The Letters "AB" immediately following the engine identification number indicates cylinder Bore .020" (.508 MM) Larger than Standard and the Main and Connecting Rod Bearings .010" (.254 MM) Smaller than Standard.  
 The Letters in the circular pads at either end of the engine number are for the use of factory inspectors only and should not be connected with the engine number.  
 Always mention Serial Numbers when ordering major assemblies.

## 9-01-0 ENGINE ASSEMBLY

9-01-5	GASKET SET, Engine . . . . .	1	*2585 200	*2585 200
NOTE: Short Engine Assemblies Consist of: The Cylinder Block with Pistons and Rings, Crankshaft and Bearings, Connecting Rods and Bearings, Camshaft and Bearings, Camshaft Thrust Plate, Camshaft and Crankshaft Sprockets and Timing Chain.				
9-01-24	SHORT ENGINE, VV1, VL1 . . . . .	1	2463 675	
	w/Low Compression, Export, VV1, VL1 . . . . .	1	2463 677	
	VV1, VL1, VP1, VD1 . . . . .	1	----	2463 683
	w/Low Compression, Export, VV1, VL1, VP1, VD1 . . . . .	1	----	2463 685

## 9-02-0 CYLINDER BLOCK

9-02-5	BLOCK, w/PISTONS and RINGS, VV1, VL1 . . . . .	1	2463 395	
	w/Low Compression, Export, VV1, VL1 . . . . .	1	2463 396	
	VV1, VL1, VP1, VD1 . . . . .	1	----	2463 399
	w/Low Compression, Export, VV1, VL1, VP1, VD1 . . . . .	1	----	2463 400
9-02-7	DOWEL, Cylinder Block to Clutch Housing or Torque Converter Housing . . . . .	2	1122 532	1122 532
9-02-18	PLUG, Water Hole . . . . .	3	2406 356	2406 356
	PLUG, Cylinder Block Camshaft Rear Bearing . . . . .	*	2402 649	2402 649

## 9-03-0 CYLINDER HEAD

9-03-4	HEAD . . . . .	1	2463 476	2463 476
9-03-5	GASKET . . . . .	1	1947 578	1947 578
9-03-10	SCREW . . . . .	14	1947 687	1947 687
9-03-28	COVER . . . . .	1	2406 621	2406 621
9-03-29	GASKET, Cover . . . . .	1	2406 625	2406 625

## 9-05-0 CYLINDER HEAD WATER OUTLET ELBOW

9-05-5	ELBOW . . . . .	1	2121 524	2121 524
9-05-6	GASKET . . . . .	1	1947 671	1947 671

\* Indicates use as required.

⊠ Indicates parts not listed in any previous parts book.

\* Indicates change or addition.

Numerals in parentheses ( ) refer to notes.

Printed in U.S.A.

Prices and specifications subject to change without notice.

Page 9-7

March 15, 1965 Supersedes March 16, 1964.

CODE	PART NAME AND DESCRIPTION	PER CAR	CUBIC INCH DISPLACEMENT	
			170	225

## SIX CYLINDER ENGINES

### 9-07-0 CRANKSHAFT

9-07-5	CRANKSHAFT, VV1, VL1	1	2264 173	
	VV1, VL1, VP1, VD1	1	----	2268 442
9-07-8	BOLT, Crankshaft Pulley, w/Air Conditioning	1	1821 177	1821 177
9-07-12	BUSHING, Crankshaft Transmission Drive Pinion	1	53 298	53 298
9-07-17	OIL SLINGER	1	1618 686	1618 686
9-07-22	WASHER, Crankshaft Pulley, w/Air Conditioning	1	1855 561	1855 561

### 9-08-0 CRANKSHAFT SPROCKET

9-08-5	SPROCKET	1	2128 912	2128 912
	KEY	1	152 191	152 191

### 9-09-0 CRANKSHAFT BEARING PACKAGE

NOTE: When .001 thicker wall crankshaft main bearings are used for engines in production on identification mark is stamped on the machined surface of the crankshaft center counterweight for six cylinder engines. When the thicker wall crankshaft bearings are used the crankshaft will be marked M1, M2, M3, M4 depending on which journal has the .001 thicker wall bearing.

NOTE: Crankshaft Bearing Packages consist of one upper and one lower bearing.

9-09-2	BEARING PACKAGE, No. 1 Std.	1	2240 368	2240 368
	No. 3 Std.	1	2240 372	2240 372
	Nos. 2 and 4 Std.	2	2240 376	2240 376
	No. 1 .001 U/S.	1	2240 369	2240 369
	No. 3 .001 U/S.	1	2240 373	2240 373
	Nos. 2 and 4 .001 U/S.	2	2240 377	2240 377
	No. 1 .002 U/S.	1	2240 370	2240 370
	No. 3 .002 U/S.	1	2240 374	2240 374
	Nos. 2 and 4 .002 U/S.	2	2240 378	2240 378
	No. 1 .003 U/S.	1	2275 381	2275 381
	No. 3 .003 U/S.	1	2275 385	2275 385
	Nos. 2 and 4 .003 U/S.	2	2275 383	2275 383
	No. 1 .010 U/S.	1	2240 371	2240 371
	No. 3 .010 U/S.	1	2240 375	2240 375
	Nos. 2 and 4 .010 U/S.	2	2240 379	2240 379
	No. 1 .012 U/S.	1	2275 382	2275 382
	No. 3 .012 U/S.	1	2275 386	2275 386
	Nos. 2 and 4 .012 U/S.	2	2275 384	2275 384

### 9-10-0 CRANKSHAFT BEARING CAP

9-10-5	CAP, Nos. 1 and 2	2	2084 403	2084 403
	No. 3	1	2084 405	2084 405
	No. 4	1	2084 404	2084 404
9-10-10	SCREW, Bearing Cap	8	1408 867	1408 867

### 9-11-0 CRANKSHAFT REAR BEARING OIL SEAL

9-11-1	OIL SEAL PACKAGE	1	2084 411	2084 411
9-11-7	RETAINER	1	1947 557	1947 557

### 9-13-0 CRANKSHAFT VIBRATION DAMPER

9-13-5	DAMPER	1	2269 076	2269 076
--------	--------	---	----------	----------

### 9-15-0 CAMSHAFT

9-15-1	CAMSHAFT	1	2264 105	2264 105
9-15-10	WASHER, Sprocket Retaining Screw	1	1739 607	1739 607

★ Indicates use as required.

⊠ Indicates parts not listed in any previous parts book.

March 15, 1965 Supersedes March 16, 1964.

Numerals in parentheses ( ) refer to notes.

Prices and specifications subject to change without notice.

\* Indicates change or addition.



CODE	PART NAME AND DESCRIPTION	PER CAR	CUBIC INCH DISPLACEMENT	
			170	225

## SIX CYLINDER ENGINES

### 9-16-0 CAMSHAFT BEARING

9-16-6	BEARING, No. 1	1	2121 725	2121 725
	No. 2	1	1821 772	1821 772
	No. 3	1	2121 726	2121 726
	No. 4	1	2121 727	2121 727
	No. 1 .010 O/S.	1	2205 510	2205 510
	No. 2 .010 O/S.	1	2205 512	2205 512
	No. 3 .010 O/S.	1	2205 514	2205 514
	No. 4 .010 O/S.	1	2205 516	2205 516
9-16-17	PLUG, Camshaft Rear Bearing	1	2402 905	2402 905

### 9-17-0 CAMSHAFT SPROCKET

9-17-5	SPROCKET	1	1947 560	1947 560
	WASHER	1	6023 053	6023 053

### 9-20-0 TIMING CHAIN

9-20-1	CHAIN	1	2202 499	2202 499
--------	-------	---	----------	----------

### 9-23-0 CHAIN CASE COVER

9-23-5	COVER	1	2203 106	2203 106
9-23-10	SCREW, w/WASHER	6	180 077	180 077
		1	6024 246	6024 246
9-23-17	GASKET	1	1947 554	1947 554
9-23-18	OIL SEAL	1	1947 581	1947 581
9-23-40	INDICATOR, Timing	1	2269 078	2269 078

### 9-31-0 CONNECTING ROD

NOTE: Connecting Rod includes Bearing Cap, Bolt, Nut, Lockwasher and Bushing but does not include Bearing.

9-31-4	ROD, VV1, VL1	6	1947 165	
	VV1, VL1, VP1, VD1	6	----	E2406 657
9-31-5	BOLT, Bearing Cap	12	1944 865	1944 865
9-31-7	NUT, Cap Bolt	★	1737 695	1737 695

### 9-32-0 CONNECTING ROD BEARING PACKAGES

NOTE: When .001 thicker wall connecting rod bearings are used for engines in production an identification mark is stamped on the machined surface of the crankshaft center counterweight. When the thicker wall connecting rod bearings are used the crankshaft will be marked R1, R2, R3 or R4 depending on which journal has the .001 thicker wall bearing.

NOTE: Connecting rod bearing packages consist of one upper and one lower bearing.

9-32-2	BEARING PACKAGE, Std.	6	2421 356	2421 356
	.001 U/S.	6	2084 381	2084 381
	.002 U/S.	6	2084 382	2084 382
	.003 U/S.	6	2275 411	2275 411
	.010 U/S.	6	2421 360	2421 360
	.012 U/S.	6	2275 412	2275 412

★ Indicates use as required.

Numerals in parentheses ( ) refer to notes.

Printed in U.S.A.

E Indicates parts not listed in any previous parts book.

Prices and specifications subject to change without notice.

\* Indicates change or addition.

Page 9-9

March 15, 1965 Supersedes Sept. 6, 1963.

CODE	PART NAME AND DESCRIPTION	PER CAR	CUBIC INCH DISPLACEMENT	
			170	225

**SIX CYLINDER ENGINES**

**9-34-0 PISTON, W/PINS**

NOTE: The following pistons include pin and pin retaining rings.

9-34-5	PISTON, Std. 3.40" Bore	6	2084 384	2084 384
	.005 O/S. from 3.40" Bore	6	2084 385	2084 385
	.020 O/S. from 3.40" Bore	6	2084 386	2084 386
	.040 O/S. from 3.40" Bore	6	2084 387	2084 387
	Std. 3.40" Bore, Low Comp. Export	6	2084 388	2084 388
	.005 O/S. from 3.40" Bore, Low Comp. Export	6	2084 389	2084 389
	.020 O/S. from 3.40" Bore, Low Comp. Export	6	2084 390	2084 390

**9-35-0 PISTON RING SETS**

9-35-1	SET, Piston Ring, Std. to .009 O/S. from 3.40" Bore	1	2448 735	2448 735
	.020 to .029 O/S. from 3.40" Bore	1	2275 440	2275 440
	.040 to .049 O/S. from 3.40" Bore	1	2275 441	2275 441

**9-39-0 VALVE**

9-39-1	GASKET PACKAGE, Valve Grinding	1	2448 714	2448 714
9-39-5	VALVE, Intake, Std.	6	1947 623	1947 623
	.005 O/S.	6	2121 578	2121 578
	.015 O/S.	6	2121 579	2121 579
	.030 O/S.	6	2121 580	2121 580
9-39-6	VALVE, Exhaust Std.	6	1947 624	1947 624
	.005 O/S.	6	2121 581	2121 581
	.015 O/S.	6	2121 582	2121 582
	.030 O/S.	6	2121 583	2121 583
9-39-14	SHIELD, Intake Valve Stem Oil	6	2205 958	2205 958
	SHIELD, Exhaust Valve Stem Oil	6	2205 959	2205 959
9-39-15	SPRING	12	1739 534	1739 534
9-39-16	RETAINER	12	E2402 045	E2402 045
9-39-17	LOCK, Intake Valve Spring Retainer	12	381 875	381 875
	LOCK, Exhaust Valve Spring Retainer	12	1614 666	1614 666

**9-41-0 VALVE TAPPET**

9-41-4	TAPPET, Std.	12	2203 250	2203 250
	.001 O/S.	12	2203 252	2203 252
	.008 O/S.	12	*2269 024	*2269 024
	.030 O/S.	12	1739 359	1739 359

**9-42-0 VALVE PUSH ROD**

9-42-1	ROD, VV1, VL1	12	1947 704	
	VV1, VL1, VP1, VD1	12	----	2120 514

**9-43-0 VALVE ROCKER**

9-43-1	ROCKER	12	1947 594	1947 594
9-43-3	SCREW, Adjusting	12	1855 238	1855 238
9-43-5	SPACER, Short	6	2120 694	2120 694
9-43-9	SHAFT	1	1947 614	1947 614
9-43-11	RETAINER, Shaft End and Intermediate	6	1947 616	1947 616
	Shaft Center	1	1947 617	1947 617
9-43-19	PLUG, Shaft	2	1324 268	1324 268

\* Indicates use as required.

Numerals in parentheses ( ) refer to notes.

Printed in U.S.A.

E Indicates parts not listed in any previous parts book.

Prices and specifications subject to change without notice.

March 15, 1965 Supersedes March 16, 1964.

Page 9-10

\* Indicates change or addition.

CODE	PART NAME AND DESCRIPTION	PER CAR	CUBIC INCH DISPLACEMENT	
			170	225

## SIX CYLINDER ENGINES

### 9-45-0 FLYWHEEL

9-45-1	FLYWHEEL, w/Ring GEAR, except VP1, VD1, Taxi . . . . .	1	*2128 992	*2128 992
	VP1, VD1, Taxi . . . . .	1	----	*2463 843
	VV1, VL1, Export . . . . .	1	----	1947 561
9-45-2	GEAR, Flywheel Ring, except VP1, VD1, Taxi . . . . .	1	2121 196	2121 196
	VP1, VD1, Taxi . . . . .	1	----	1673 646
	VV1, VL1, Export . . . . .	1	----	2121 195
	GEAR, Torque Converter Starter Ring, except VP1, VD1, Police and Taxi . . . . .	1	2121 196	2121 196
	VP1, VD1, Police and Taxi . . . . .	1	----	1941 648

### 9-46-0 TORQUE CONVERTER

9-46-4	TORQUE CONVERTER, except Police and Taxi . . . . .	1	2204 403	2204 403
	VP1, VD1, Police and Taxi . . . . .	1	----	2125 090
	PLUG, Drain . . . . .	1	444 614	444 614
	BOLT, Torque Converter to Crankshaft, VP1, VD1, Police and Taxi . . . . .	6	----	6022 148
9-46-8	PLATE, Torque Converter Drive, except Police and Taxi . . . . .	1	1949 763	1949 763
	VP1, VD1, Police and Taxi . . . . .	1	----	2204 719
9-46-21	SCREW, Drive Plate to Torque Converter . . . . .	4	1949 765	1949 765
	SCREW, Drive Plate to Crankshaft . . . . .	6	1949 424	1949 424
9-46-27	TUBE, Transmission Oil Cooler Inlet and Outlet . . . . .	★	1843 253	1843 253
9-46-31	OIL COOLER, Radiator Core . . . . .	1	1903 792	1903 792
9-46-33	BRACKET, Transmission Oil Cooler Tube . . . . .	1	1949 176	1949 176
9-46-40	ELBOW, Transmission Oil Cooler Tube Inlet . . . . .	1	2205 237	2205 237
9-46-43	NUT, Transmission Oil Cooler Tube Radiator End, Transmission End . . . . .	★	1941 667	1941 667
9-46-61	ADAPTER, Torque Converter Drive Plate, Police and Taxi . . . . .	1	----	2202 472
9-46-94	DOWEL, Cylinder Block to Clutch Housing or Torque Converter Transmission Housing, Eccentric, .007 Over Center . . . . .	★	1736 347	1736 347
	Eccentric .014 Over Center . . . . .	★	1736 348	1736 348
	Eccentric .021 Over Center . . . . .	★	1736 353	1736 353
9-46-130	SEAL, Transmission Torque Converter, Impeller Hub, except Police and Taxi . . . . .	1	2124 705	2124 705
	Police and Taxi . . . . .	1	----	1942 020

### 9-48-0 MANIFOLD

9-48-6	MANIFOLD, Exhaust . . . . .	1	2298 917	2298 917
9-48-7	MANIFOLD, Intake . . . . .	1	2205 902	2205 902
	SCREW, Intake to Exhaust Manifold . . . . .	2	6024 085	6024 085
	WASHER, Intake to Exhaust Manifold Screw . . . . .	1	6022 185	6022 185
9-48-8	CONNECTOR, Intake Manifold Vacuum Control, VP1, VD1 . . . . .	1	----	1858 955
9-48-12	STUD, Intake and Exhaust Manifold . . . . .	★	2121 585	2121 585
9-48-14	WASHER, Intake and Exhaust Manifold Stud . . . . .	4	2121 223	2121 223
		6	2206 416	2206 416
9-48-44	NUT, Exhaust Manifold Stud Upper End . . . . .	2	1947 753	1947 753
9-48-45	WASHER, Exhaust Manifold Stud Upper End . . . . .	2	1947 752	1947 752

★ Indicates use as required.

Numerals in parentheses ( ) refer to notes.

Printed in U.S.A.

□ Indicates parts not listed in any previous parts book.

Prices and specifications subject to change without notice.

\* Indicates change or addition.

CODE	PART NAME AND DESCRIPTION	PER CAR	CUBIC INCH DISPLACEMENT	
			170	225

## SIX CYLINDER ENGINES

### 9-50-0 MANIFOLD GASKETS

9-50-1	GASKET SET, Intake and Exhaust Manifold	1	2084 416	2084 416
9-50-3	GASKET, Intake to Exhaust Manifold	1	2268 264	2268 264

### 9-58-0 MANIFOLD HEAT CONTROL VALVE THERMOSTAT

9-58-1	PACKAGE, Manifold Heat Control	1	*2525 442	*2525 442
9-58-5	THERMOSTAT	1	2121 554	2121 554
9-58-12	COUNTERWEIGHT	1	*2468 307	*2468 307
9-58-13	BOLT, Shield	1	1736 012	1736 012
9-58-14	LOCK, Shield	1	1409 594	1409 594

### 9-59-0 MANIFOLD HEAT CONTROL VALVE

9-59-13	SPRING, Valve	1	<del>2465 208</del> <i>Now. 1558-897.</i>	<del>2465-203</del>
9-59-15	PIN, Valve	1	1639 597	1639 597

### 9-62-0 MANIFOLD HEAT CONTROL VALVE STOP

9-62-1	STOP, Valve	1	2121 455	2121 455
--------	-------------	---	----------	----------

### 9-64-0 ENGINE FRONT SUPPORT

9-64-18	WASHER, Engine Front Support to Frame	2	2128 774	2128 774
9-64-24	BRACKET, Engine Front Support Insulator, Right, VV1, VL1	1	2264 668	2264 668
	Left, VV1, VL1	1	2265 023	2265 023
	Right, VP1, VD1	1	----	2264 678
	Left, VP1, VD1	1	----	2264 679

### 9-67-0 ENGINE FRONT SUPPORT INSULATOR

9-67-4	INSULATOR, Engine Front Support, Right, except Cv. Cp., VV1, VL1	1	2264 140	2264 140
	Left, except Cv. Cp., VV1, VL1	1	2265 018	2265 018
	Right, Cv. Cp., VV1, VL1	1	2406 708	2406 708
	Left, Cv. Cp., VV1, VL1	1	2406 705	2406 705
	Right, w/Four Speed Manual Trans., VV1, VL1	1	2406 708	2406 708
	Left, w/Four Speed Manual Trans., VV1, VL1	1	2406 705	2406 705
	Right, except Police and Taxi, VP1, VD1	1	----	2264 674
	Left, except Police and Taxi, VP1, VD1	1	----	2264 675
	Right, Police and Taxi, VP1, VD1	1	----	2406 672
	Left, Police and Taxi, VP1, VD1	1	----	2406 674
	NUT, Insulator to Frame Bolt	2	6023 353	6023 353

### 9-69-0 FRAME ENGINE REAR SUPPORT CROSSMEMBER

9-69-4	CROSSMEMBER, VV1, VL1	1	2260 287	2260 287
	VP1, VD1	1	----	2265 423
9-69-21	NUT, Engine Rear Support	2	2129 684	2129 684

### 9-71-0 ENGINE REAR SUPPORT INSULATOR

9-71-5	INSULATOR, Engine Rear Support, VV1, VL1	1	2265 836	2265 836
	VP1, VD1	1	----	2265 826
9-71-15	BUMPER, Engine Rear Support Insulator, VV1, VL1	1	2206 965	2206 965

★ Indicates use as required.

Numerals in parentheses ( ) refer to notes.

Printed in U.S.A.

E Indicates parts not listed in any previous parts book.

Prices and specifications subject to change without notice.

March 15, 1965 Supersedes March 16, 1964.

Page 9-12

\* Indicates change or addition.