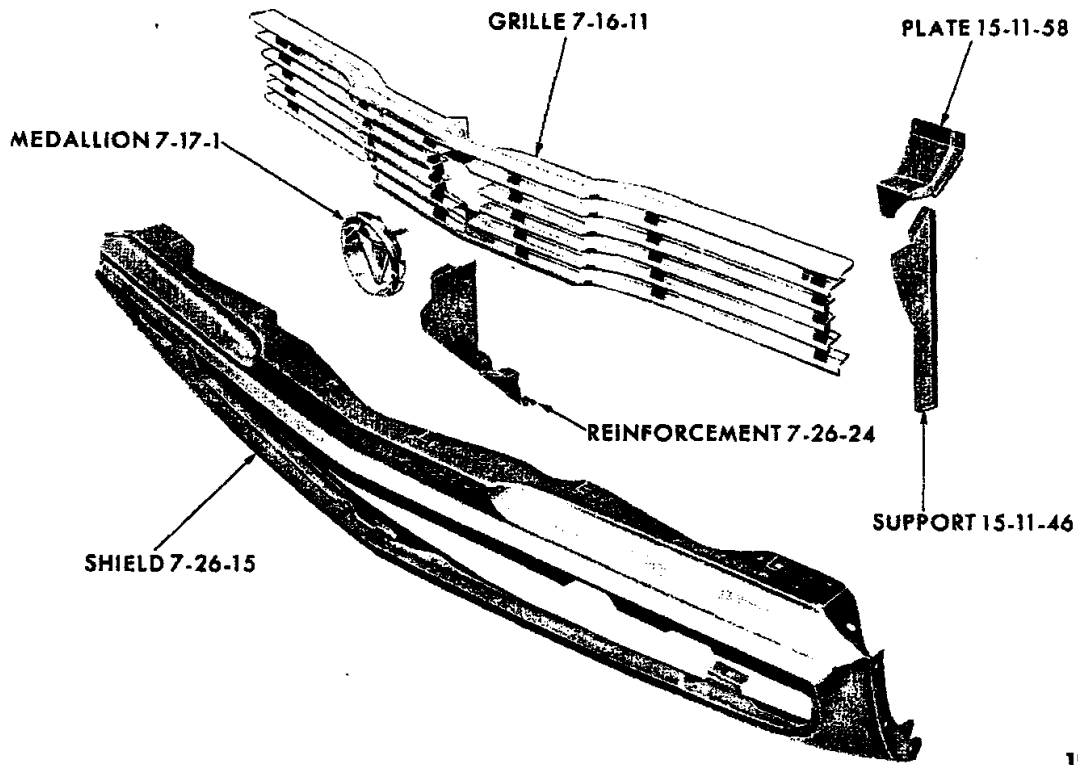
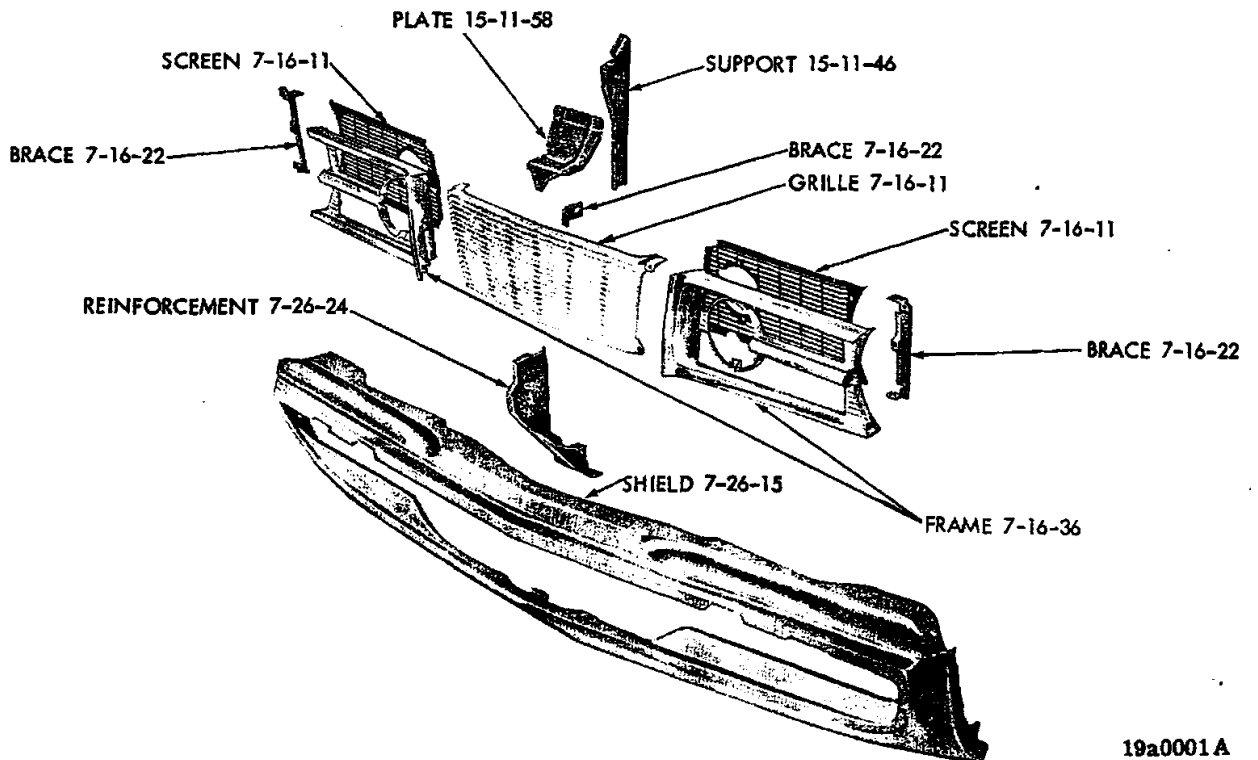


GROUP 7 - COOLING



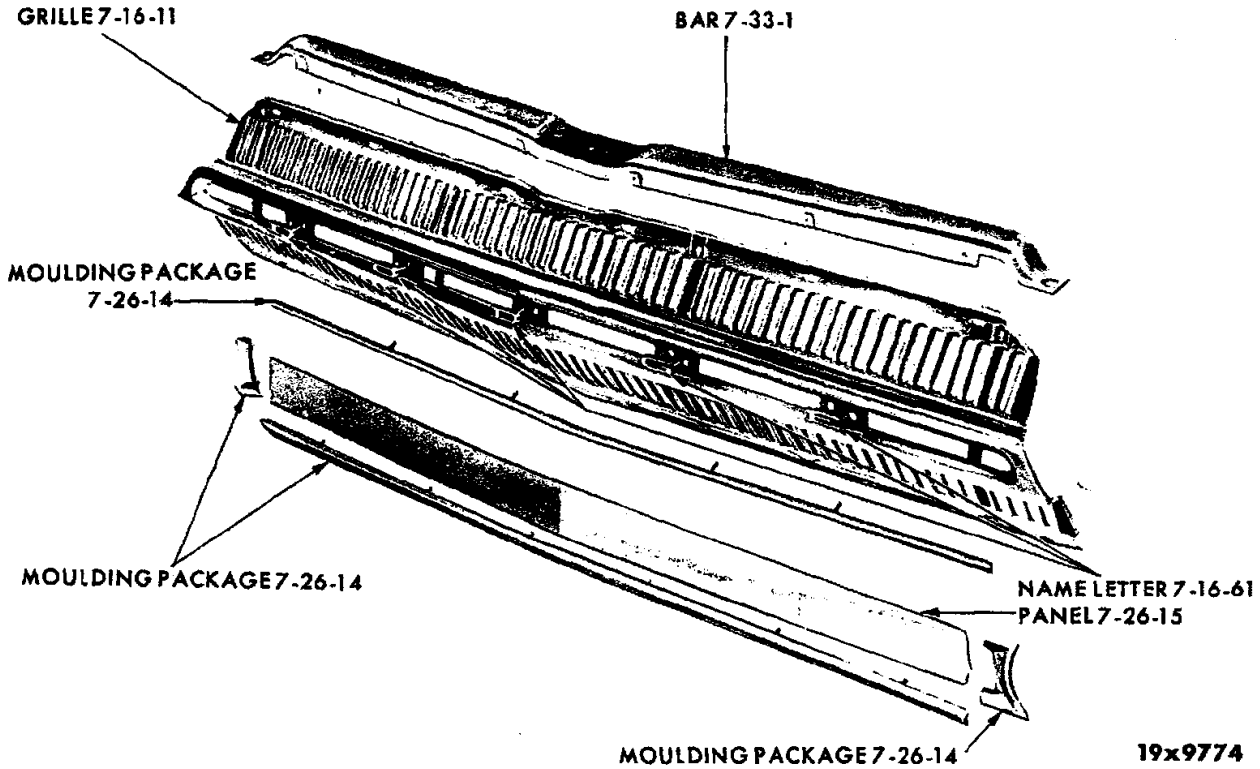
GRILLE - VALIANT VV1-2 (EXCEPT BARRACUDA)

19x9773

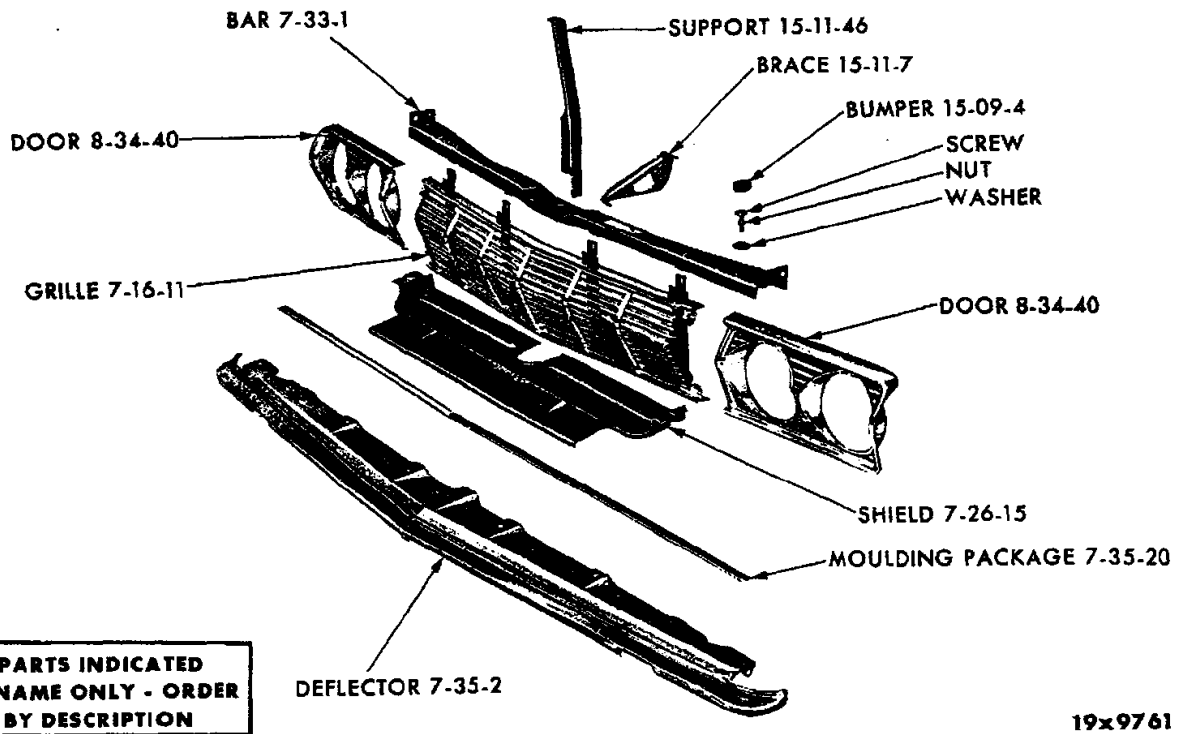


GRILLE - VALIANT BARRACUDA VV1-2(P)

19a0001A

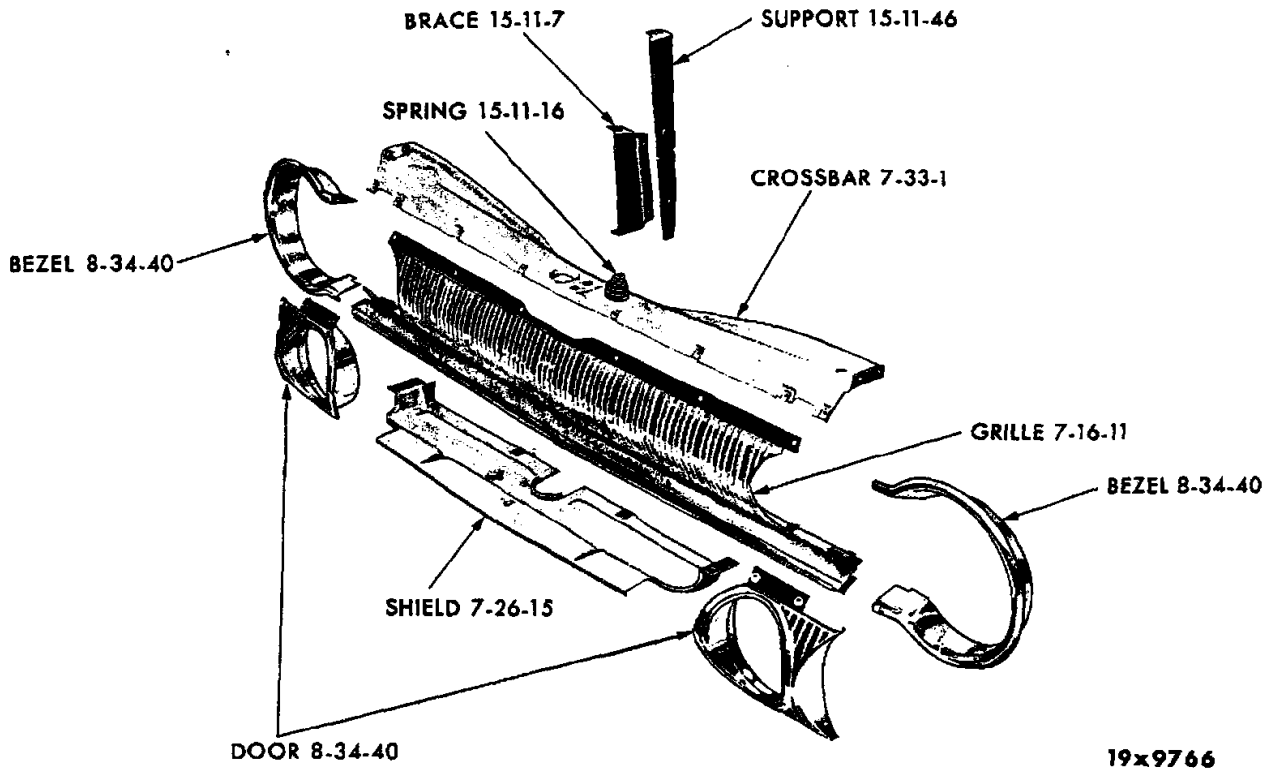


GRILLE - DART VL1-2



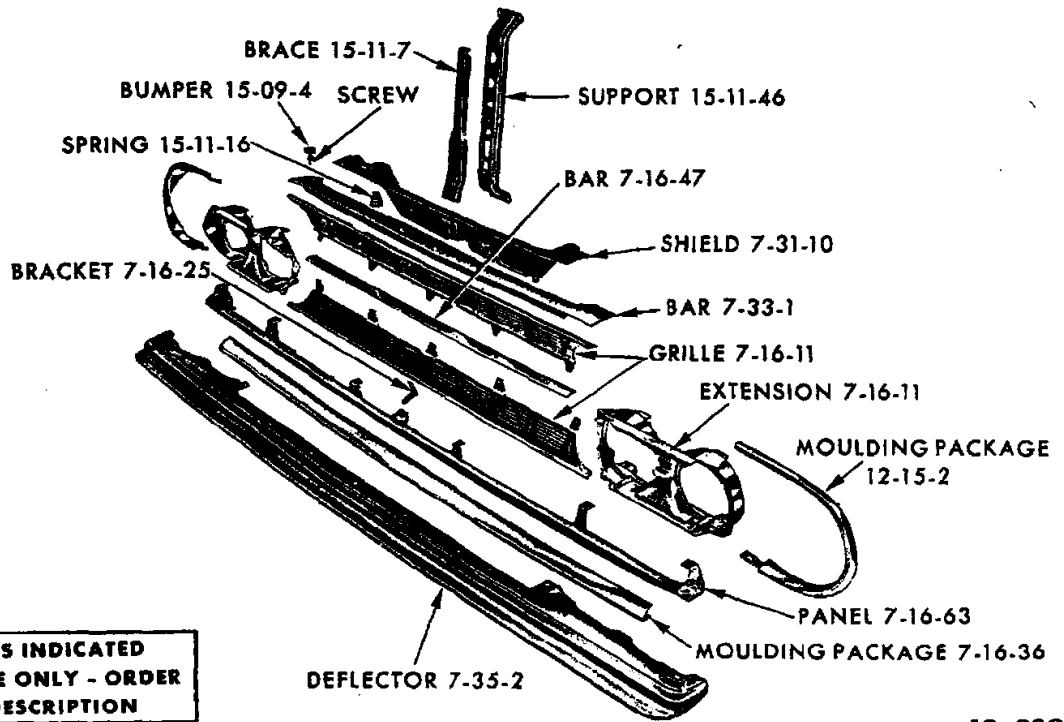
**PARTS INDICATED
BY NAME ONLY - ORDER
BY DESCRIPTION**

GRILLE - PLYMOUTH VP1-2



19x9766

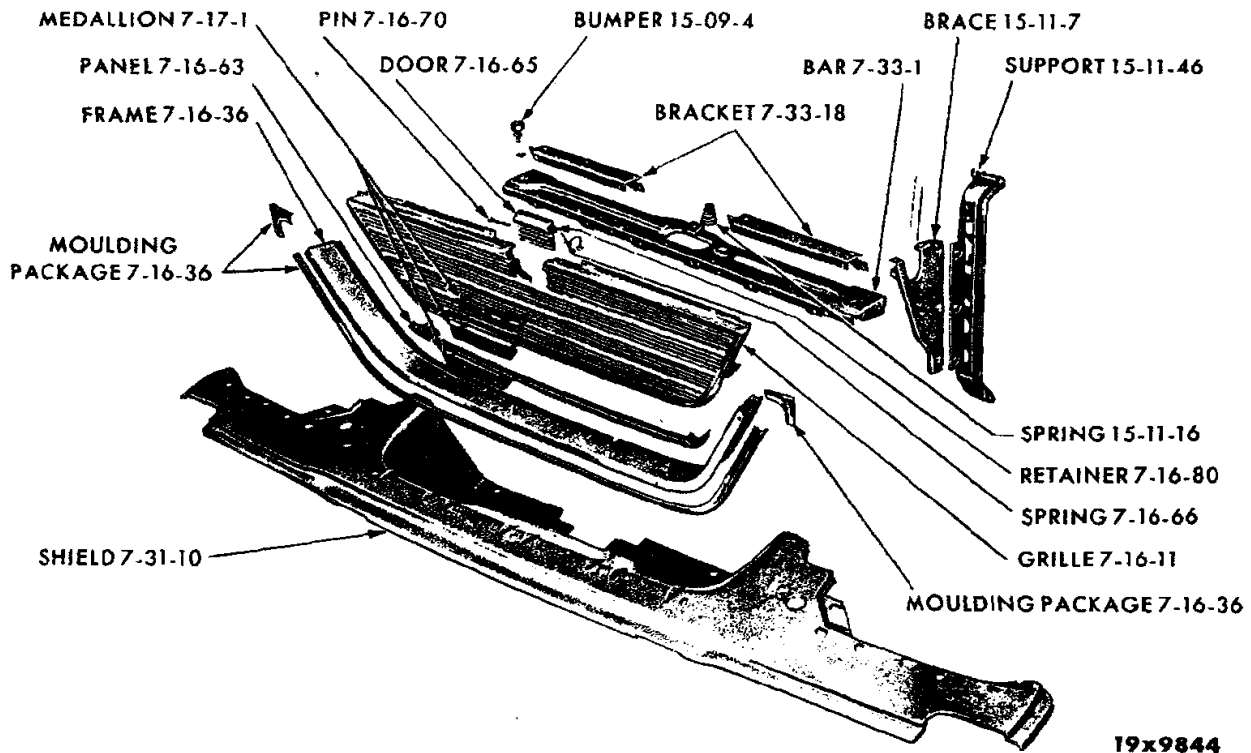
GRILLE - DODGE VD1-2



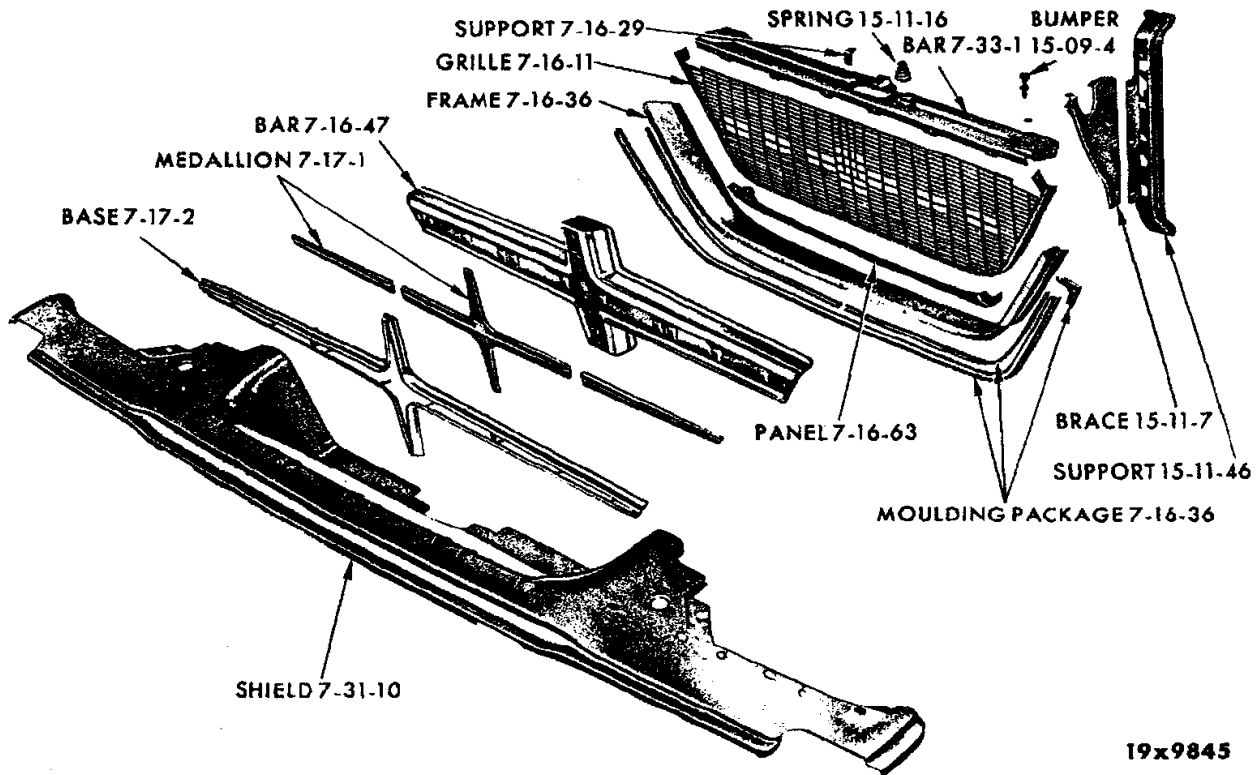
**PARTS INDICATED
BY NAME ONLY - ORDER
BY DESCRIPTION**

19x9801

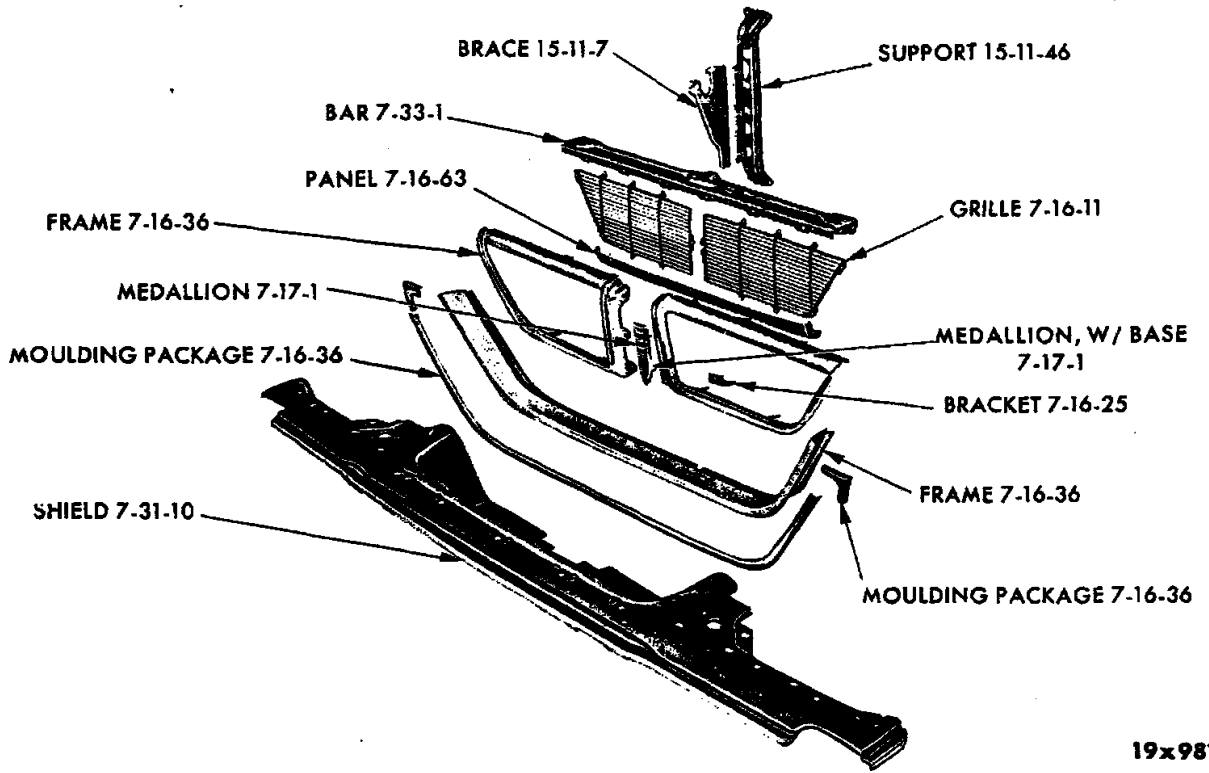
GRILLE - DODGE VA3



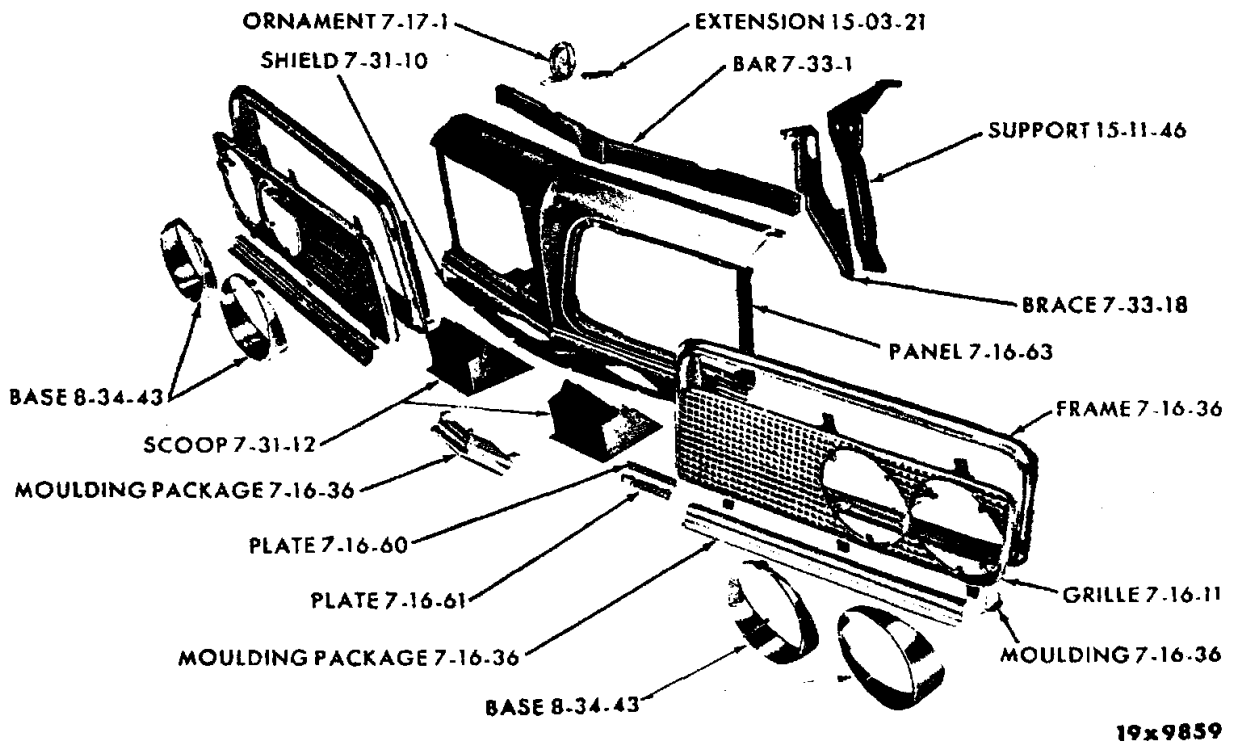
GRILLE - CHRYSLER VC1



GRILLE - CHRYSLER VC2

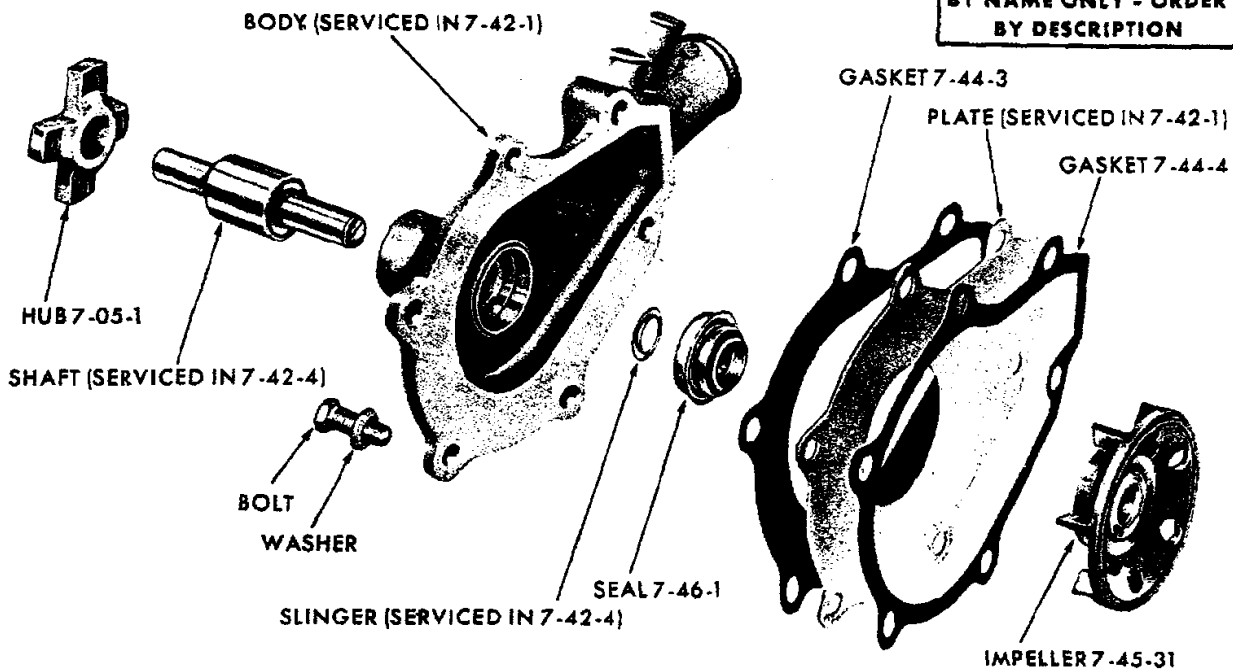


GRILLE - CHRYSLER VC3



GRILLE - IMPERIAL VY1

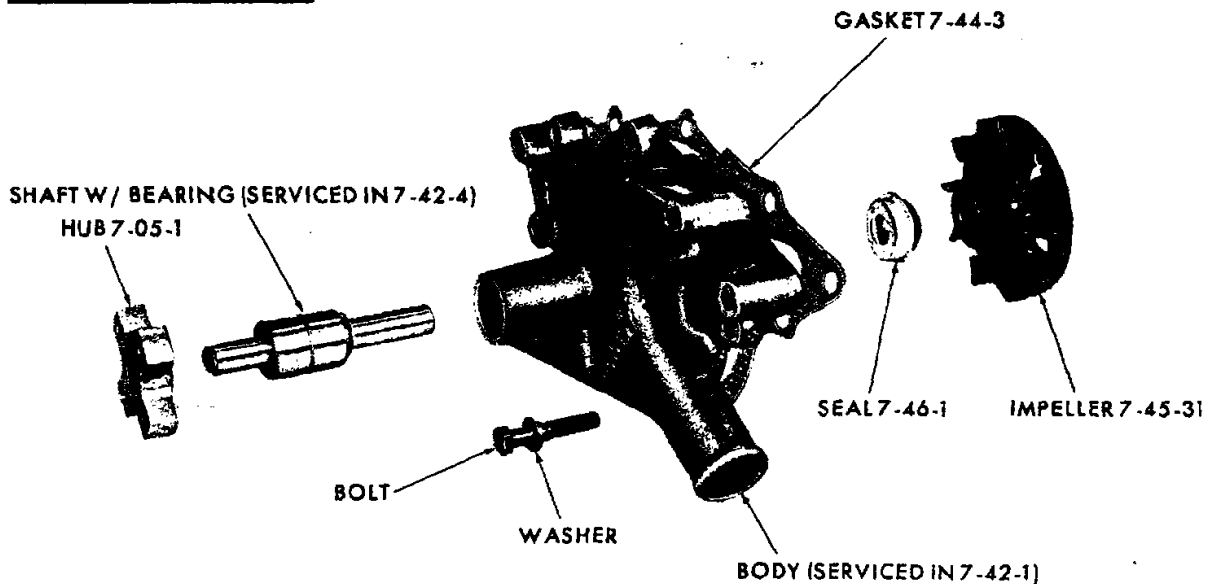
PARTS INDICATED BY NAME ONLY - ORDER BY DESCRIPTION



19x8683B

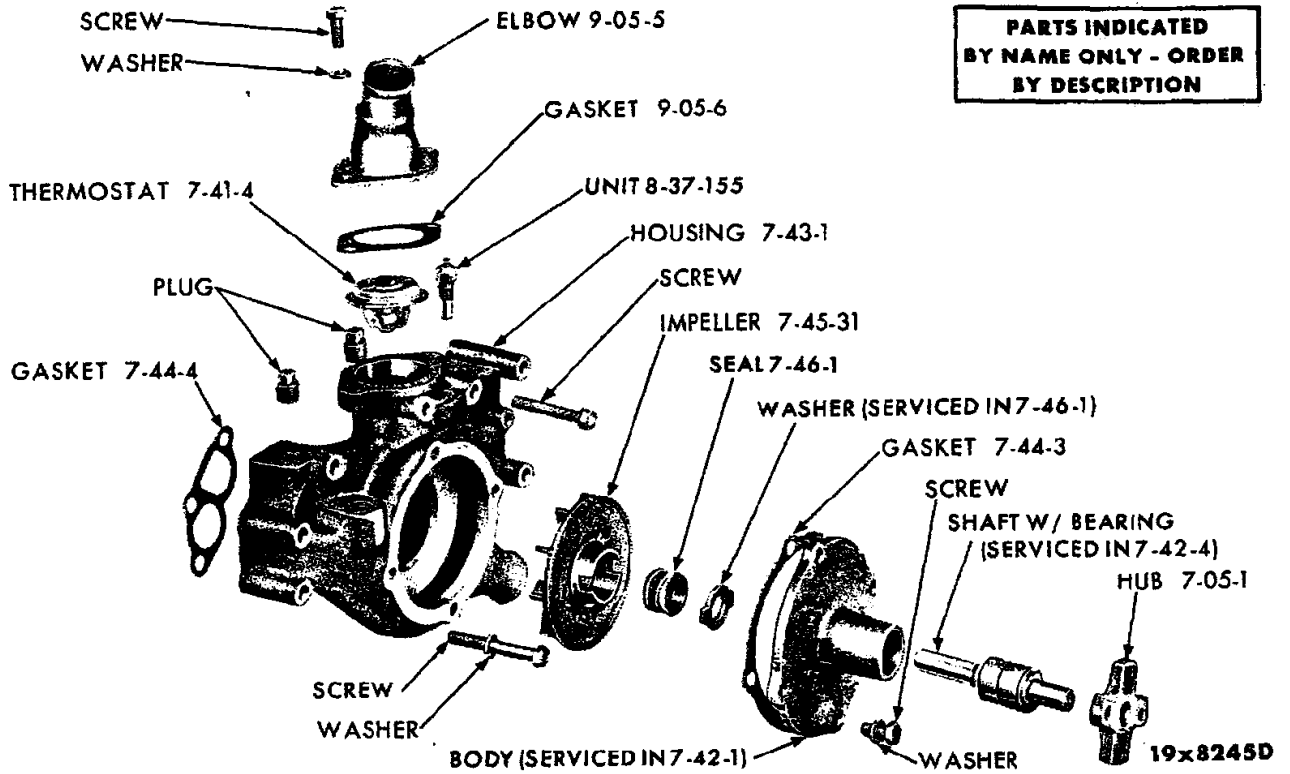
WATER PUMP - 6 CYLINDER

PARTS INDICATED BY NAME ONLY - ORDER BY DESCRIPTION

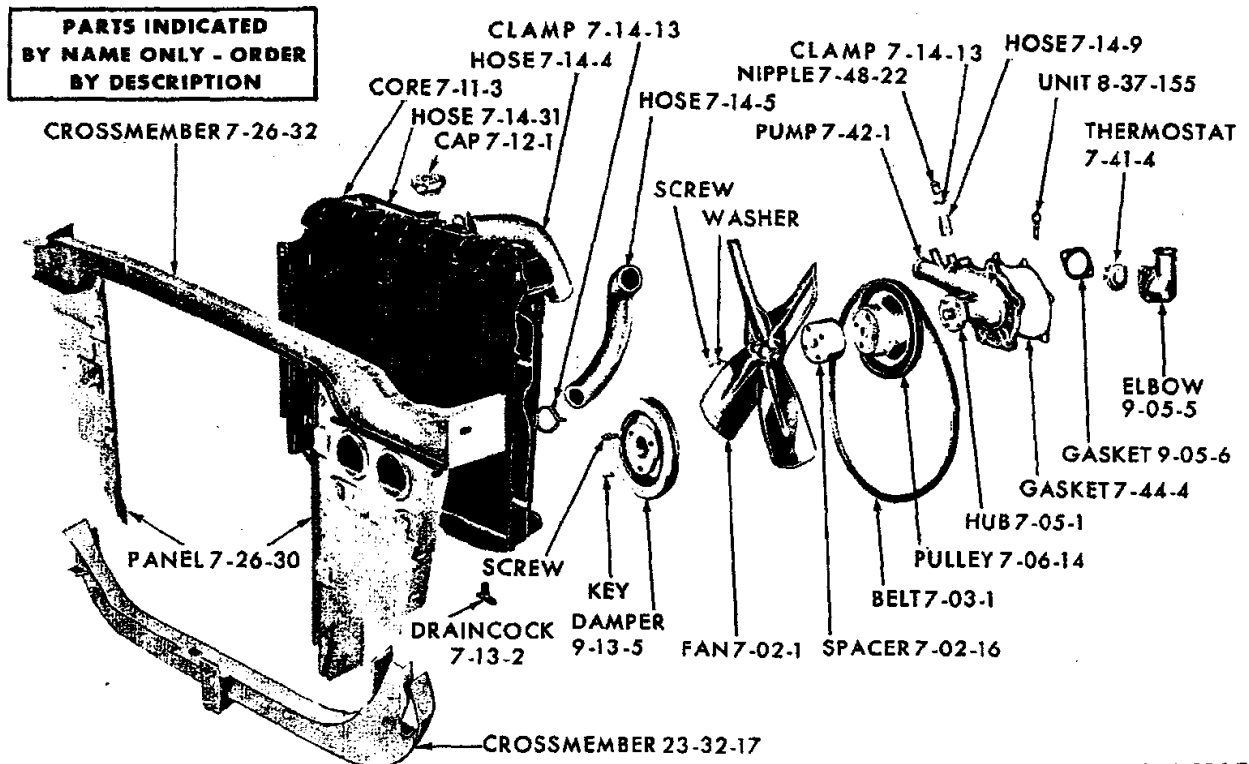


19x9447

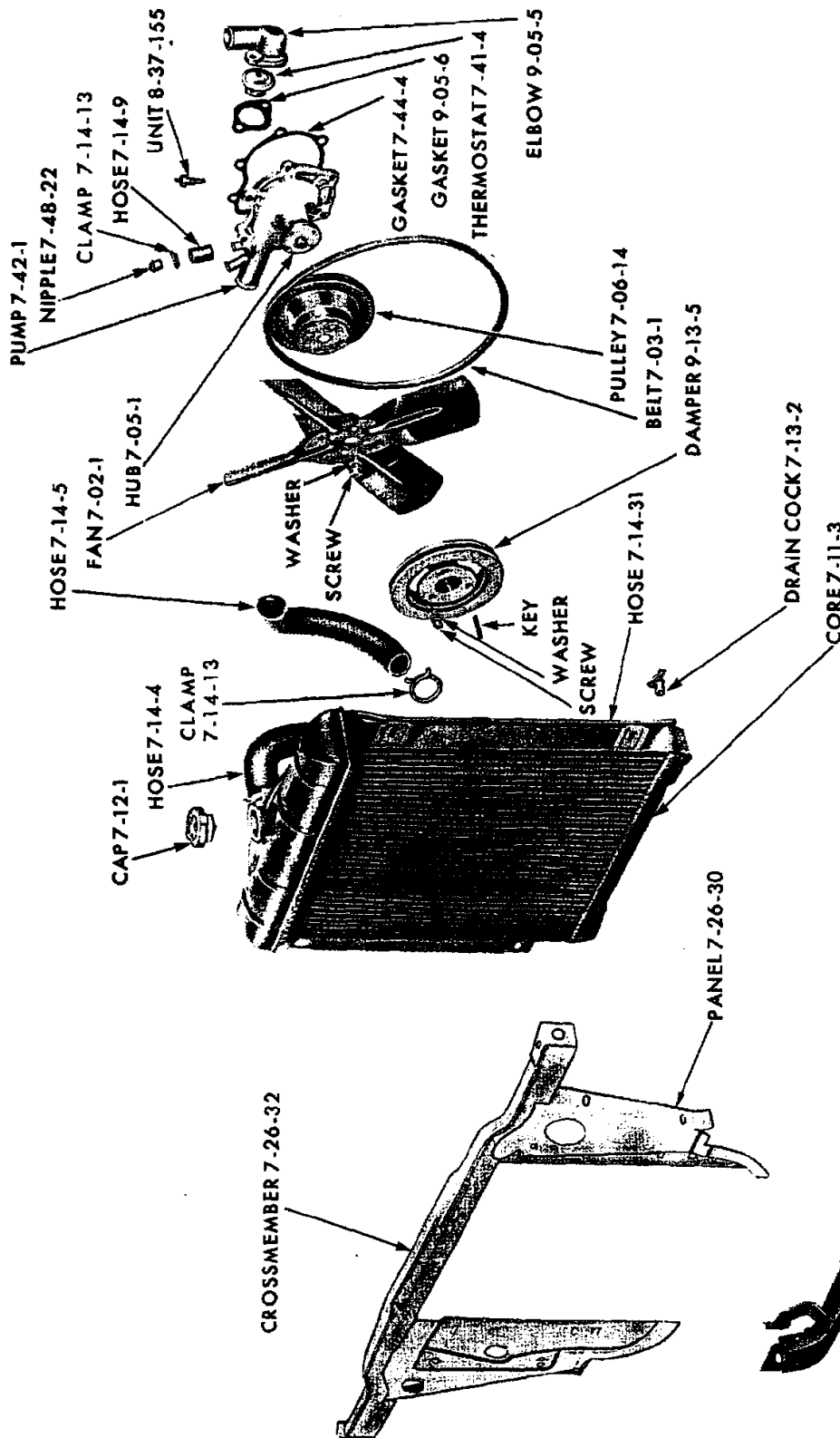
WATER PUMP (V8 CYLINDER) - WITH 273 AND 318 CU. IN. ENGINE



WATER PUMP (V8 CYLINDER) - WITH 361, 383, 413 AND 426 CU. IN. ENGINE



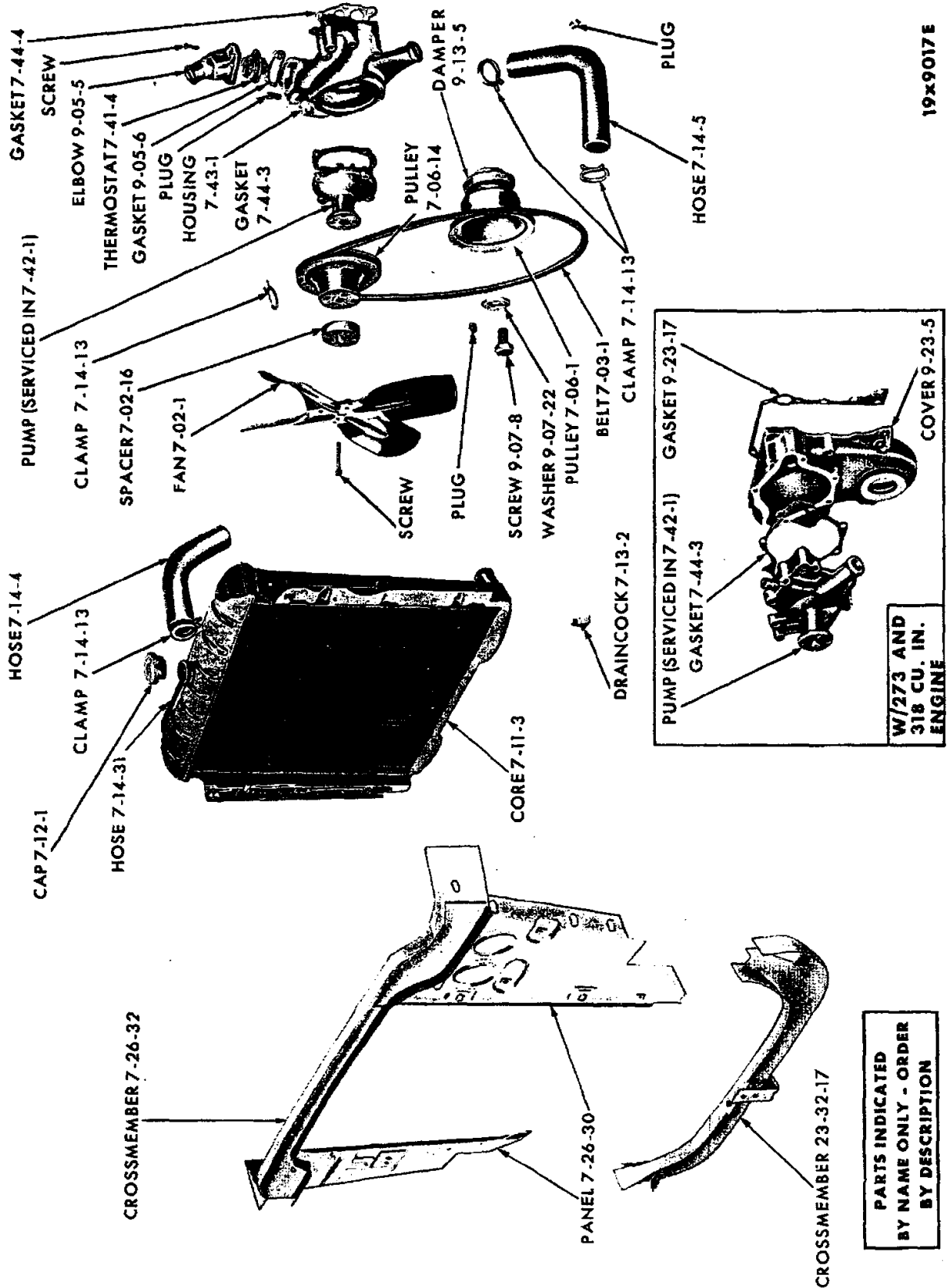
COOLING SYSTEM (6 CYLINDER) - PLYMOUTH VP1 AND DODGE VD1



PARTS INDICATED
BY NAME ONLY - ORDER
BY DESCRIPTION

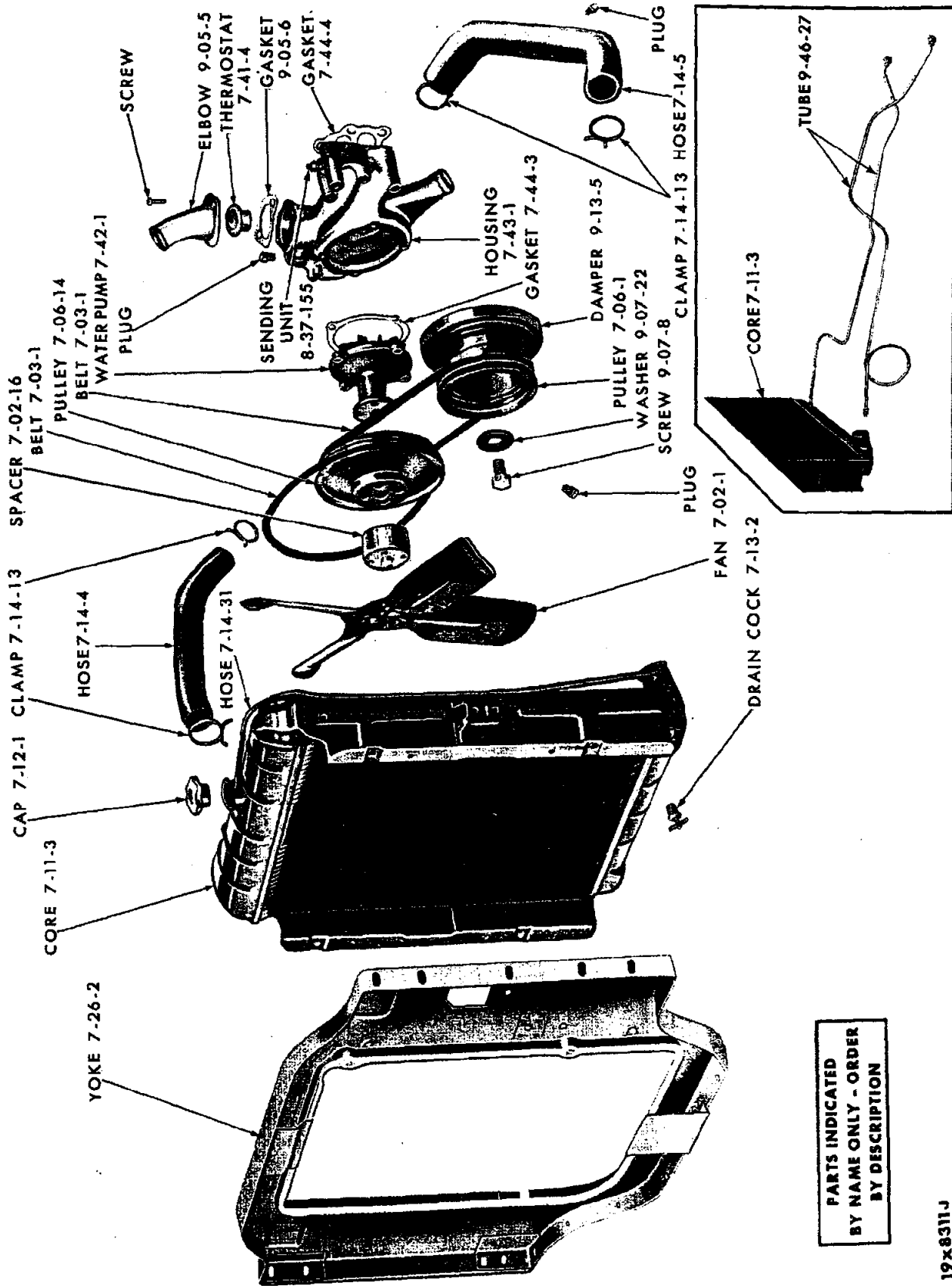
19x8844E

COOLING SYSTEM (6 CYLINDER) - VALIANT VV1 AND DART VLI



19x9017E

COOLING SYSTEM (V8 CYLINDER) - VALIANT VV2, DART VL2, PLYMOUTH VP2 AND DODGE VD2 (WITH 361, 383 AND 426 CU. IN. ENGINE)



PARTS INDICATED BY NAME ONLY - ORDER BY DESCRIPTION

19x8311J

COOLING SYSTEM - DODGE VA3, CHRYSLER VC1-2-3 AND IMPERIAL VY1

Figure 1

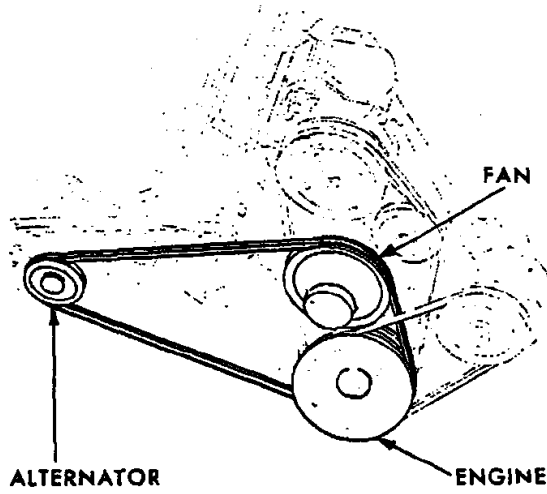


Figure 2

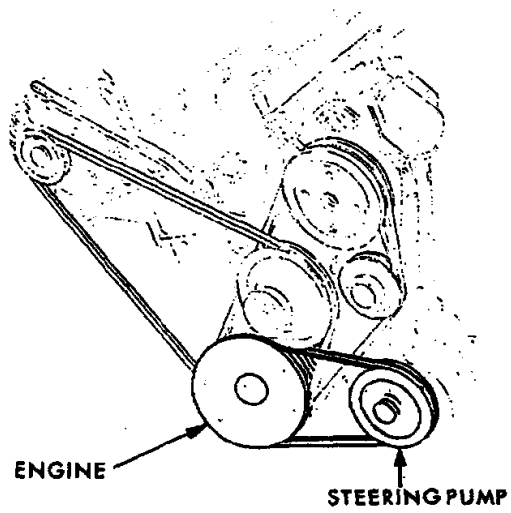


Figure 3

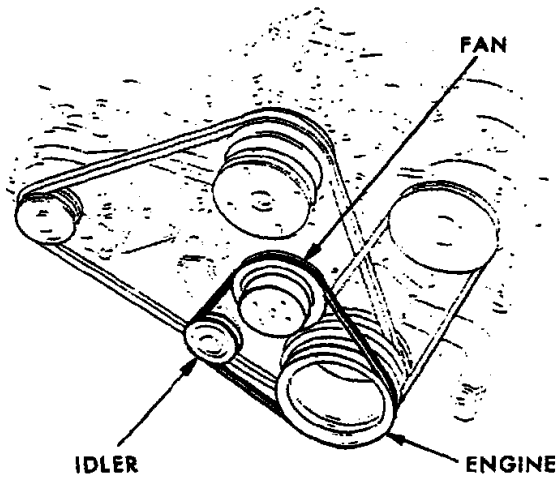


Figure 4

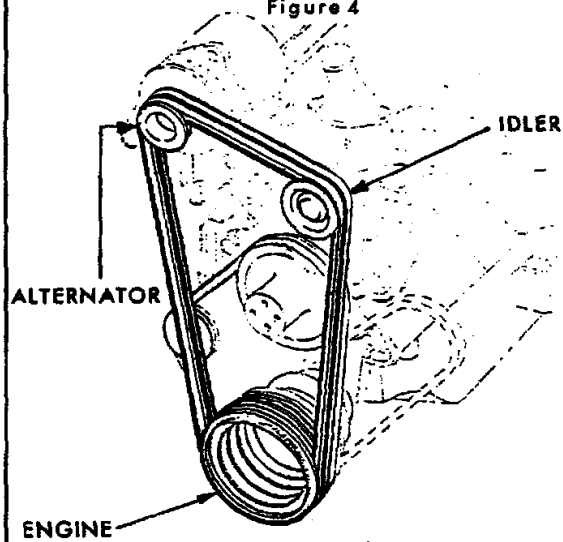


Figure 5

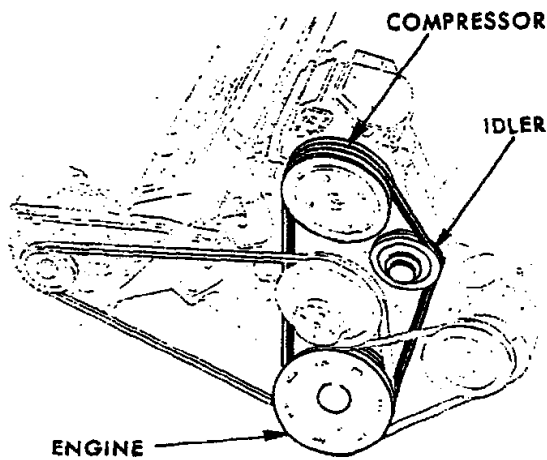
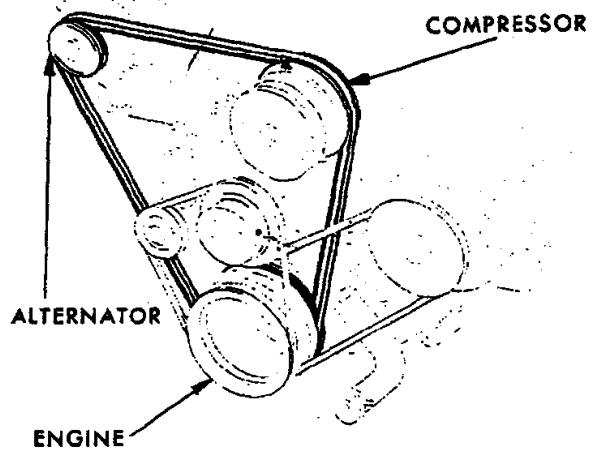


Figure 6



19x9214A

FAN BELT CHART

| CODE | PART NAME AND DESCRIPTION | CYL | PER CAR | VALIANT DART | PLYMOUTH DODGE | CHRYSLER IMPERIAL |
|---|---|-----|---------|--------------|----------------|---------------------------------|
| 7-03-0 FAN AND RELATED DRIVE BELTS | | | | | | |
| 7-03-1 | BELT | | | | | |
| | ENGINE TO ALTERNATOR TO FAN (see Fig. 1) | | | | | |
| | w/170 cu. in. Engine | 6 | 1 | 1673 649 | | |
| | w/225 cu. in. Engine | 6 | 1 | 1821 138 | 1821 138 | |
| | w/Leece - Neville Alternator | 6 | 1 | 2264 463 | 2264 463 | |
| | w/273 and 318 cu. in. Engine | 8 | 1 | 2268 242 | 2268 242 | |
| | w/426 cu. in. Engine, Hemispherical | 8 | 1 | ----- | *1614 009 | |
| | w/361, 383, 413 and 426 cu. in. Engine, except Hemispherical, VC1, VC2, VC3 | 8 | 1 | ----- | *1737 925 | *1737 925 |
| | w/413 cu. in. Engine, VY1 | 8 | 1 | ----- | ----- | 1533 121 |
| | w/361, 383, 413 and 426 cu. in. Engine, except Hemispherical, w/Model "J" Air Conditioning | 8 | 1 | ----- | *1533 532 | *1533 532 |
| | ENGINE TO STEERING PUMP (see Fig. 2) | | | | | |
| | w/170 and 225 cu. in. Engine, w/o Air Conditioning | 6 | 1 | 1327 471 | 1327 471 | |
| | w/170 and 225 cu. in. Engine, w/Air Conditioning | 6 | 1 | 1859 297 | 1859 297 | |
| | w/225 cu. in. Engine, Taxi and Police | 6 | 1 | ----- | 1821 684 | |
| | w/273 and 318 cu. in. Engine | 8 | 1 | 1854 895 | 1854 895 | |
| | w/361 and 383 cu. in. Engine, VP2, VD2 | 8 | 1 | ----- | 2402 378 | |
| | w/361, 383 and 413 cu. in. Engine, VA3 | 8 | 1 | ----- | 2129 277 | 2129 277 |
| | ENGINE TO FAN (see Fig. 3) | | | | | |
| | w/273 and 318 cu. in. Engine, w/Leece-Neville Alternator | 8 | 1 | *1821 684 | *1821 684 | |
| | w/361, 383 and 413 cu. in. Engine, w/Leece - Neville Alternator, VC1 | 8 | 1 | ----- | 1327 471 | 1327 471 |
| | w/361, 383 and 413 cu. in. Engine, w/Air Conditioning, VC1, VC2, VC3, UP TO Serial No. 205610 | 8 | 1 | ----- | *1558 058 | *1558 058 |
| | VY1, AFTER Serial No. 205610 | 8 | 1 | ----- | ----- | *1733 893 |
| | ENGINE TO ALTERNATOR (see Fig. 4) | | | | | |
| | w/318 cu. in. Engine, w/Leece - Neville Alternator | 8 | 1 | ----- | 1673 650 | |
| | w/361 and 383 cu. in. Engine, w/Leece - Neville Alternator, VC1 | 8 | 1 | ----- | 2121 250 | 2121 250 |
| | w/361 and 413 cu. in. Eng., w/Air Conditioning and Trailer Package, VC1, VC2, VC3 | 8 | 1 | ----- | *1327 471 | *1327 471 |
| | w/413 cu. in. Engine, w/Leece - Neville Alternator, VA3, VC1 | 8 | 1 | ----- | 2120 673 | 2120 673 |
| | ENGINE TO COMPRESSOR (see Fig. 5) | | | | | |
| | w/170, 225 cu. in. Engine, w/Air Conditioning | 8 | 1 | *2202 769 | *2268 222 | |
| | w/Air Conditioning, L2, V2, P2, D2 | 8 | 1 | *1945 343 | *2268 222 | |
| | w/361, 383 and 413 cu. in. Engine, w/Model "J" Air Conditioning | 8 | 1 | ----- | 1825 903 | 1825 903 1895-903 |
| | ENGINE TO ALTERNATOR TO COMPRESSOR (see Fig. 6) | | | | | |
| | w/361, 383 and 413 cu. in. Engine, w/Air Conditioning, VA3, VC1, VC2, VC3 | 8 | 1 | ----- | 2129 284 | 2129 284 |
| | VY1 | 8 | 1 | ----- | ----- | 1947 132 |
| | w/361, 383 cu. in. Eng., w/Air Conditioning and Trailer Package, VC1, VC2 | 8 | 1 | ----- | *1947 132 | *1947 132 |
| | w/413 cu. in. Eng, w/Air Conditioning and Trailer Package, VA3, VC1, VC2, VC3 | 8 | 1 | ----- | ----- | *2129 284 |

| CODE | PART NAME AND DESCRIPTION | CYL | PER CAR | VALIANT DART | PLYMOUTH DODGE | CHRYSLER IMPERIAL |
|---|--|-----|---------|--------------|-----------------------|-------------------|
| 7-02-0 FAN ASSEMBLY | | | | | | |
| 7-02-1 | FAN, w/o Air Conditioning, VV1, VL1, VP1, VD1 Heavy Duty, w/Trailer Package, VV1, VL1, VP1, VD1 | 6 | 1 | 2121 971 | 1947 907 | |
| | VC1, VC2 except 300K, VC3, VY1 | 6 | 1 | 2206 356 | 2265 034 | 2265 034 |
| | VC2-300K | 8 | 1 | 2463 376 | 2265 034 | 2402 282 |
| | Heavy Duty, VC1, VC2, VC3 | 8 | 1 | ----- | ----- | 2402 282 |
| | w/361 and 383 cu.in. Engine, w/Air Conditioning and Trailer Towing Package, VD2, VA3 | 8 | 1 | ----- | 2120 208 | 2120 208 |
| | w/413 and 426 cu.in. Engine, VP2, VD2 | 8 | 1 | ----- | *2120 208 2121 013 | |
| | FAN, w/Air Conditioning, VV1, VL1, VP1, VD1 | 6 | 1 | 2206 356 | 2265 034 | |
| | w/273 and 318 cu. in. Engine, VP2, VD2 | 8 | 1 | 2463 657 | 2120 208 | |
| | w/361 and 383 cu. in. Engine, VP2, VD2 | 8 | 1 | ----- | 2121 013 | |
| | w/361, 383 and 413 cu. in. Engine, VA3, VC1, w/413 cu. in. Engine, VY1 | 8 | 1 | ----- | ----- | B2585 376 |
| | VC2, VC3 | 8 | 1 | ----- | 2402 282 | 2402 282 |
| | w/225 cu.in. Engine, w/Model "J" Air Conditioning | 6 | 1 | ----- | 1735 941 | |
| | w/361, 383 and 413 cu. in. Engine, w/Model "J" Air Conditioning | 8 | 1 | ----- | 1985 513 | 1985 513 |
| 7-02-16 | SPACER, w/o Air Conditioning, VV1, VL1, VP1, VD1 | 6 | 1 | 2265 037 | 1730 155 | |
| | w/Heavy Duty Fan, VP1, VD1 | 6 | 1 | ----- | 1825 932 | |
| | w/273 and 318 cu. in. Engine, VP2, VD2 | 8 | 1 | 2265 036 | 2265 036 | |
| | w/361 and 383 cu.in. Engine, w/Air Conditioning and Trailer Towing Package, VD2 | 8 | 1 | ----- | *2265 036 | |
| | VA3 | 8 | 1 | ----- | *1730 155 | |
| | w/Heavy Duty Fan VP2, VD2 | 8 | 1 | ----- | 1825 956 | |
| | w/361, 383 and 413 cu. in. Engine, VC1, VC2, VC3 | 8 | 1 | ----- | 1730 155 | 1730 155 |
| | VY1 | 8 | 1 | ----- | ----- | 2120 510 |
| | SPACER, w/Air Conditioning, VV1, VL1, VP1, VD1 w/318 cu. in. Engine, VP2, VD2 | 6 | 1 | 2265 037 | 1825 932 | |
| | w/361, 383 and 413 cu.in. Engine, w/Model "J" and "L" Air Conditioning | 8 | 1 | ----- | *2003 059 | *2003 059 |
| | w/361 and 413 cu.in. Eng., w/Air Conditioning | 8 | 1 | ----- | *2120 510 | *2120 510 |
| 7-03-0 FAN AND RELATED DRIVE BELTS | | | | | | |
| | NOTE: See Illustrations in Front of Group 7 | | | | | |
| 7-04-0 FAN AND ALTERNATOR IDLER PULLEY | | | | | | |
| 7-04-1 | PULLEY, Fan Idler | 8 | 1 | 2240 397 | 2240 397 | 2240 397 |
| | Alternator Idler, w/Leece - Neville Alternator, VC1 | 8 | 1 | ----- | 1859 770 | 1859 770 |
| 7-04-5 | BRACKET, Fan Idler Pulley, w/273 and 318 cu.in. Engine | 8 | 1 | 2468 494 | 2129 666 | |
| | w/361, 383 and 413 cu. in. Engine | 8 | 1 | ----- | 2129 667 | 2129 667 |
| | Alternator Idler Pulley, w/Leece - Neville Alternator, VC1 | | 1 | ----- | 2264 517 | 2264 517 |
| 7-04-6 | SCREW, Fan Idler Pulley Adjusting, VP2, VD2 | 8 | 1 | ----- | 2206 300 | |
| 7-04-8 | REINFORCEMENT, Alternator Idler Pulley Bracket Support, w/Leece - Neville Alternator, w/318 cu. in. Engine | 8 | 1 | ----- | 2406 647 | |
| 7-04-9 | SUPPORT, Alternator Idler Pulley and Bracket, w/Leece - Neville Alternator | 8 | 1 | ----- | 2406 646 | 2406 646 |

* Indicates use as required.

Numerals in parentheses () refer to notes.

Printed in U.S.A.

⊠ Indicates parts not listed in any previous parts book.

Prices and specifications subject to change without notice.

* Indicates change or addition.

1964 PASSENGER CAR PARTS CATALOG

COOLING

| CODE | PART NAME AND DESCRIPTION | CYL | PER CAR | VALIANT DART | PLYMOUTH DODGE | CHRYSLER IMPERIAL |
|--|---|-----|---------|--------------|----------------|-------------------|
| 7-04-0 FAN AND ALTERNATOR IDLER PULLEY - Cont'd | | | | | | |
| 7-04-10 | SPACER, Fan Idler Pulley Bracket, w/Air Conditioning, w/361, 383 and 413 cu.in. Engine, VC1, w/426 cu.in. Engine, w/o Power Strg., VC2, VC3 UP TO Serial No. 205610 | 8 | 1 | ---- | *1851 608 | *1851 608 |
| | VY1, AFTER Serial No. 205610 | 8 | 1 | ---- | ---- | *2468 434 |
| | w/Leece - Neville Alternator, w/361, 383 and 413 cu. in. Engine, VC1 | 8 | 1 | ---- | 2203 195 | 2203 195 |
| | SPACER, UP TO Serial No. 205610 | 8 | 1 | ---- | ---- | *1851 608 |
| | AFTER Serial No. 205610 | 8 | 1 | ---- | ---- | *2468 434 |
| | Alternator Idler Pulley Bracket, w/Leece-Neville Alternator, w/318 cu. in. Engine | 8 | 1 | ---- | 2202 380 | |
| 7-04-16 | SPACER, Alternator Idler Pulley Bearing, VC1 | 8 | 1 | ---- | 2120 520 | 2120 520 |
| 7-05-0 FAN PULLEY HUB | | | | | | |
| 7-05-1 | HUB | | 1 | 2129 265 | 2129 265 | 2129 265 |
| 7-06-0 FAN DRIVE AND DRIVE PULLEYS | | | | | | |
| 7-06-1 | PULLEY, Drive, w/Power Steering, except Police and Taxi | 6 | 1 | 2205 518 | 2205 518 | |
| | Police and Taxi | 6 | 1 | ---- | 2202 794 | |
| | w/Leece-Neville Alternator | 6 | 1 | 2264 449 | 2264 449 | |
| | w/Air Conditioning | 6 | 1 | 2202 794 | 2202 794 | |
| | w/273 and 318 cu. in. Engine, w/o Power Strg. | 8 | 1 | 1821 411 | 1821 411 | |
| | w/273 and 318 cu. in. Engine, w/Power Strg. | 8 | 1 | 1855 152 | 1855 152 | |
| | w/318 cu. in. Engine, w/Leece-Neville Alternator | 8 | 1 | ---- | 1859 580 | |
| | w/273 and 318 cu.in. Engine, w/Air Conditioning | 8 | 1 | *2402 730 | 2402 730 | |
| | w/361 and 383 cu. in. Engine, w/o Power Strg., w/o Air Conditioning, VP2, VD2, VV2, VL2 | 8 | 1 | *2463 334 | *1821 449 | |
| | w/426 cu. in. Engine, w/o Power Strg., w/o Air Conditioning, VP2, VD2, except Hemispherical | 8 | 1 | ---- | *2402 294 | |
| | w/426 cu. in. Engine, VP2, VD2, Hemispherical | 8 | 1 | ---- | E2532 097 | |
| | w/361, 383 and 413 cu. in. Engine, w/o Power Strg., w/o Air Conditioning, VA3, VC1, VC2 | 8 | 1 | ---- | 1821 449 | 1821 449 |
| | w/361, 383 and 413 cu. in. Engine, w/Power Strg., w/o Air Conditioning | 8 | 1 | ---- | 1826 053 | 1826 053 |
| | w/361, 383 and 413 cu. in. Engine, w/Leece-Neville Alternator, VC1 Police | 8 | 1 | ---- | 1859 252 | 1859 252 |
| | w/361 and 383 cu. in. Engine, w/Air Conditioning VC1, VC2 | 8 | 1 | ---- | 1859 252 | 1859 252 |
| | w/413 cu. in. Engine, w/Air Conditioning, VA3 Police, VC1, VC2, VC3 | 8 | 1 | ---- | *2465 725 | *2465 725 |
| | VY1, UP TO Serial No. 205610 | 8 | 1 | ---- | ---- | *2465 725 |
| | VY1, AFTER Serial No. 205610 | 8 | 1 | ---- | ---- | *2465 757 |
| | w/361, 383 and 413 cu. in. Engine, w/Model "J" Air Conditioning | 8 | 1 | ---- | 2011 445 | 2011 445 |
| 7-06-3 | HUB, Drive Pulley, w/318 cu. in. Engine, w/Leece-Neville Alternator, VP2, VD2 | 8 | 1 | ---- | 1733 805 | |
| 7-06-5 | SPACER, Fan Drive Pulley, VP, VD | 8 | 2 | ---- | ---- | E1109 929 |
| 7-06-14 | PULLEY, Fan Driven, w/o Air Conditioning | 6 | 1 | 2202 666 | 2202 666 | |
| | w/Leece-Neville Alternator | 6 | 1 | 2264 450 | 2264 450 | |
| | w/Air Conditioning | 6 | 1 | 2406 039 | 2202 666 | |
| | w/Model "J" Air Conditioning | 6 | 1 | ---- | 2406 039 | |
| | w/273 cu. in. Engine, w/o Air Conditioning | 8 | 1 | 1852 582 | | |
| | w/273 cu. in. Engine, w/Air Conditioning | 8 | 1 | 2463 332 | | |
| | w/318 cu. in. Engine, w/ or w/o Air Conditioning | 8 | 1 | ---- | 1852 582 | *1852 582 |
| | w/361, 383 and 426 cu. in. Engine, w/o Air Conditioning, VP2, VD2 | 8 | 1 | ---- | 1821 452 | |

* Indicates use as required.

Numerals in parentheses () refer to notes.

Printed in U.S.A.

E Indicates parts not listed in any previous parts book.

Prices and specifications subject to change without notice.

March 15, 1965 Supersedes March 16, 1964.

* Indicates change or addition.

| CODE | PART NAME AND DESCRIPTION | CYL | PER CAR | VALIANT DART | PLYMOUTH DODGE | CHRYSLER IMPERIAL |
|--|---|-----|---------|--------------|----------------|-------------------|
| 7-06-0 FAN DRIVE AND DRIVE PULLEYS - Cont'd | | | | | | |
| 7-06-14 | PULLEY - Cont'd | | | | | |
| | w/361 and 383 cu.in. Engine, w/Air Conditioning and Trailer Towing Package, VD2, VA3 | 8 | 1 | ----- | *1821 452 | |
| | w/426 cu. in. Engine, w/o Air Conditioning, VP2, VD2, except Hemispherical | 8 | 1 | ----- | *1821 452 | |
| | w/361, 383 and 413 cu. in. Engine, w/o Air Conditioning, VA3 | 8 | 1 | ----- | 1821 452 | 1821 452 |
| | w/361, 383 and 413 cu. in. Engine, w/Leece-Neville Alternator, VC1 Police | 8 | 1 | ----- | 1851 248 | 1851 248 |
| | w/361, 383, 413 and 426 cu. in. Engine, w/Air Conditioning, VC1, VC2, VC3 UP TO Serial No. 205610 | 8 | 1 | ----- | *2121 016 | *2121 016 |
| | VC3, AFTER Serial No. 205610 | 8 | 1 | ----- | ----- | *2465 348 |
| | w/361, 383 and 413 cu. in. Engine, w/Model "J" Air Conditioning | 8 | 1 | ----- | 1999 180 | 1999 180 |
| 7-07-0 FAN FLUID DRIVE UNIT | | | | | | |
| 7-07-1 | DRIVE, Fan Fluid, w/o Air Conditioning, VP2, VD2, w/426 cu. in. Engine, VC2-300K . . | 8 | 1 | ----- | 2268 903 | 2268 903 |
| | VV2, VL2, w/Air Conditioning | 8 | 1 | E2536 675 | | |
| | w/Air Conditioning, w/361 and 383 cu.in. Engine, VP2, VD2 | 8 | 1 | ----- | E2536 677 | |
| | w/426 cu.in. Engine, VP2, VD2 Hemispherical | 8 | 1 | ----- | *2402 296 | |
| | w/361, 383 and 413 cu.in. Engine, w/Air Conditioning and Heater Package, VC1, VC2, VC3 | 8 | 1 | ----- | *1851 248 | *1851 248 |
| | w/Air Conditioning, w/361, 383 and 413 cu. in. Engine, VA3, VC1, VC2, VC3 UP TO Serial No. 205610 | 8 | 1 | ----- | *2402 848 | *2402 848 |
| | VA3, VC1, VC2, VC3, AFTER Serial No. 205610 . | 8 | 1 | ----- | ----- | *2536 677 |
| | w/ or w/o Air Conditioning, VP2, VD2, w/426 cu. in. Engine | 8 | 1 | ----- | 2268 903 | |
| 7-08-0 RADIATOR CORE FAN SHROUD | | | | | | |
| 7-08-2 | SHROUD, Upper, VV1, VL1, VP1, VD1 | 6 | 1 | *2417 435 | *2578 597 | |
| | Lower, VV1, VL1, VP1, VD1 | 6 | 1 | *2417 442 | *2578 599 | |
| | Upper, VV2, VL2 | 8 | 1 | 2524 306 | | |
| | Lower, VV2, VL2 | 8 | 1 | 2524 313 | | |
| | Upper and Lower, VP1, VD1 | 6 | 2 | ----- | 1686 463 | |
| | Upper, VP2, VD2, VA3, VC1, VC2, VC3 | 8 | 1 | ----- | 2417 423 | 2417 423 |
| | Lower, VP2, VD2, VA3, VC1, VC2, VC3 | 8 | 1 | ----- | 2417 427 | 2417 427 |
| | Upper, VY1 | 8 | 1 | ----- | ----- | 1686 412 |
| | Lower, VY1 | 8 | 1 | ----- | ----- | 1686 414 |
| 7-08-7 | BUMPER, Shroud to Core, VY1 | 8 | * | ----- | ----- | *1624 506 |
| 7-08-9 | FILLER, to Core, Upper | 6 | * | ----- | *2099 962 | |
| | Lower | 6 | 1 | ----- | 2099 963 | |
| 7-08-13 | BRACKET, Right, Factory Installed | 6 | 1 | 2417 444 | 2099 944 | |
| | Left | 6 | 1 | ----- | 2099 945 | |
| | VV2, VL2 | 8 | 4 | 2524 494 | | |
| | VP2, VD2 | 8 | 4 | ----- | 2099 555 | |
| | Right, VY1 | 8 | 1 | ----- | ----- | 1686 451 |
| | Left, VY1 | 8 | 1 | ----- | ----- | 1686 453 |
| 7-08-15 | SCREW, Bracket to Core | 6 | 2 | ----- | 6023 092 | |
| | VC1, VC2, VC3 | 8 | 4 | ----- | 6023 092 | 6023 092 |
| | STUD, Upper to Lower Shroud, VC1, VC2, VC3 . | 8 | 2 | 6023 092 | 1641 903 | 1641 903 |

* Indicates use as required. Numerals in parentheses () refer to notes. Printed in U.S.A.
 E Indicates parts not listed in any previous parts book. Prices and specifications subject to change without notice.
 * Indicates change or addition. Page 7-17 March 15, 1965 Supersedes March 16, 1964.

1964 PASSENGER CAR PARTS CATALOG

COOLING

| CODE | PART NAME AND DESCRIPTION | CYL | PER CAR | VALIANT DART | PLYMOUTH DODGE | CHRYSLER IMPERIAL |
|---|---|-----|---------|--------------|------------------|----------------------|
| 7-08-0 RADIATOR CORE FAN SHROUD - Cont'd | | | | | | |
| 7-08-16 | NUT, Bracket to Core, VC1, VC2, VC3 VY1 | 8 | ★ 4 | ---- ---- | 6000 124 ---- | 6000 124 6010 006 |
| 7-08-20 | SEAL, Lower (sold by the inch) | | ★ | ---- | *1242 974 | *1242 974 |
| 7-11-0 RADIATOR CORE | | | | | | |
| | | | | Standard | High Altitude | Air Conditioning |
| 7-11-3 | CORE, VV1, VL1, w/Manual Trans. | 6 | 1 | 2445 619 | 2445 621 | |
| | VV1, VL1, w/Auto. Trans. | 6 | 1 | 2445 620 | 2445 621 | |
| | VV1, VL1, w/170 cu. in. Engine, w/Manual Trans. | 6 | 1 | ---- | ---- | 2445 619 |
| | VV1, VL1, w/170 cu. in. Engine, w/Auto. Trans. | 6 | 1 | ---- | ---- | 2445 620 |
| | VV1, VL1, w/225 cu. in. Engine | 6 | 1 | ---- | ---- | 2445 621 |
| | VP1, VD1, w/225 cu. in. Engine, w/Manual Trans. | 6 | 1 | 2445 622 | 2445 626 | 2445 627 |
| | VP1, VD1, w/225 cu. in. Engine, w/Auto. Trans. | 6 | 1 | 2445 623 | 2445 626 | 2445 627 |
| | VV2, VL2, w/273 cu. in. Engine | 8 | 1 | 2445 656 | *2524 751 | 2524 751 |
| | VV2, VL2, w/273 cu. in. Engine, w/Air Conditioning | 8 | 1 | *2524 751 | | |
| | VP2, VD2, w/318 cu. in. Engine, w/Manual Trans. | 8 | 1 | 2445 630 | 2445 633 | 2445 633 |
| | VP2, VD2, w/318 cu. in. Engine, w/Auto. Trans. | 8 | 1 | 2445 631 | 2445 633 | 2445 633 |
| | VP2, VD2, w/361, 383 and 426 cu. in. Engine | 8 | 1 | 2445 635 | 2445 637 | 2445 637 |
| | VA3, VC1, VC2, w/361 and 383 cu. in. Engine | 8 | 1 | 2445 646 | 2445 642 | 2445 642 |
| | VA3, VC1, VC2, VC3, w/413 cu. in. Engine | 8 | 1 | 2445 647 | 2445 643 | 2445 643 |
| | VY1, w/413 cu. in. Engine | 8 | 1 | 2445 644 | 2445 645 | 2445 645 |
| 7-12-0 RADIATOR FILLER CAP | | | | | | |
| 7-12-1 | CAP, 16 Pound Pressure | | 1 | 1686 107 | 1686 107 | 1686 107 |
| 7-13-0 RADIATOR DRAIN COCK | | | | | | |
| 7-13-2 | DRAIN COCK, Radiator | | 1 | 1686 198 | 1686 198 | 1686 198 |
| 7-14-0 RADIATOR HOSE | | | | | | |
| 7-14-4 | HOSE, Inlet, Upper, w/170 cu. in. Engine | 6 | 1 | 2268 911 | | |
| | w/225 cu. in. Engine, VP1, VD1, except Police and Taxi | 6 | 1 | 2268 912 | 1881 804 | |
| | w/225 cu. in. Engine, Police and Taxi | 6 | 1 | ---- | 2406 713 | |
| | w/o Air Conditioning, w/273 and 318 cu. in. Engine | 8 | 1 | 1881 805 | 1881 813 | |
| | w/o Air Conditioning, w/361, 383 and 426 cu. in. Engine, VP2, VD2 | 8 | 1 | ---- | 1881 813 | |
| | w/o Air Conditioning, w/361, 383 and 413 cu. in. Engine, VA3 | 8 | 1 | ---- | 1881 804 | 1881 804 |
| | w/o Air Conditioning, VC2-300K | 8 | 1 | ---- | ---- | 2268 986 |
| | w/Air Conditioning | 8 | 1 | 2465 802 | 1881 806 | 1881 806 |
| | w/Leece-Neville Alternator, VC1, VC2 | 8 | 1 | ---- | 1881 806 | 1881 806 |
| | w/361, 383 and 413 cu. in. Engine, w/Model "J" Air Conditioning | 8 | 1 | ---- | 1881 805 | 1881 805 |
| 7-14-5 | HOSE, Outlet, Lower, except Police and Taxi | 6 | 1 | 2268 651 | 2268 598 | |
| | VP1, VD1, Police and Taxi | 6 | 1 | ---- | 2406 714 | |
| | w/273 and 318 cu. in. Engine, VP2, VD2 | 8 | 1 | 1881 805 | 1881 805 | |
| | w/273 cu. in. Engine, w/Air Conditioning | 8 | 1 | 2465 803 | | |
| | w/361, 383, 413 and 426 cu. in. Engine, VC1, VC2, VC3 | 8 | 1 | ---- | *2196 934 | *2196 934 |
| | VY1 | 8 | 1 | ---- | ---- | 1881 809 |

★ Indicates use as required. Numerals in parentheses () refer to notes. Printed in U.S.A.
 † Indicates parts not listed in any previous parts book. Prices and specifications subject to change without notice.
 March 15, 1965 Supersedes March 16 1964. Page 7-18 * Indicates change or addition.

| CODE | PART NAME AND DESCRIPTION | CYL | PER CAR | VALIANT DART | PLYMOUTH DODGE | CHRYSLER IMPERIAL |
|--------------------------------------|--|-----|---------|--------------|----------------|-------------------|
| 7-14-0 RADIATOR HOSE - Cont'd | | | | | | |
| 7-14-9 | HOSE, Water Pump By-Pass, 5/8" I.D., 50 foot roll | 6 | ★ | 1315 466 | 1315 466 | |
| | w/273 and 318 cu. in. Engine | 8 | 1 | 2465 085 | 1730 366 | |
| 7-14-13 | CLAMP, Hose, Worm Gear Type, w 1/4" to 1 15/16". | | ★ | E2448 762 | E2448 762 | E2448 762 |
| | 1 1/2" to 2 1/4" | | ★ | E2448 763 | E2448 763 | E2448 763 |
| | 2 1/8" to 2 7/8" | | ★ | *2448 764 | *2448 764 | *2448 764 |
| 7-14-31 | HOSE, Radiator Overflow, 9/32" I.D. (sold by the inch) | | ★ | 1904 950 | 1904 950 | 1904 950 |
| 7-16-0 RADIATOR GRILLE | | | | | | |
| 7-16-11 | GRILLE, Radiator, VV1, VV2, except Barracuda, VP1, VP2 | | 1 | 2417 048 | 2417 060 | |
| | VV1, VV2, Barracuda | | 1 | 2524 076 | | |
| | VL1, VL2, VD1, VD2 | | 1 | 2417 053 | 2417 066 | |
| | Upper, VA3 | 8 | 1 | ---- | 2445 079 | |
| | Lower, VA3 | 8 | 1 | ---- | 2445 080 | |
| | Right Extension, VA3 | 8 | 1 | ---- | 2445 082 | |
| | Left Extension, VA3 | 8 | 1 | ---- | 2445 083 | |
| | GRILLE, VC1 | 8 | 1 | ---- | ---- | 2417 912 |
| | VC2 | 8 | 1 | ---- | ---- | 2276 409 |
| | Right, VC3 | 8 | 1 | ---- | ---- | 2417 780 |
| | Left, VC3 | 8 | 1 | ---- | ---- | 2417 781 |
| | Right, VY1 | 8 | 1 | ---- | ---- | 2417 776 |
| | Left, VY1 | 8 | 1 | ---- | ---- | 2417 777 |
| | SCREEN, Grille, Right, VV1, VV2, Barracuda | | 1 | 2524 074 | | |
| | Left, VV1, VV2, Barracuda | | 1 | 2524 075 | | |
| 7-16-22 | BRACE, Grille to Lock Support, VV1, VV2, Barracuda | | 1 | 2524 466 | | |
| | Grille to Fender, Right, VV1, VV2, Barracuda | | 1 | 2524 464 | | |
| | Left, VV1, VV2, Barracuda | | 1 | 2524 465 | | |
| 7-16-25 | BRACKET, Grille Panel and Grille, VA3 | 8 | 5 | ---- | 2417 483 | |
| | Grille Frame to Grille Opening Frame, VC3 | 8 | 4 | ---- | ---- | 2417 757 |
| 7-16-29 | SUPPORT, Grille Bar Grille Opening Frame, VC2 | 8 | 2 | ---- | ---- | 2445 038 |
| 7-16-35 | BRACKET, Lock Support Brace, VA3 | 8 | 1 | ---- | 2417 979 | |
| 7-16-36 | GRILLE FRAMES AND MOULDINGS | | | | | |
| | NOTE: See Exterior Moulding Illustrations in Front of Group 23 Body. | | | | | |
| 7-16-47 | BAR, Radiator Grille, VA3, VC2 | 8 | 1 | ---- | 2445 081 | 2417 749 |
| 7-16-60 | PLATE, Radiator Grille Name Plate Retaining, VY1 | 8 | 1 | ---- | ---- | 2449 474 |
| 7-16-61 | RADIATOR GRILLE NAME PLATE or NAME LETTERS | | | | | |
| | NOTE: See Exterior Moulding Illustrations in Front of Group 23 Body. | | | | | |
| 7-16-83 | PANEL, Radiator Grille Lower, VA3, VC1, VC2, VC3 | 8 | 1 | ---- | 2445 573 | 2276 422 |
| | VY1 | 8 | 1 | ---- | ---- | 2417 411 |
| 7-16-85 | DOOR, Hood Lock Access, VC1 | 8 | 1 | ---- | ---- | 2417 874 |
| 7-16-66 | SPRING, Hood Lock Access Door, VC1 | 8 | 1 | ---- | ---- | 2276 566 |
| 7-16-70 | PIN, Hood Lock Access Door, VC1 | 8 | 1 | ---- | ---- | 2276 567 |

★ Indicates use as required.

ⓔ Indicates parts not listed in any previous parts book.

• Indicates change or addition.

Numerals in parentheses () refer to notes.

Prices and specifications subject to change without notice.

March 15, 1965 Supersedes March 16, 1964.

1964 PASSENGER CAR PARTS CATALOG

COOLING

| CODE | PART NAME AND DESCRIPTION | CYL | PER CAR | VALIANT DART | PLYMOUTH DODGE | CHRYSLER IMPERIAL |
|---|---|-----|---------|----------------------|----------------|-------------------|
| 7-16-0 RADIATOR GRILLE - Cont'd | | | | | | |
| 7-16-80 | RETAINER, Hood Lock Access Door Pin, VC1 . . . | 8 | 1 | ---- | ---- | 6006 079 |
| 7-16-82 | BUMPER, Hood Lock Access Door, VC1 | 8 | 2 | ---- | ---- | 2417 861 |
| 7-16-118 | DOUBLER, Radiator Grille Opening Side Panel Extension Ballast Block, Right, VY1 Cv.Cp. . . | 8 | 1 | ---- | ---- | 2449 992 |
| | Left, VY1 Cv.Cp. | 8 | 1 | ---- | ---- | 2449 993 |
| 7-17-0 RADIATOR GRILLE MEDALLION OR ORNAMENT | | | | | | |
| | NOTE: See Exterior Moulding Illustrations in Front of Group 23 Body. | | | | | |
| 7-17-2 | BASE, Radiator Grille Medallion, VC2 | 8 | 1 | ---- | ---- | 2445 001 |
| 7-17-19 | PLATE, Radiator Grille Name Plate Retaining, VY1 | 8 | 1 | ---- | ---- | 2449 474 |
| 7-26-0 RADIATOR YOKE | | | | | | |
| 7-26-2 | YOKE, Radiator, VA3, VC1, VC2, VC3 | 8 | 1 | ---- | 2417 598 | 2417 598 |
| | VY1, 2 D. H.T., 4 D. H.T. | 8 | 1 | ---- | ---- | 2417 460 |
| | VY1 Cv.Cp. | 8 | 1 | ---- | ---- | 2524 050 |
| 7-26-5 | STUD, to Frame, VA3, VC1, VC2 VC3, VY1 . . . | 8 | 2 | ---- | ---- | 6024 635 |
| | To Side Shield | | 2 | ---- | ---- | 6024 628 |
| | SCREW, to Side Shield, VY1 | 8 | 8 | ---- | ---- | 6022 347 |
| | Radiator Yoke Hold-Down, VY1 Cv.Cp. | 8 | 2 | ---- | ---- | 6024 158 |
| | To Shear Panel, VY1 | 8 | 4 | ---- | ---- | 6022 347 |
| 7-26-9 | SEAL, to Hood, VP1, VP2, VD1, VD2, w/Air Conditioning | | 1 | ---- | *2276 650 | |
| | VA3, VC1, VC2 | 8 | 1 | ---- | *2417 505 | *1242 974 |
| 7-26-14 | NOTE: See Moulding Illustrations in Front of Group 23 Body. | | | | | |
| 7-26-15 | SHIELD, Radiator Air, VV1, VV2, VP1, VP2 . . . | | 1 | E2524 432 | *2417 064 | |
| | Barracuda | | 1 | *2525 872 | | |
| | VL1, VL2, VD1, VD2 | | 1 | 2276 118 | 2417 047 | |
| | PANEL, Air Shield Textured, VL1, VL2 | | 1 | 2445 065 | | |
| 7-26-17 | CLIP, Radiator Yoke to Hood Seal, w/Air Condition- ing, VP1, VP2, VD1, VD2 | | 9 | ---- | 6001 015 | |
| | VA3 | 8 | 8 | ---- | 6010 060 | |
| | VC1, VC2 | 8 | 8 | ---- | ---- | *6000 070 |
| 7-26-18 | SHIM, Yoke to Frame, VA3, VC1, VC2, VC3 . . . | 8 | ★ | ---- | 1902 763 | 1902 763 |
| | Crossmember to Fender Flange | | ★ | 6010 031 | | |
| | Radiator Yoke to Headlamp Plate, VP1, VP2 . . | | ★ | ---- | 6010 031 | |
| 7-26-24 | REINFORCEMENT, Air Shield, VV1, VV2 | | 1 | 2417 099 | | |
| | VL1, VL2 | | 1 | 2524 746 | | |
| 7-26-29 | NUT, Air Shield to Fender | | ★ | 6023 167 | | |
| | Air Shield to Frame Crossmember | | ★ | 6023 168 | | |
| 7-26-30 | PANEL, Side, Right, VP1, VP2, VD1, VD2 | | 1 | E2524 842 | 2099 334 | |
| | Left, VP1, VP2, VD1, VD2 | | 1 | 2276 395 | 2099 335 | |
| | Right, w/Air Conditioning, VV2, VL2 | 8 | 1 | 2524 446 | | |
| 7-26-32 | CROSSMEMBER, Side Panel, VP1, VP2, VD1, VD2 w/Air Conditioning, VV2, VL2 | 8 | 1 | 2276 066 2524 129 | 2099 339 | |

★ Indicates use as required.

Numerals in parentheses () refer to notes.

Printed in U.S.A.

E Indicates parts not listed in any previous parts book.

Prices and specifications subject to change without notice.

March 15, 1965 Supersedes March 16, 1964.

Page 7-20

* Indicates change or addition.

| CODE | PART NAME AND DESCRIPTION | CYL | PER CAR | VALIANT DART | PLYMOUTH DODGE | CHRYSLER IMPERIAL |
|--|---|-----|---------|--------------|----------------|-------------------|
| 7-26-0 RADIATOR YOKE - Cont'd | | | | | | |
| NOTE: For Lower Crossmember see Part Type Code 23-32-17. | | | | | | |
| 7-26-37 | BRACKET, Crossmember to Side Shield, Right VP1, VP2, VD1, VD2 | | 1 | ---- | 2099 598 | |
| | Left, VP1, VP2, VD1, VD2 | | 1 | ---- | 2099 599 | |
| 7-31-0 RADIATOR DUST SHIELD | | | | | | |
| 7-31-10 | SHIELD, Dust, VA3, VC1, VC2, VC3 | 8 | 1 | ---- | 2417 291 | 2417 260 |
| | VY1 | 8 | 1 | ---- | ---- | 2417 077 |
| 7-31-12 | SCOOP, Dust Shield Air, VY1 | 8 | 2 | ---- | ---- | 2445 021 |
| 7-31-45 | SHIM, Radiator Yoke to Fender, VA3 | 8 | ★ | ---- | 1903 036 | |
| 7-33-0 RADIATOR CROSS BAR | | | | | | |
| 7-33-1 | BAR, VP1, VP2 | | 1 | ---- | 2417 318 | |
| | VL1, VL2, VD1, VD2 | | 1 | 2417 125 | 2417 535 | |
| | VA3, VC1, VC2, VC3 | 8 | 1 | ---- | 2417 313 | 2417 257 |
| | VY1 | 8 | 1 | ---- | ---- | 2417 412 |
| 7-33-18 | BRACKET, Right, VC1 | 8 | 1 | ---- | ---- | 2417 872 |
| | Left, VC1 | 8 | 1 | ---- | ---- | 2417 873 |
| | BRACE, to Hood Lock Vertical Support, VY1 | 8 | 1 | ---- | ---- | *2524 301 |
| 7-35-0 RADIATOR STONE DEFLECTOR | | | | | | |
| 7-35-2 | DEFLECTOR, VP1, VP2 | | 1 | ---- | 2417 062 | |
| | VA3 | 8 | 1 | ---- | 2417 289 | |
| 7-35-6 | BUMPER, VP1, VP2 | | 4 | ---- | 2445 057 | |
| 7-35-20 | MOULDING PACKAGE, Radiator Stone Deflector, VP1, VP2 | | 1 | ---- | 2495 195 | |
| | RETAINER | | 8 | ---- | 6001 487 | |
| | NUT | | 8 | ---- | 6000 616 | |
| 7-41-0 THERMOSTAT | | | | | | |
| 7-41-4 | THERMOSTAT, 160° Fahrenheit | 6 | 1 | *2465 170 | *2465 170 | |
| | 180° Fahrenheit | 6 | 1 | *2465 169 | *2465 169 | |
| | 180° Fahrenheit | 8 | 1 | E2128 994 | E2128 994 | E2128 994 |
| 7-42-0 WATER PUMP | | | | | | |
| 7-42-1 | WATER PUMP PACKAGE | 6 | 1 | 2196 910 | 2196 910 | |
| | w/273 and 318 cu. in. Engine | 8 | 1 | 2448 315 | 2448 315 | |
| | w/273 cu. in. Engine, w/Air Conditioning | 8 | 1 | 2525 098 | | |
| | w/361, 383 and 413 cu. in. Engine, w/o Air Conditioning, except VC2-300K | 8 | 1 | ---- | 2448 326 | 2448 326 |
| | w/361, 383 and 413 cu. in. Engine, w/Air Conditioning | 8 | 1 | ---- | 2448 328 | 2448 328 |
| | VP2, VD2, w/426 cu. in. Engine, VC2-300K, w/ or w/o Air Conditioning | 8 | 1 | ---- | 2448 328 | 2448 328 |
| | w/361 and 383 cu. in. Engine, w/Air Conditioning and Trailer Towing Package, VD2, VA3. | 8 | 1 | ---- | *2448 326 | |
| 7-42-4 | REPAIR PACKAGE, Water Pump | 6 | 1 | 2298 907 | 2298 907 | |
| | w/273 and 318 cu. in. Engine | 8 | 1 | 2421 376 | 2421 376 | |
| | w/273 cu. in. Engine, w/Air Conditioning | 8 | 1 | 2525 099 | | |
| | w/361, 383 and 413 cu. in. Engine, w/o Air Conditioning, except VC2-300K | 8 | 1 | ---- | 2448 327 | 2448 327 |
| | w/361, 383 and 413 cu. in. Engine, w/Air Conditioning | 8 | 1 | ---- | 2448 329 | 2448 329 |
| | VP2, VD2, w/426 cu. in. Engine, VC2-300K, w/ or w/o Air Conditioning | 8 | 1 | ---- | 2448 329 | 2448 329 |

★ Indicates use as required.

Numerals in parentheses () refer to notes.

Printed in U.S.A.

E Indicates parts not listed in any previous parts book.

Prices and specifications subject to change without notice.

* Indicates change or addition.

March 15, 1965 Supersedes March 16, 1964.

