

EXTERIOR VIEW - DART V6-2(L) 4 DOOR SEDAN

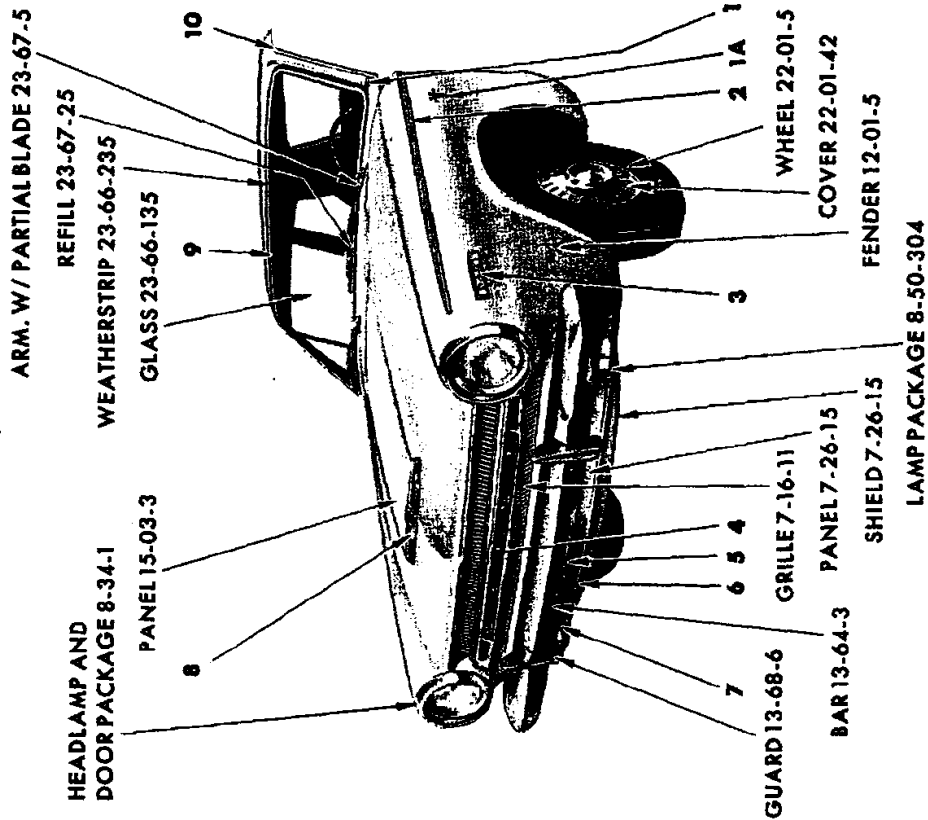
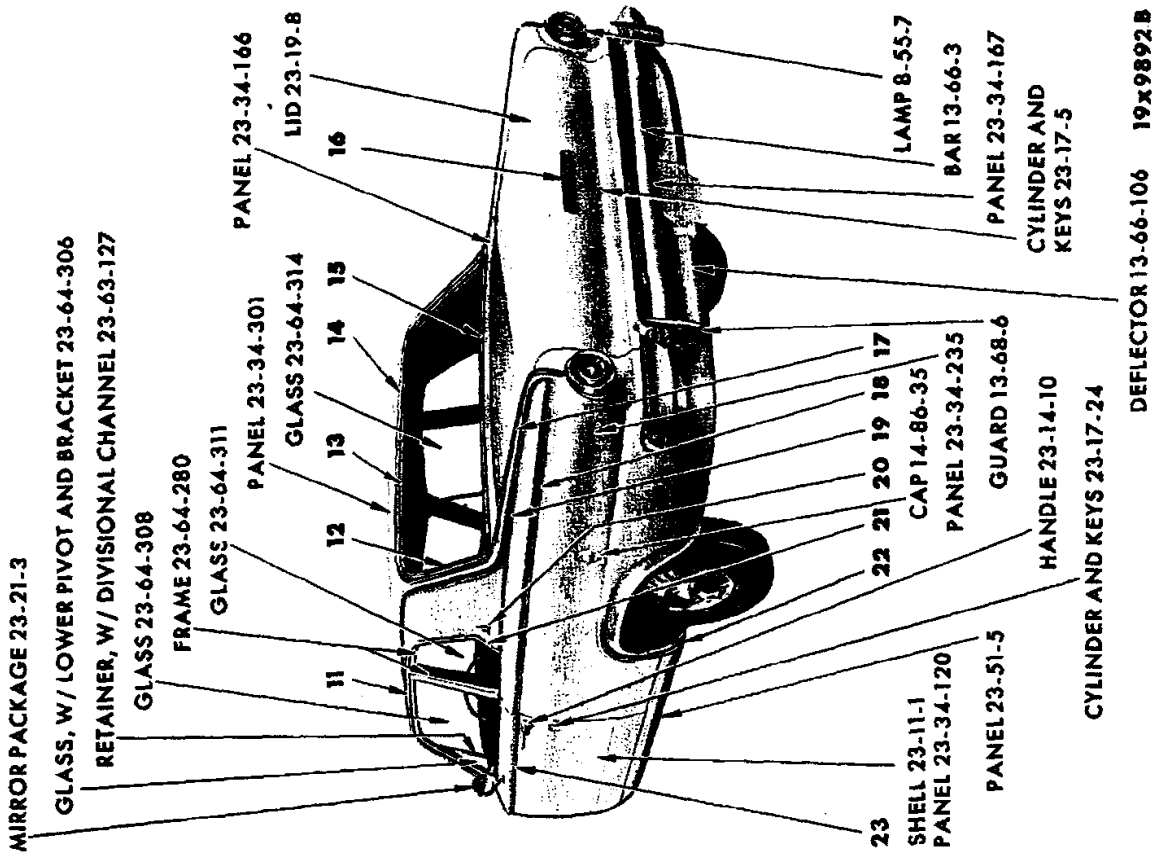
REF. NO.	QTY	PART NUMBER	DESCRIPTION	REF. NO.	QTY	PART NUMBER	DESCRIPTION
1	1	2480 384-5	MOULDING, Front Upper Pillar (23-23-14)	15	1	2495 286	MOULDING PACKAGE, Rear Window Outside Lower (23-23-52)
	4	9419 261	Screw		5	6001 084	Retainer and Screw
1A	2	2524 008	ORNAMENT, Fender Side V8, VL2 Only (12-15-21)	16	1	2480 292	NAME PLATE, Deck Lid (23-19-114)
2	1	2495 166-7	MOULDING PACKAGE, Fender Side (12-15-2)		2	6022 013	Washer
	4	6001 030	Retainer		2	----	Nut
	16	6001 456	Retainer	17	1	2495 376-7	MOULDING PACKAGE, Quarter Panel Peak (23-23-39)
3	2	2417 849	NAME PLATE, Fender Side (12-15-21)		14	6001 097	Retainer
	4	6024 705	Washer		14	----	Nut
4	1	2417 877	NAME LETTER, Radiator Grille, "D" (7-16-81)	18	1	2495 408-9	MOULDING PACKAGE, Quarter Panel Upper (23-23-32)
	1	2417 678	"O"		10	6001 456	Retainer
	1	2417 679	"D"		10	6001 432	Retainer
	1	2417 680	"G"		10	6023 260	Nut
	1	2417 681	"E"	19	1	2495 392-3	MOULDING PACKAGE, Quarter Panel Lower (23-23-39)
5	1	2495 162	MOULDING PACKAGE, Radiator Air Shield Upper (7-26-14)		6	6001 443	Retainer
	6	6001 663	Clip		12	6001 456	Retainer
6	1	2495 163	MOULDING PACKAGE, Radiator Air Shield Lower (7-26-14)		12	6001 460	Clip
	6	6001 519	Clip		2	6024 271	Screw
7	1	2495 702-3	MOULDING PACKAGE, Radiator Air Shield Outer (7-26-14)		2	6001 432	Retainer
	2	116 000	Nut		2	6023 260	Nut
	2	6000 616	Nut	20	2	2480 206	MEDALLION, Quarter Outside (23-34-334)
8	1	2495 178	MOULDING PACKAGE, Hood Top Front (15-25-2)		4	152 259	Nut
	4	6023 934	Nut	21	1	2526 976-7	DEFLECTOR, Quarter Panel Wheel Opening Stone (23-34-240)
9	1	2082 278	LOCKINGSTRIP, Windshield Glass Weatherstrip (23-66-239)		6	6024 288	Screw
10	1	2484 424-5	MOULDING, Roof Side Drain Trough Front (23-59-61)	22	1	2495 388-9	MOULDING PACKAGE, Rear Door (23-23-33)
11	1	2255 936-7	MOULDING, Roof Side Drain Trough Rear (23-59-61)		10	6001 456	Retainer
12	1	2495 284-5	MOULDING PACKAGE, Rear Window Outside Side (23-23-52)		6	6001 458	Retainer
	8	6001 084	Retainer and Screw		2	6001 432	Retainer
13	1	2481 050-1	MOULDING, Roof Panel Outside Rear (23-23-42)		2	9418 877	Nut
	16	6001 084	Retainer	23	2	2495 369	MOULDING PACKAGE, Front Door (23-23-32)
14	1	2495 279	MOULDING PACKAGE, Rear Window Outside Upper (23-23-52)		14	6001 456	Retainer
	8	6001 084	Retainer and Screw		4	6001 432	Retainer
					4	9418 877	Nut

All Packages include Attaching Parts

Part Type Code is indicated in Parentheses

EXTERIOR VIEW - DART VL1-2(L) 4 DOOR SEDAN

# 1964 PASSENGER CAR PARTS CATALOG



EXTERIOR VIEW - DART VL1-2(L) 2 DOOR SEDAN

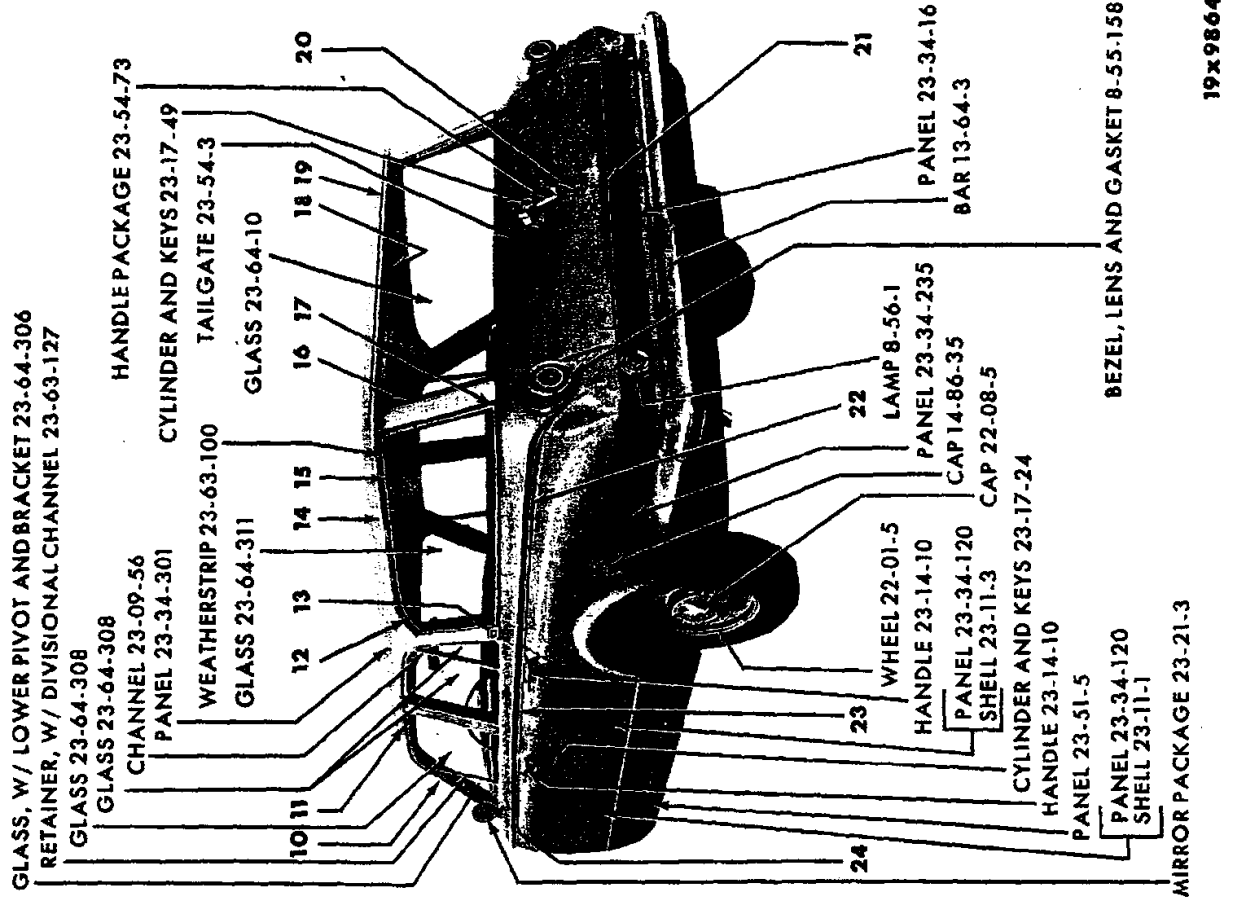
REF. NO.	QTY	PART NUMBER	DESCRIPTION
1	1	2480 384-5	MOULDING, Front Upper Pillar (23-23-14)
	4	9419 261	Screw
1A	2	2524 008	ORNAMENT, Fender Side V8, VL2 Only (12-15-21)
2	1	2495 166-7	MOULDING PACKAGE, Fender Side (12-15-2)
	4	6000 616	Nut
	4	6001 030	Retainer
	16	6001 456	Retainer
3	2	2417 849	NAME PLATE, Fender Side (12-15-21)
	4	6006 263	Nut
	4	6024 705	Washer
4	1	2417 677	NAME LETTER, Radiator Grille, "D" (7-16-61)
	1	2417 678	"O"
	1	2417 679	"D"
	1	2417 680	"G"
	1	2417 681	"E"
	10	9415 250	Nut
5	1	2495 162	MOULDING PACKAGE, Radiator Air Shield Upper (7-26-14)
	6	6001 663	Clip
6	1	2495 163	MOULDING PACKAGE, Radiator Air Shield Lower (7-26-14)
	6	6001 519	Clip
7	1	2495 702-3	MOULDING PACKAGE, Radiator Air Shield Outer (7-26-14)
	2	116 000	Nut
	2	6000 616	Nut
8	1	2495 178	MOULDING PACKAGE, Hood Top Front (15-25-2)
	4	6023 934	Nut
9	1	2082 278	LOCKINGSTRIP, Windshield Glass Weatherstrip (23-66-239)
10	1	2484 424-5	MOULDING, Roof Side Drain Trough Front (23-59-61)
11	1	2422 432-3	MOULDING, Roof Side Drain Trough Rear (23-59-61)
12	1	2495 284-5	MOULDING PACKAGE, Rear Window Outside Side (23-23-52)
	6	6001 084	Retainer and Screw

REF. NO.	QTY	PART NUMBER	DESCRIPTION
13	1	2495 279	MOULDING PACKAGE, Rear Window Outside Upper (23-23-52)
	8	6001 084	Retainer and Screw
14	1	2481 050-1	MOULDING, Roof Panel Outside Rear (23-23-42)
	16	6001 084	Retainer
15	1	2495 286	MOULDING PACKAGE, Rear Window Outside Lower (23-23-52)
	5	6001 084	Retainer and Screw
16	1	2480 292	NAME PLATE, Deck Lid (23-19-114)
	2	6022 013	Washer
	2	----	Nut
17	1	2495 376-7	MOULDING PACKAGE, Quarter Panel Peak (23-23-39)
	14	6001 097	Retainer
	14	----	Nut
18	1	2495 390-1	MOULDING PACKAGE, Quarter Panel Lower (23-23-39)
	2	6024 271	Screw
	14	6001 456	Retainer
	12	8001 443	Retainer
	2	6001 432	Retainer
	2	6023 260	Nut
19	1	2495 374-5	MOULDING PACKAGE, Quarter Panel Upper Rear (23-23-39)
	10	6001 443	Retainer
	10	6001 030	Retainer
	10	6023 260	Nut
20	2	2480 206	MEDALLION, Quarter Outside (23-34-334)
	4	152 259	Nut
21	1	2495 372-3	MOULDING PACKAGE, Quarter Panel Upper Front (23-23-39)
	2	6023 574	Screw
	2	120 622	Nut
22	1	2526 976-7	DEFLECTOR, Quarter Panel Wheel Opening Stone (23-34-240)
	6	6024 288	Screw
23	2	2495 370	MOULDING PACKAGE, Door (23-23-32)
	14	6001 456	Retainer
	6	6001 432	Retainer
	6	9418 877	Nut

All Packages Include Attaching Parts

Part Type Code is Indicated in Parentheses

EXTERIOR VIEW - DART VL1-2(L) 2 DOOR SEDAN



GLASS, W/ LOWER PIVOT AND BRACKET 23-64-306  
 RETAINER, W/ DIVISIONAL CHANNEL 23-63-127  
 GLASS 23-64-308  
 GLASS 23-64-308

HANDLE PACKAGE 23-54-73

CYLINDER AND KEYS 23-17-49  
 TAILGATE 23-54-3

GLASS 23-64-10

20

18 19

16 17

14 15

12 13

10 11

WEATHERSTRIP 23-63-100

GLASS 23-64-311

CHANNEL 23-09-56

PANEL 23-34-301

WHEEL 22-01-5

HANDLE 23-14-10

PANEL 23-34-120

SHELL 23-11-3

CYLINDER AND KEYS 23-17-24

HANDLE 23-14-10

PANEL 23-51-5

PANEL 23-34-120

SHELL 23-11-1

MIRROR PACKAGE 23-21-3

BEZEL, LENS AND GASKET 8-55-158

19X9864A

21

PANEL 23-34-16

BAR 13-64-3

LAMP 8-56-1

PANEL 23-34-235

CAP 14-86-35

CAP 22-08-5

ARM, W/ PARTIAL BLADE 23-67-5

GLASS 23-66-135

REFILL 23-67-25

PANEL 15-03-3

7

5 4 3

GRILLE 7-16-11

PANEL 7-26-15

HEADLAMP AND DOOR PACKAGE 8-34-1

SHIELD 7-26-15

BAR 13-66-3

2

1A 1

FENDER 12-01-5

LAMP PACKAGE 8-50-304

WEATHERSTRIP 23-66-235

8

9

HEADLAMP AND DOOR PACKAGE 8-34-1

SHIELD 7-26-15

BAR 13-66-3

2

1A 1

FENDER 12-01-5

LAMP PACKAGE 8-50-304

WEATHERSTRIP 23-66-235

8

9

EXTERIOR VIEW - DART VLI-2(L) 4 DOOR STATION WAGON

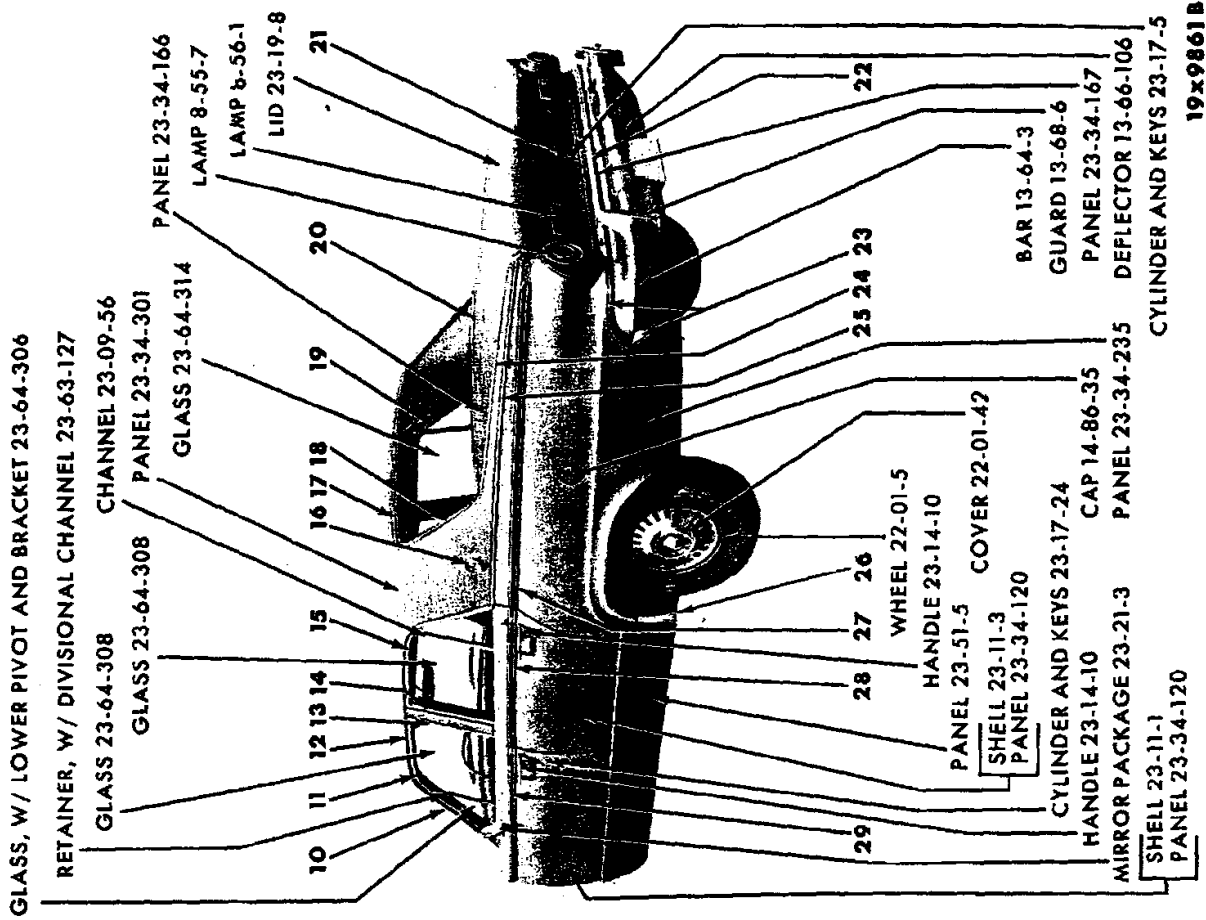
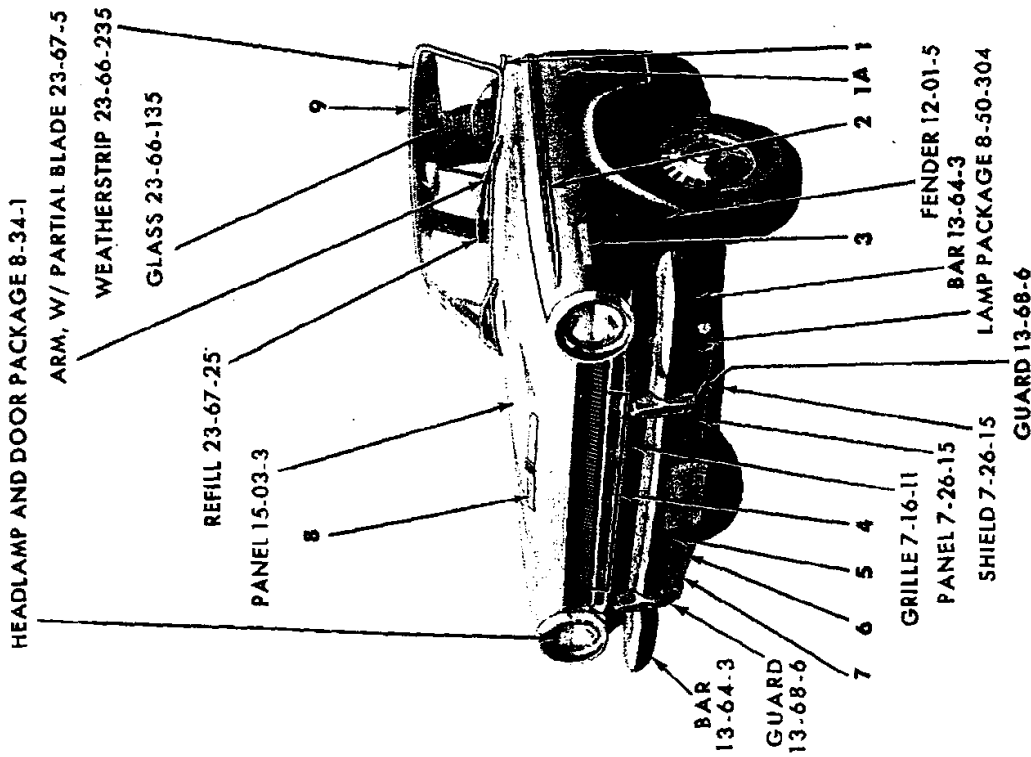
REF. NO.	QTY	PART NUMBER	DESCRIPTION	REF. NO.	QTY	PART NUMBER	DESCRIPTION
1	1	2495 166-7	MOULDING PACKAGE, Fender Side (12-15-2)	15	1	2422 650-1	MOULDING, Roof Side Drain Trough (23-59-61)
	4	6000 616	Nut	16	1	2421 577-8	MOULDING PACKAGE, Rear Upper Pillar Outside (23-23-60)
	4	6001 030	Retainer		6	6001 076	Clip
	16	6001 456	Retainer		4	6024 271	Screw
1A	2	2524 008	ORNAMENT, Fender Side, V8, VL2 Only (12-15-21)		4	6001 077	Clip
2	2	2417 849	NAME PLATE, Fender Side (12-15-21)	17	2	2424 624	CAP, Quarter Window Glass Weatherstrip Lockingstrip Lower Rear (23-63-117)
	4	6006 263	Nut	18	1	2448 401	MOULDING PACKAGE, Tailgate Opening (23-23-60)
	4	6024 705	Washer		5	6001 451	Clip
3	1	2495 163	MOULDING PACKAGE, Radiator Air Shield Lower (7-26-14)	19	1	2484 162-3	MOULDING, Roof Rear Drain Trough (23-59-61)
	6	6001 519	Clip	20	1	2480 206 (1)	MEDALLION, Tailgate Outside (170) (23-54-11)
4	1	2495 162	MOULDING PACKAGE, Radiator Air Shield Upper (7-26-14)		1	2527 832 (2)	MEDALLION, Tailgate Outside (170) (23-54-11)
	6	6001 663	Clip		2	9415 250	Nut
5	1	2495 702-3	MOULDING PACKAGE, Radiator Air Shield Outer (7-26-14)	21	2	2417 677	LETTER "D", Tailgate Outside Panel (23-54-11)
	2	116 000	Nut		1	2417 678	"O"
	2	6000 616	Nut		1	2417 680	"G"
6	1	2417 677	NAME LETTER, Radiator Grille, "D" (7-16-61)		1	2417 681	"E"
	1	2417 678	"O"		5	9415 250	Nut
	1	2417 679	"D"	22	1	2495 404-5	MOULDING PACKAGE, Quarter Panel (23-23-39)
	1	2417 680	"G"		10	6001 460	Clip
	1	2417 681	"E"		8	6001 456	Retainer
	10	9415 250	Nut		6	6001 443	Retainer
7	1	2495 178	MOULDING PACKAGE, Hood Top Front (15-25-2)		2	6024 271	Screw
	4	6023 934	Nut		2	6001 432	Retainer
8	1	2082 278	LOCKINGSTRIP, Windshield Glass Weatherstrip (23-66-239)		2	6023 260	Nut
	1	2480 384-5	MOULDING, Front Upper Pillar (23-23-14)	23	1	2495 388-9	MOULDING PACKAGE, Rear Door (23-23-33)
	4	9419 261	Screw		10	6001 456	Retainer
10	1	2484 424-5	MOULDING, Roof Side Drain Trough Front (23-59-61)		6	6001 458	Retainer
11	1	2255 936-7	MOULDING, Roof Side Drain Trough Rear (23-59-61)		2	6001 432	Retainer
12	2	2424 625	CAP, Quarter Window Glass Weatherstrip Lockingstrip Upper Front (23-63-117)		2	9418 877	Nut
13	1	2422 782-3	NAME PLATE, Roof Panel Extension (23-34-238)	24	2	2495 369	MOULDING PACKAGE, Front Door (23-23-32)
	2	6001 105	Clip		14	6001 456	Retainer
14	2	2243 513	LOCKINGSTRIP, Quarter Window Glass Weatherstrip (23-63-110)		4	6001 432	Retainer
					4	9418 877	Nut

NOTE 1: Back Side Painted Black  
 NOTE 2: Back Side Painted Green

All Packages Include Attaching Parts

Part Type Code is Indicated in Parentheses

EXTERIOR VIEW - DART VL1-2(L) 4 DOOR STATION WAGON



EXTERIOR VIEW - DART VL1-2(H) 4 DOOR SEDAN

REF. NO.	QTY	PART NUMBER	DESCRIPTION
1	1	2480 384-5	MOULDING, Front Upper Pillar (23-23-14)
	4	9419 261	Screw
1A	2	2524 008	ORNAMENT, Fender Side V8, VL2 Only (12-15-21)
2	1	2495 170-1	MOULDING PACKAGE, Fender Side (12-15-2)
	4	6000 705	Clip
	8	6001 458	Clip
	2	6001 736	Clip
	6	-----	Nut
3	2	2417 849	NAME PLATE, Fender Side (12-15-21)
	4	6006 283	Nut
	4	6024 705	Washer
4	1	2417 677	NAME LETTER, Radiator Grille, "D" (7-16-61)
	1	2417 678	"O"
	1	2417 679	"D"
	1	2417 680	"G"
	1	2417 691	"E"
	10	9415 250	Nut
5	1	2495 182	MOULDING PACKAGE, Radiator Air Shield Upper (7-26-14)
	6	6001 663	Clip
6	1	2495 183	MOULDING PACKAGE, Radiator Air Shield Lower (7-26-14)
	6	6001 519	Clip
7	1	2495 702-3	MOULDING PACKAGE, Radiator Air Shield Outer (7-26-14)
	2	116 000	Nut
	2	6000 616	Nut
8	1	2495 179	MOULDING PACKAGE, Hood Front (15-25-2)
	4	6023 934	Nut
9	1	2082 278	LOCKINGSTRIP, Windshield Glass Weatherstrip (23-66-239)
10	1	2484 424-5	MOULDING, Roof Side Drain Trough Front (23-59-61)
11	1	2216 946-7	MOULDING, Front Door Window Frame Upper and Front (23-23-32)
12	1	2255 936-7	MOULDING, Roof Side Drain Trough Rear (23-59-61)
13	1	2216 950-1	MOULDING, Front Door Window Frame Rear (23-23-32)
14	1	2216 950-1	MOULDING, Rear Door Window Frame Front (23-23-33)
15	1	2217 014-5	MOULDING, Rear Door Window Frame Upper and Rear (23-23-33)
16	2	2423 898	MEDALLION, Quarter Outside Panel (23-34-334)
	4	152 259	Nut

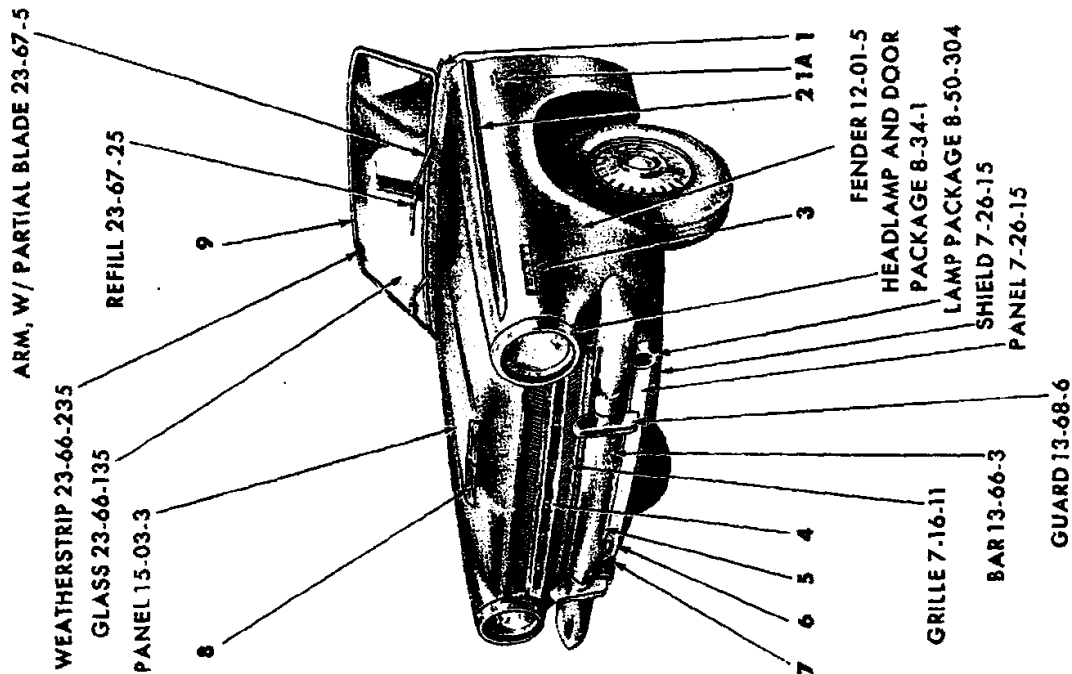
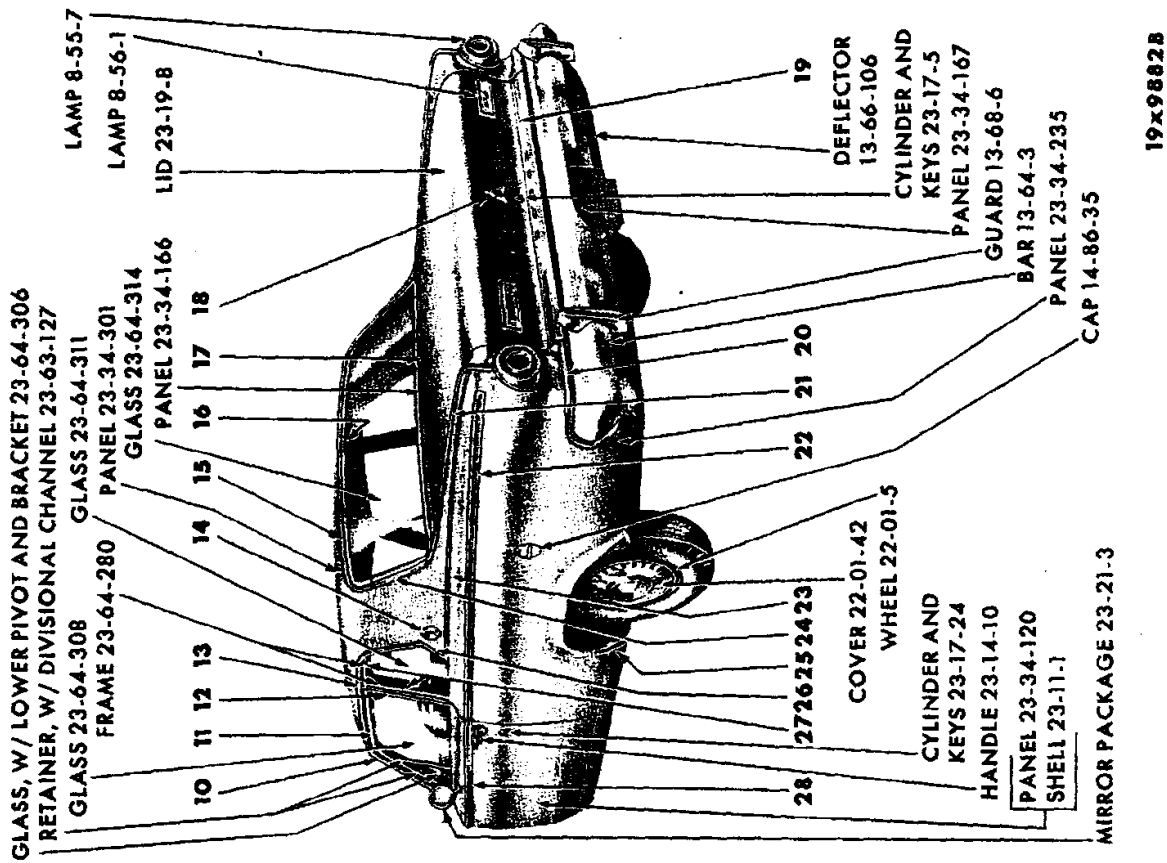
REF. NO.	QTY	PART NUMBER	DESCRIPTION
17	1	2481 050-1	MOULDING, Roof Panel Outside Rear (23-23-42)
	18	6001 084	Retainer
18	1	2495 284-5	MOULDING PACKAGE, Rear Window Outside Side (23-23-52)
	6	6001 084	Retainer and Screw
19	1	2495 279	MOULDING PACKAGE, Rear Window Outside Upper (23-23-52)
	8	6001 084	Retainer and Screw
20	1	2495 286	MOULDING PACKAGE, Rear Window Outside Lower (23-23-52)
	5	6001 084	Retainer and Screw
21	1	2424 453	MEDALLION, Deck Lid (23-19-114)
	1	2424 455	MEDALLION, Deck Lid, w/Base (23-19-114)
	2	6023 097	Nut
22	1	2448 595	MOULDING PACKAGE, Deck Lid (23-23-30)
	7	6001 473	Retainer
	7	446 618	Nut
23	1	2495 406-7	MOULDING PACKAGE, Quarter Panel Lower Rear (23-23-39)
	4	6001 572	Retainer
	8	-----	Nut
	2	6023 574	Screw
24	1	2495 376-7	MOULDING PACKAGE, Quarter Panel Peak (23-23-39)
	14	6001 097	Retainer
	14	-----	Nut
25	1	2495 408-9	MOULDING PACKAGE, Quarter Panel Upper (23-23-39)
	10	6001 456	Retainer
	10	6001 030	Retainer
	10	6023 260	Nut
26	1	2526 976-7	DEFLECTOR, Quarter Panel Wheel Opening Stone (23-34-240)
	6	6024 288	Screw
27	1	2495 402-3	MOULDING PACKAGE, Quarter Panel Lower (23-23-39)
	2	6024 271	Screw
	12	6001 460	Clip
	2	6000 705	Clip
	2	6024 679	Nut
	12	6001 456	Retainer
	6	6001 443	Retainer
28	1	2495 398-9	MOULDING PACKAGE, Rear Door Lower (23-23-33)
	6	6001 458	Retainer
	8	6001 459	Retainer
	8	9418 877	Nut
29	1	2495 396-7	MOULDING PACKAGE, Front Door Lower (23-23-32)
	8	6001 458	Retainer
	8	6001 459	Retainer
	8	9418 877	Nut

All Packages Include Attaching Parts

Part Type Code is Indicated in Parentheses

EXTERIOR VIEW - DART VL1-2(H) 4 DOOR SEDAN





EXTERIOR VIEW - DART VL1-2(H) 2 DOOR SEDAN

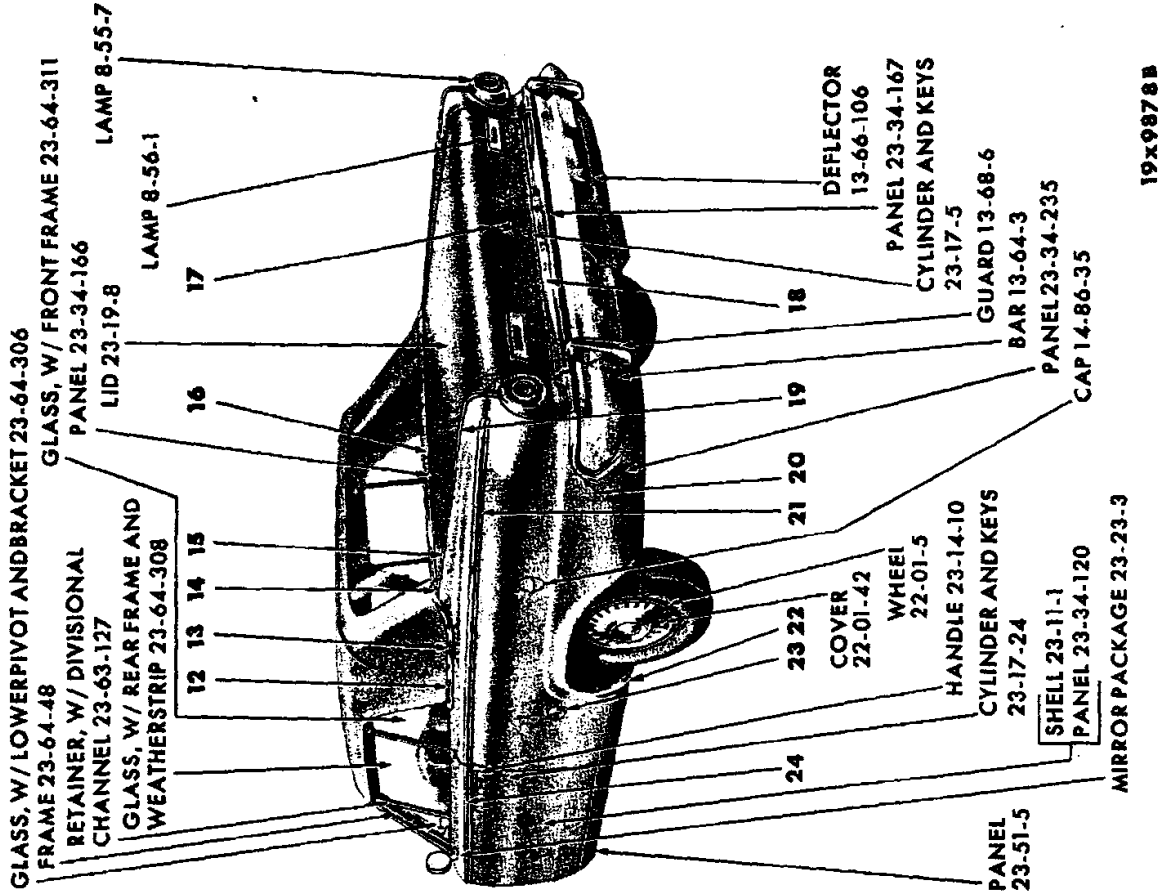
REF. NO.	QTY	PART NUMBER	DESCRIPTION
1	1	2480 384-5	MOULDING, Front Pillar Upper (23-23-14)
	4	9419 261	Screw
1A	2	2524 008	ORNAMENT, Fender Side V8, VL2 Only (12-15-21)
2	1	2495 170-1	MOULDING PACKAGE, Fender Side (12-15-2)
	4	6000 705	Clip 2 6001 736 Clip
	8	6001 458	Clip 68 ---- --- Nut
3	2	2417 849	NAME PLATE, Fender Side (12-15-21)
	4	6024 705	Washer 4 6006 263 Nut
4	1	2417 677	NAME LETTER, Radiator Grille, "D" (7-16-61)
	1	2417 678	"O"
	1	2417 679	"D"
	1	2417 680	"G"
	1	2417 681	"E"
	10	9415 250	Nut
5	1	2495 162	MOULDING PACKAGE, Radiator Air Shield Upper (7-26-14)
	6	6001 663	Clip
6	1	2495 163	MOULDING PACKAGE, Radiator Air Shield Lower (7-26-14)
	6	6001 519	Clip
7	1	2495 702-3	MOULDING PACKAGE, Radiator Air Shield Outer (7-26-14)
	2	116 000	Nut
	2	6000 616	Nut
8	1	2495 179	MOULDING PACKAGE, Hood Front (15-25-2)
	4	6023 934	Nut
9	1	2082 278	LOCKINGSTRIP, Windshield Glass Weatherstrip (23-66-239)
10	1	2484 424-5	MOULDING, Roof Side Drain Trough Front (23-59-61)
11	1	2216 944-5	MOULDING, Door Window Opening Frame Upper and Front (23-23-32)
12	1	2216 950-1	MOULDING, Door Window Opening Frame Rear (23-23-32)
13	1	2422 432-3	MOULDING, Roof Side Drain Trough Rear (23-59-61)
14	2	2423 898	MEDALLION, Quarter Outside 270 (23-34-334)
	4	152 259	Nut
15	1	2481 050-1	MOULDING, Roof Panel Outside Rear (23-23-42)
	16	6001 084	Retainer
16	1	2495 279	MOULDING PACKAGE, Rear Window Outside Upper (23-23-52)
	8	6001 084	Retainer and Screw
17	1	2495 286	MOULDING PACKAGE, Rear Window Outside Lower (23-23-52)
	5	6001 084	Retainer and Screw

All Packages include Attaching Parts

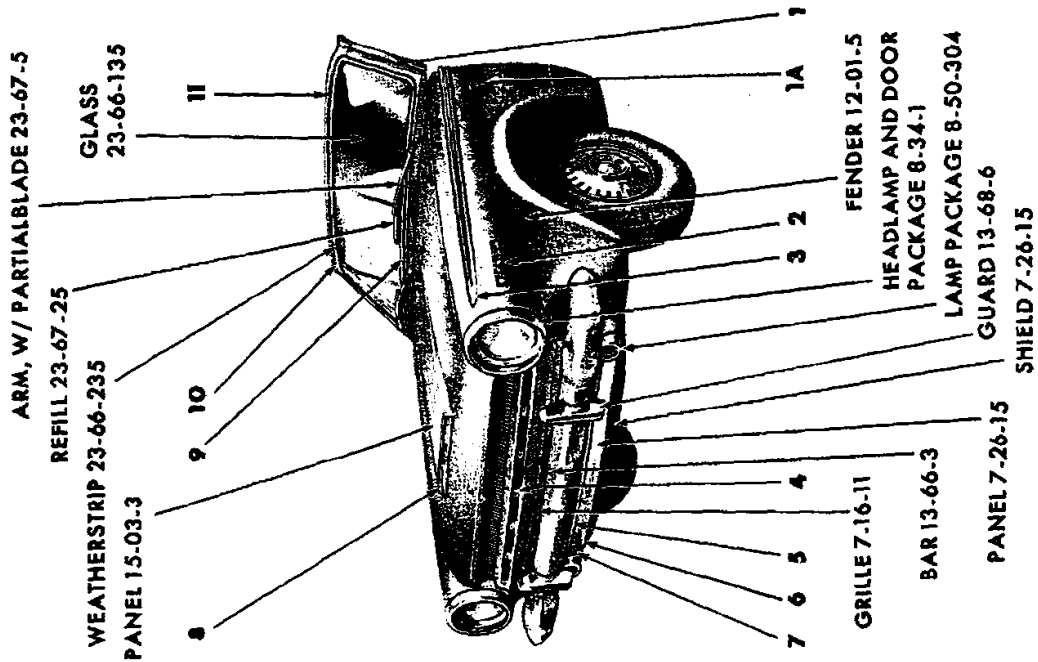
REF. NO.	QTY	PART NUMBER	DESCRIPTION
18	1	2424 453	MEDALLION, Deck Lid (23-19-114)
	1	2424 455	MEDALLION and BASE, Deck Lid (23-19-114)
	2	6023 097	Nut
19	1	2448 595	MOULDING PACKAGE, Deck Lid, w/Name (23-23-30)
	7	6001 473	Retainer
	7	446 618	Nut
20	1	2495 406-7	MOULDING PACKAGE, Quarter Panel Lower Rear (23-23-39)
	4	6001 572	Retainer
	8	---- ---	Nut
	2	6023 574	Screw
21	1	2495 376-7	MOULDING PACKAGE, Quarter Panel Peak (23-23-39)
	14	6001 097	Retainer
	14	---- ---	Nut
22	1	2495 400-1	MOULDING PACKAGE, Quarter Panel Lower (23-23-39)
	12	6001 571	Clip
	6	6001 576	Retainer
	2	6024 271	Screw
	2	6000 705	Clip
	2	6024 679	Nut
23	1	2495 374-5	MOULDING PACKAGE, Quarter Panel Upper Rear (23-23-39)
	10	6001 443	Retainer
	10	6001 030	Retainer
	10	6023 260	Nut
24	1	2495 284-5	MOULDING PACKAGE, Rear Window Outside Side (23-23-52)
	6	6001 084	Retainer and Screw
25	1	2526 976-7	DEFLECTOR, Quarter Panel Wheel Opening Stone (23-34-240)
	6	6024 288	Screw
26	1	2495 372-3	MOULDING PACKAGE, Quarter Panel Upper Front (23-23-39)
	2	6023 574	Screw
	2	120 622	Nut
27	1	2216 950-1	MOULDING, Quarter Window Opening Frame Outside Front (23-23-73)
	1	2244 376-7	MOULDING, Quarter Window Opening Frame Outside Upper (23-23-73)
28	1	2495 394-5	MOULDING PACKAGE, Door Lower (23-23-32)
	10	6001 567	Retainer
	4	6001 570	Retainer
	4	9418 877	Nut

Part Type Code is Indicated in Parentheses

EXTERIOR VIEW - DART VL1-2(H) 2 DOOR SEDAN



19x9878B



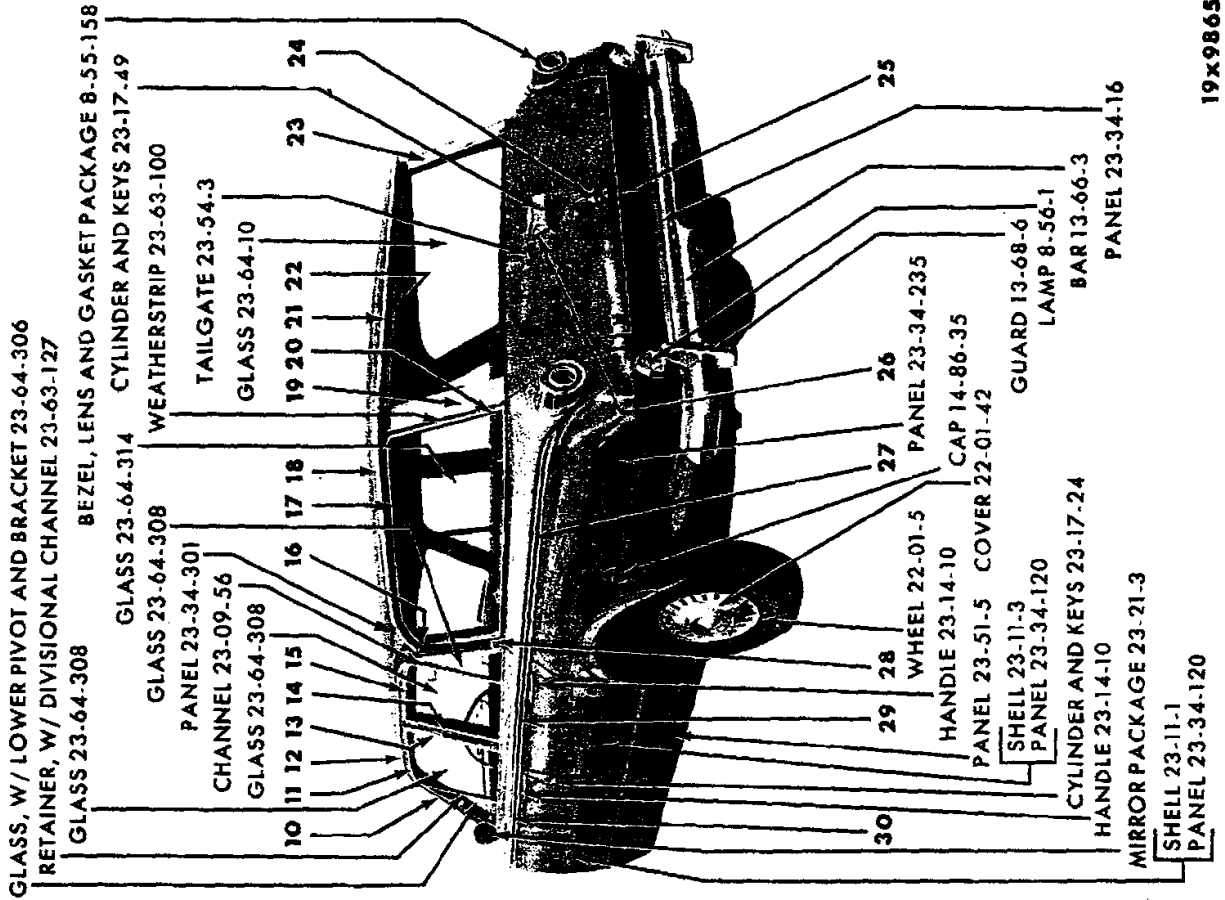
EXTERIOR VIEW - DART VLi-2(H) CONVERTIBLE COUPE

REF. NO.	QTY	PART NUMBER	DESCRIPTION	REF. NO.	QTY	PART NUMBER	DESCRIPTION
1	1	2484 406-7	MOULDING, Windshield Opening Frame Outside Side (23-23-65)	13	1	2422 190-1	MOULDING, Quarter Panel Belt Rear (23-23-39)
	8	6024 271	Screw	2	6024 472	Fastener	
1A	2	2524 008	ORNAMENT, Fender Side V8, VL2 Only (12-15-21)	6	6024 477	Fastener	
2	2	2417 849	NAME PLATE, Fender Side (12-15-21)	14	1	2484 104-5	COVER, Quarter Belt to Deck Opening Upper Panel Moulding Joint (23-23-41)
	4	6006 263	Nut 4 6024 705 Washer	2	6024 477	Stud Fastener	
3	1	2495 170-1	MOULDING PACKAGE, Fender Side (12-15-2)	15	1	2495 754-5	MOULDING PACKAGE, Quarter Panel Peak Front (23-23-39)
	4	6000 705	Clip	4	6001 097	Retainer	
	8	6001 458	Clip	4	-----	Nut	
	2	6001 736	Clip 6 ----- Nut	16	1	2255 948	MOULDING, Deck Upper Panel (23-23-31)
4	1	2417 677	NAME LETTER, Radiator Grille "D" (7-16-61)	9	6024 477	Fastener	
	1	2417 678	"O"	17	1	2424 453	MEDALLION, Deck Lid (23-19-114)
	1	2417 679	"D"	1	2424 455	MEDALLION and BASE, Deck Lid (23-19-114)	
	1	2417 680	"G"	2	6023 097	Nut	
	1	2417 681	"E"	18	1	2448 595	MOULDING PACKAGE, Deck Lid, w/Name (23-23-30)
5	10	9415 250	Nut	7	6001 473	Retainer	
5	1	2495 162	MOULDING PACKAGE, Radiator Air Shield Upper (7-26-14)	7	446 618	Nut	
	6	6001 663	Clip	19	2	2495 368	MOULDING PACKAGE, Quarter Panel Peak Rear (23-23-39)
6	1	2495 163	MOULDING PACKAGE, Radiator Air Shield Lower (7-26-14)	14	6001 097	Retainer	
	6	6001 519	Clip	16	-----	Nut	
7	1	2495 702-3	MOULDING PACKAGE, Radiator Air Shield Outer (7-26-14)	20	1	2495 406-7	MOULDING PACKAGE, Quarter Panel Lower Rear (23-23-39)
	2	116 000	Nut	4	6001 572	Retainer	
	2	6000 616	Nut	8	-----	Nut	
8	1	2495 179	MOULDING PACKAGE, Hood Front, w/Medallion (15-25-2)	2	6023 574	Screw	
	4	6023 934	Nut	21	1	2495 400-1	MOULDING PACKAGE, Quarter Panel Lower (23-23-39)
9	1	2424 106	MOULDING, Windshield Outside Lower (23-23-65)	12	6001 571	Clip	
	7	6001 524	Clip and Seal	6	6001 567	Retainer	
10	1	2082 278	LOCKINGSTRIP, Windshield Glass Weatherstrip (23-66-239)	2	6024 271	Screw	
	2	6000 705	Clip	2	6024 679	Nut	
11	1	2422 180-1	MOULDING, Windshield Header Outside Upper (23-23-65)	22	1	2526 976-7	DEFLECTOR, Quarter Panel Wheel Opening Stone (23-34-240)
	7	6024 400	Screw and Sealer	6	6024 288	Screw	
12	1	2424 170-1	MOULDING, Quarter Panel Belt Front (23-23-39)	23	2	2423 898	MEDALLION, Quarter Outside 270 (23-34-334)
	2	6024 472	Fastener	4	152 259	Nut	
	2	6023 898	Screw	24	1	2495 394-5	MOULDING PACKAGE, Door (23-23-32)
				10	6001 567	Retainer	
				4	6001 570	Retainer	
				4	9418 877	Nut	

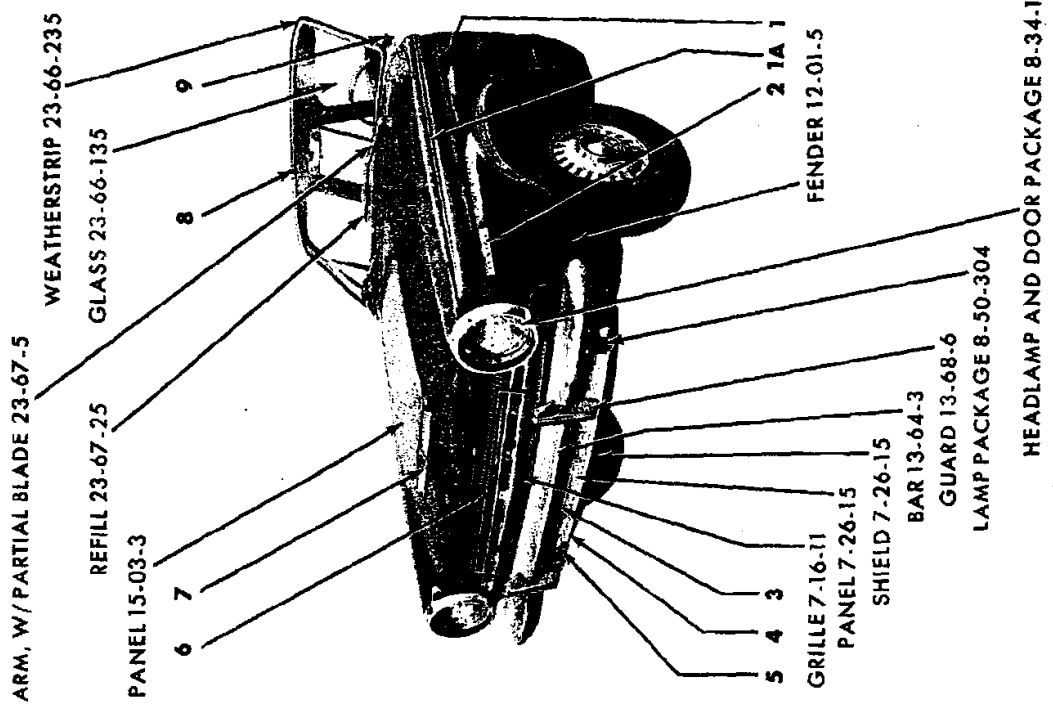
All Packages Include Attaching Parts

Part Type Code is Indicated in Parentheses

EXTERIOR VIEW - DART VL1-2(H) CONVERTIBLE COUPE



19X9865A



EXTERIOR VIEW - DART V6-2(H) 4 DOOR STATION WAGON

REF. NO.	QTY	PART NUMBER	DESCRIPTION	REF. NO.	QTY	PART NUMBER	DESCRIPTION
1	2	2524 008	ORNAMENT, Fender Side V8, VL2 Only (12-15-21)	18	1	2422 650-1	MOULDING, Roof Side Drain Trough (23-59-61)
1A	1	2495 170-1	MOULDING PACKAGE, Fender Side (12-15-2)	19	1	2421 579-80	MOULDING PACKAGE, Rear Upper Pillar Outside (23-23-60)
	4	6000 705	Clip 2 6001 736 Clip		4	6001 077	Clip
	8	6001 458	Clip 6 ---- --- Nut		4	6024 271	Clip
2	2	2417 849	NAME PLATE, Fender Side (12-15-21)		2	9418 471	Screw
	4	6024 705	Washer 4 6006 263 Nut	20	2	2424 624	CAP, Quarter Window Locking-strip Lower Rear (23-63-117)
3	1	2495 162	MOULDING PACKAGE, Radiator Air Shield Upper (7-26-14)	21	1	2484 162-3	MOULDING, Roof Rear Drain Trough (23-59-61)
	6	6001 663	Clip	22	1	2448 401	MOULDING PACKAGE, Tailgate Opening Upper (23-23-60)
4	1	2495 163	MOULDING PACKAGE, Radiator Air Shield Lower (7-26-14)		5	6001 451	Clip
	6	6001 519	Clip	23	1	2421 577-8	MOULDING PACKAGE, Rear Upper Pillar Outside (23-23-60)
5	1	2495 702-3	MOULDING PACKAGE, Radiator Air Shield Outer (7-26-14)		6	6001 076	Clip
	2	116 000	Nut		4	6024 271	Clip
	2	6000 516	Nut		4	6001 077	Screw
6	1	2417 677	NAME LETTER, Radiator Grille, "D" (7-16-61)	24	1	2480 207 (1)	MEDALLION, Tailgate Outside (270) (23-54-11)
	1	2417 678	"O"		1	2527 831 (2)	MEDALLION, Tailgate Outside (270) (23-54-11)
	1	2417 679	"D"		2	9415 250	Nut
	1	2417 680	"G"	25	2	2417 677	"D", Tailgate Outside Panel Letter (23-54-11)
	1	2417 681	"E"		1	2417 678	"O"
	10	9415 250	Nut		1	2417 680	"G"
7	1	2495 179	MOULDING PACKAGE, Hood Front (15-25-2)		1	2417 681	"E"
	4	6023 934	Nut		5	9415 250	Nut
8	1	2082 278	LOCKINGSTRIP, Windshield Glass Weatherstrip (23-66-239)	26	1	2299 752	ORNAMENT, w/Stud, Tailgate Electric Window Regulator Outside (23-54-11)
9	1	2480 384-5	MOULDING, Front Upper Pillar (23-23-14)		3	116 000	Nut, w/Washer
	4	9419 261	Screw	27	1	2495 384-5	MOULDING PACKAGE, Quarter Panel (23-23-39)
10	1	2484 424-5	MOULDING, Roof Side Drain Trough Front (23-59-61)		6	6001 443	Retainer
11	1	2216 946-7	MOULDING, Front Door Window Frame Upper and Front (23-23-32)		2	6024 271	Screw
12	1	2255 936-7	MOULDING, Roof Side Drain Trough Rear (23-59-61)		10	6001 460	Clip
13	1	2216 950-1	MOULDING, Front Door Window Frame Rear (23-23-32)		2	6000 705	Clip
14	1	2216 950-1	MOULDING, Rear Door Window Frame Front (23-23-33)		2	6024 679	Nut
15	1	2217 014-5	MOULDING, Rear Door Window Frame Upper and Rear (23-23-33)		8	6001 456	Retainer
16	2	2424 625	CAP, Quarter Window Locking-strip Upper Front (23-63-117)	28	1	2422 784-5	NAME PLATE, Roof Panel Extension (23-34-238)
17	2	2243 513	LOCKINGSTRIP, Quarter Window Glass Weatherstrip (23-63-110)		2	6001 105	Clip
				29	1	2495 398-9	MOULDING PACKAGE, Rear Door Lower (23-23-33)
					8	6001 567	Retainer
					8	6001 570	Retainer
					8	9418 877	Nut
				30	1	2495 396-7	MOULDING PACKAGE, Front Door Lower (23-23-32)
					8	6001 567	Retainer
					8	6001 570	Retainer
					8	9418 877	Nut

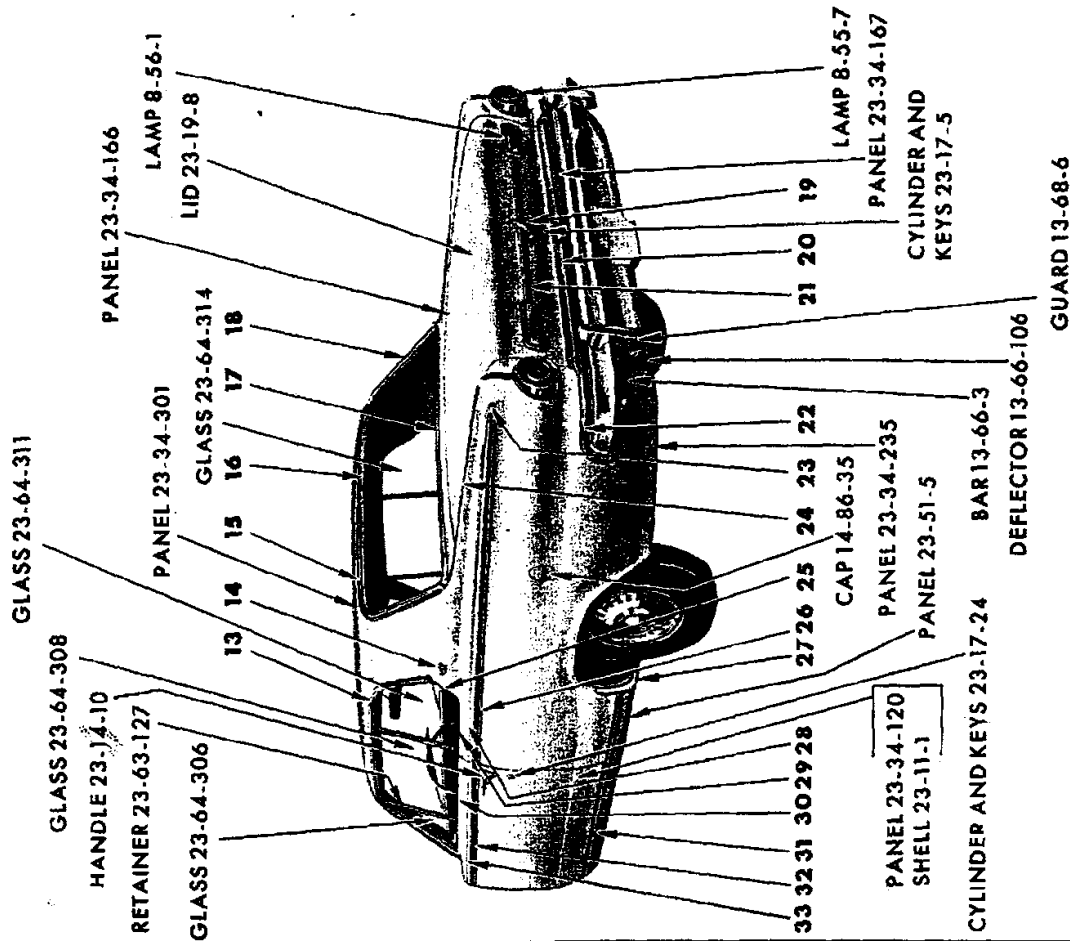
NOTE 1: Back Side Painted Black

NOTE 2: Back Side Painted Green

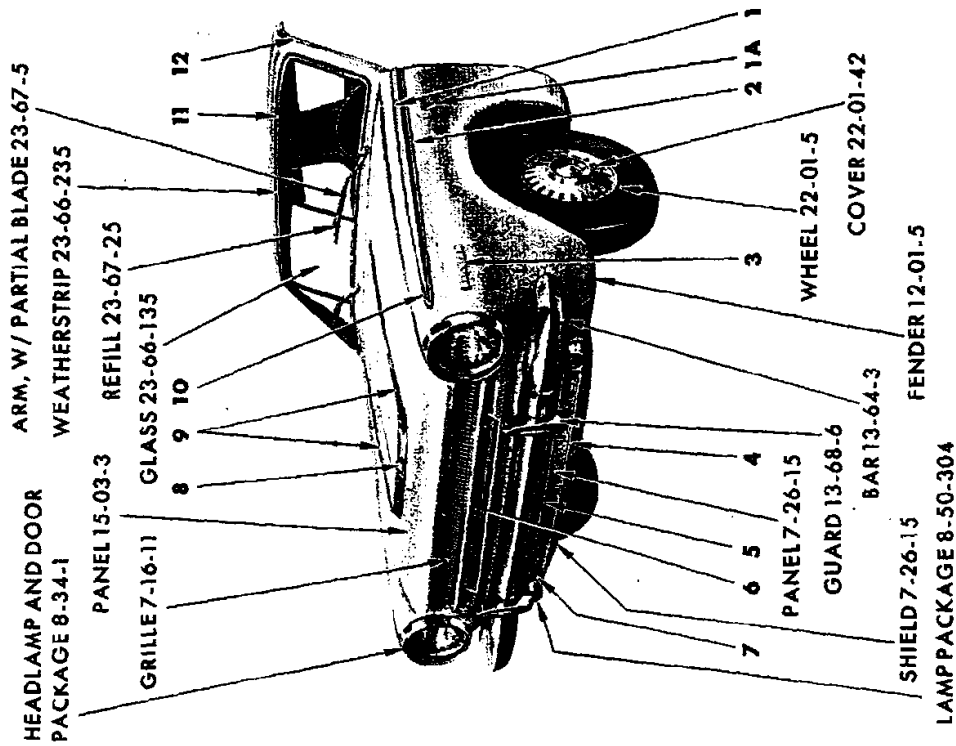
All Packages Include Attaching Parts

Part Type Code is Indicated in Parentheses

EXTERIOR VIEW - DART VL1-2(H) 4 DOOR STATION WAGON



19x98198



EXTERIOR VIEW - DART VLI-2(P) 2 DOOR HARDTOP

# 1964 PASSENGER CAR PARTS CATALOG

BODY

Page 23-67

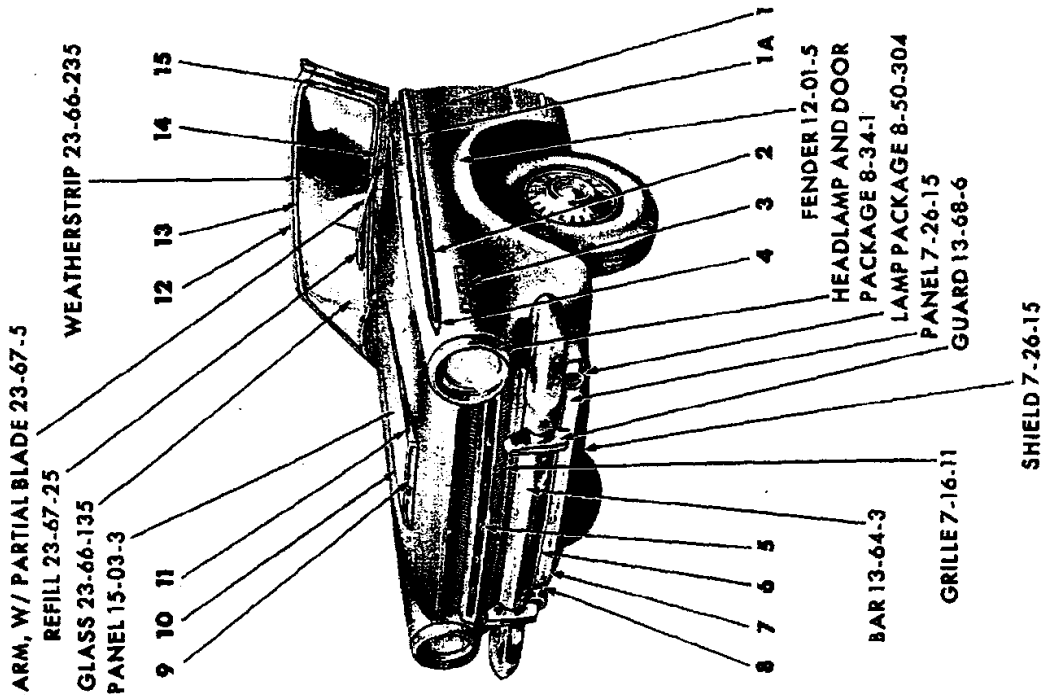
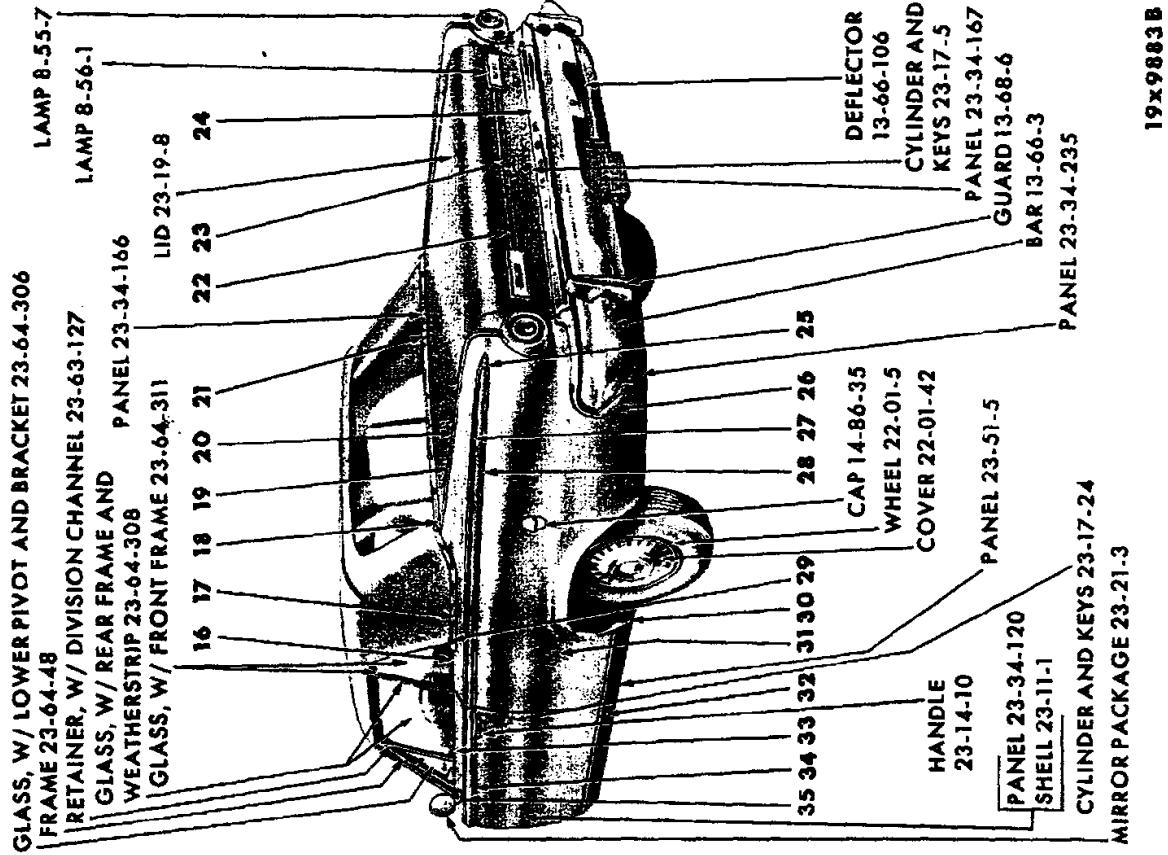
REF. NO.	QTY	PART NUMBER	DESCRIPTION	REF. NO.	QTY	PART NUMBER	DESCRIPTION
1	1	2495 174-5	MOULDING PACKAGE, Fender Side Upper (12-15-2)	19	1	2424 454	MEDALLION and BASE, Deck Lid (23-19-114)
	14	6001 443	Retainer		2	6023 097	Nut
	4	6001 030	Retainer 4 6000 616 Nut		1	2424 452	MEDALLION, Deck Lid (23-19-114)
1A	2	2524 008	ORNAMENT, Fender Side V8, VL2 Only (12-15-21)	20	1	2448 595	MOULDING PACKAGE, Deck Lid (23-23-30)
2	2	2495 172	MOULDING PACKAGE, Fender Side Lower (12-15-2)		7	6001 473	Retainer
	14	6001 456	Retainer		7	446 618	Nut
	4	6001 030	Retainer 4 6000 616 Nut	21	1	2448 594	MOULDING PACKAGE, Deck Lid (23-23-30)
3	2	2417 849	NAME PLATE, Fender Side (12-15-21)		4	6023 097	Nut
	4	6006 263	Nut 4 6024 705 Washer	22	1	2495 406-7	MOULDING PACKAGE, Quarter Panel Lower Rear (23-23-39)
4	1	2495 163	MOULDING PACKAGE, Radiator Air Shield Lower (7-26-14)		4	6001 572	Retainer
	6	6001 519	Clip		8	----	Nut
5	1	2495 162	MOULDING PACKAGE, Radiator Air Shield Upper (7-26-14)		2	6023 574	Screw
	6	6001 663	Clip	23	1	2495 382-3	MOULDING PACKAGE, Quarter Panel End (23-23-39)
6	1	2417 877	NAME LETTER, Radiator Grille, "D" (7-16-61)		2	6022 013	Washer
	1	2417 878	"O"		2	6023 260	Nut
	1	2417 879	"D"	24	1	2495 376-7	MOULDING PACKAGE, Quarter Panel Peak (23-23-39)
	1	2417 680	"G"		14	6001 097	Retainer
	1	2417 681	"E"		14	----	Nut
7	1	2495 702-3	MOULDING PACKAGE, Radiator Air Shield Outer (7-26-14)	25	1	2448 176-7	MOULDING PACKAGE, Quarter Panel Belt Rear (23-23-39)
	2	116 000	Nut 2 6000 616 Nut		2	6024 135	Screw
8	1	2495 173	MOULDING PACKAGE, Hood Front, w/Medallion (15-25-2)		2	168 474	Screw
	4	6023 934	Nut	26	2	2495 386	MOULDING PACKAGE, Quarter Panel Lower (23-23-39)
9	1	2495 178	MOULDING PACKAGE, Hood Top, Right (15-25-2)		4	6024 271	Screw
	1	2495 177	MOULDING PACKAGE, Hood Top, Left (15-25-2)		14	6001 456	Retainer
	6	6023 934	Nut 4 116 000 Nut		10	6001 443	Retainer
10	1	2495 168-9	CAP PACKAGE, Fender Side Upper to Lower Moulding (12-15-9)	27	1	2526 976-7	DEFLECTOR, Quarter Panel Wheel Opening Stone (23-34-240)
	4	6000 616	Nut		6	6024 288	Screw
11	1	2082 278	LOCKINGSTRIP, Windshield Glass Weatherstrip (23-66-239)	28	1	2495 378-9	MOULDING PACKAGE, Quarter Panel Upper (23-23-39)
12	1	2484 424-5	MOULDING, Roof Side Drain Trough Front (23-59-61)		24	6001 443	Retainer
13	1	2422 432-3	MOULDING, Roof Side Drain Trough Rear (23-59-61)		4	6024 271	Screw
14	2	2255 116	MEDALLION, Quarter Outside Medallion (23-34-334)	29	1	2525 582	MOULDING PACKAGE, Quarter Panel Belt Front (23-23-39)
	4	6001 254	Clip		6	6001 490	Retainer
15	1	2481 050-1	MOULDING, Roof Panel Outside Rear (23-23-42)		2	168 474	Screw
	16	6001 084	Retainer	30	1	2448 430-1	MOULDING PACKAGE, Door Belt (23-23-39)
16	1	2495 279	MOULDING PACKAGE, Rear Window Outside Upper (23-23-52)		10	6001 490	Retainer
	8	6001 084	Retainer		2	6001 440	Retainer
17	1	2495 286	MOULDING PACKAGE, Rear Window Outside Lower (23-23-52)		2	9415 312	Nut
	5	6001 084	Retainer	31	2	2495 371	MOULDING PACKAGE, Body Side Sill (23-23-2)
18	1	2495 284-5	MOULDING PACKAGE, Rear Window Outside Side (23-23-52)		2	----	Clip and Bolt
	6	6001 084	Retainer		2	6000 955	Retainer
					18	6001 428	Clip
				32	2	2495 370	MOULDING PACKAGE, Door Lower (23-23-32)
					6	6001 432	Retainer
					6	9418 877	Nut
					14	6001 456	Retainer
				33	1	2495 380-1	MOULDING PACKAGE, Door Upper (23-23-32)
					8	6001 432	Retainer
					8	9418 877	Nut
					14	6001 456	Retainer

All Packages include Attaching Parts

Part Type Code is Indicated in Parentheses

EXTERIOR VIEW - DART VL1-2(P) 2 DOOR HARDTOP





EXTERIOR VIEW - DART VLi-2(P) CONVERTIBLE COUPE

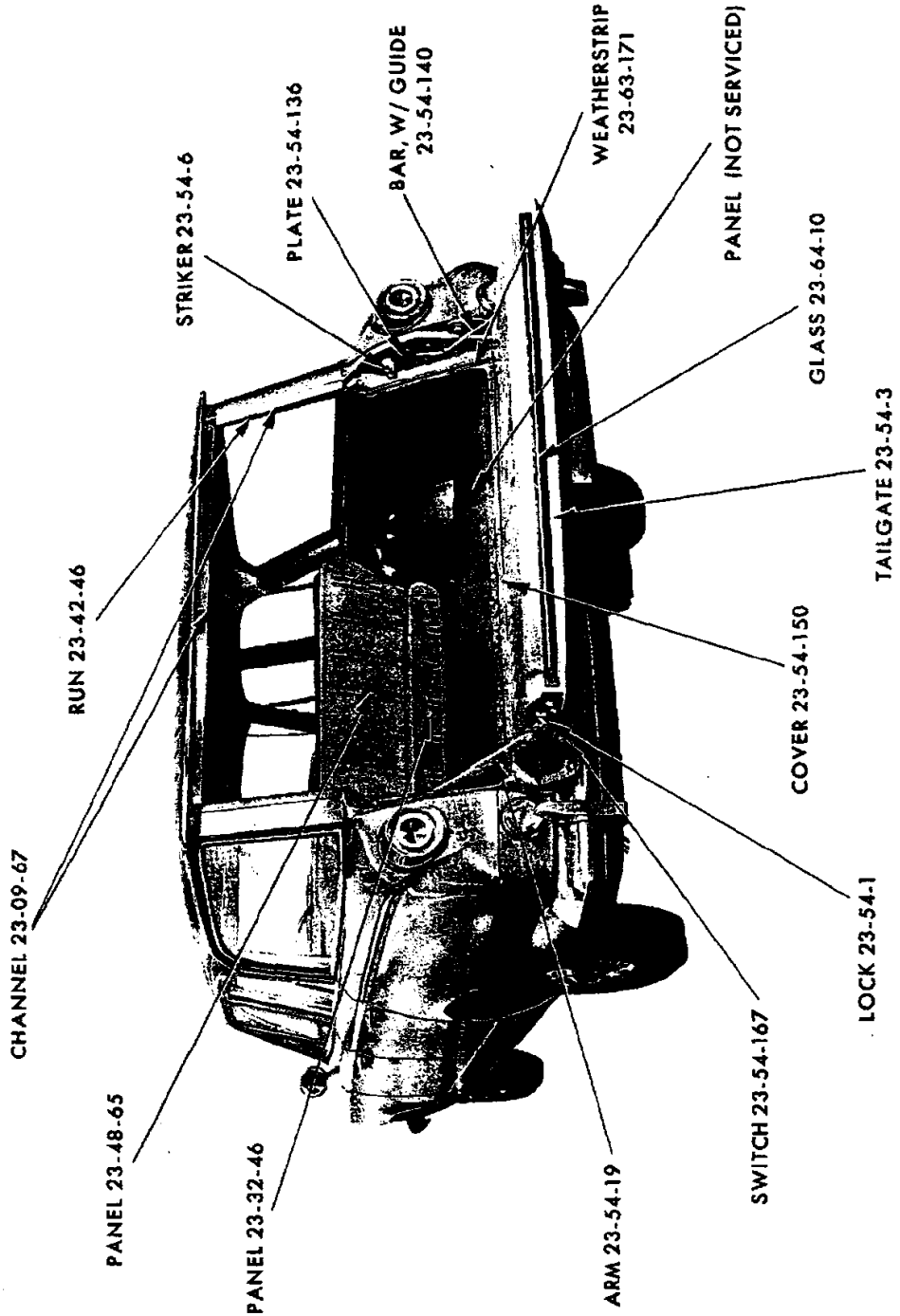
REF. NO.	QTY	PART NUMBER	DESCRIPTION	REF. NO.	QTY	PART NUMBER	DESCRIPTION
1	2	2524 008	ORNAMENT, Fender Side V8, VL2 Only (12-15-21)	19	1	2495 754-5	MOULDING PACKAGE, Quarter Panel Peak Front (23-23-39)
1A	1	2495 174-5	MOULDING PACKAGE, Fender Side Upper (12-15-2)		4	6001 097	Retainer 4 ---- --- Nut
	4	6001 030	Retainer	20	2	2495 368	MOULDING PACKAGE, Quarter Panel Peak Rear (23-23-39)
	14	6001 443	Retainer 4 6000 616 Nut		14	6001 097	Retainer 16 ---- --- Nut
2	2	2495 172	MOULDING PACKAGE, Fender Side Lower (12-15-2)	21	1	2255 948	MOULDING, Deck Upper Panel (23-23-31)
	4	6001 430	Retainer		9	6024 477	Fastener
	14	6001 456	Retainer 4 6000 616 Nut	22	1	2448 594	MOULDING PACKAGE, Deck Lid Upper (23-23-30)
3	2	2417 849	NAME PLATE, Fender Side (12-15-21)		4	6023 097	Nut
	4	6006 263	Nut 4 6024 705 Washer	23	1	2424 452	MEDALLION, Deck Lid (23-19-114)
4	1	2495 168-9	CAP PACKAGE, Fender Side Upper to Lower Moulding (12-15-9)		1	2424 454	MEDALLION and BASE, Deck Lid (23-19-114)
	4	6000 616	Nut		2	6023 097	Nut
5	1	2417 677	NAME LETTER, Radiator Grille, "D" (7-16-61)	24	1	2448 595	MOULDING PACKAGE, Deck Lid, w/Name (23-23-30)
	1	2417 678	"O"		7	6001 473	Retainer 7 446 618 Nut
	1	2417 679	"D"	25	1	2495 382-3	MOULDING PACKAGE, Quarter Panel End (23-23-39)
	1	2417 680	"G"		2	6022 013	Washer 2 6023 260 Nut
	1	2417 681	"E" 10 9415 250 Nut	26	1	2495 406-7	MOULDING PACKAGE, Quarter Panel Lower Rear (23-23-39)
6	1	2495 162	MOULDING PACKAGE, Radiator Air Shield Upper (7-26-14)		4	6001 572	Retainer
	6	6001 663	Clip		2	6023 574	Screw 8 ---- --- Nut
7	1	2495 163	MOULDING PACKAGE, Radiator Air Shield Lower (7-26-14)	27	1	2495 378-9	MOULDING PACKAGE, Quarter Panel Upper (23-23-39)
	6	6001 519	Clip		24	6001 443	Retainer 2 6024 271 Screw
8	1	2495 702-3	MOULDING PACKAGE, Radiator Air Shield Outer (7-26-14)	28	2	2495 386	MOULDING PACKAGE, Quarter Panel Lower (23-23-39)
	2	116 000	Nut 2 6000 616 Nut		14	6001 456	Retainer
9	1	2495 173	MOULDING PACKAGE, Hood Front, w/Medallion (15-25-2)		12	6001 443	Retainer 4 6024 271 Screw
	4	6023 934	Nut	29	1	2424 174-5	MOULDING, Quarter Panel Belt Intermediate (23-23-39)
10	1	2495 177	MOULDING PACKAGE, Hood Top, Left (15-25-2)		2	6024 472	Fastener 2 ---- --- Screw
	6	6023 934	Nut 4 ---- --- Nut	30	1	2526 976-7	DEFLECTOR, Quarter Panel Wheel Opening Stone (23-34-240)
11	1	2495 176	MOULDING PACKAGE, Hood Top, Right (15-25-2)		6	6024 288	Screw
	6	6023 934	Nut 4 ---- --- Nut	31	2	2255 116	MEDALLION, Quarter Outside Panel (23-34-334)
12	1	2422 180-1	MOULDING, Windshield Header Outside Upper (23-23-65)		4	6001 254	Clip
	7	6024 400	Screw and Sealer	32	2	2495 371	MOULDING PACKAGE, Body Side Sill (23-23-2)
13	1	2082 278	LOCKINGSTRIP, Windshield Glass Weatherstrip (23-66-239)		2	6000 955	Retainer
	18	6001 428	Clip 2 ---- --- Clip	33	1	2448 430-1	MOULDING PACKAGE, Door Belt (23-23-32)
14	1	2424 106	MOULDING, Windshield Outside Lower (23-23-65)		10	6001 490	Retainer
	7	6001 524	Clip and Seal		2	6001 440	Retainer 2 9415 312 Nut
15	1	2422 182-3	MOULDING, Windshield Opening Frame Outside Side (23-23-65)	34	1	2495 370	MOULDING PACKAGE, Door Lower (23-23-32)
	8	6024 271	Screw		14	6001 456	Retainer
16	1	2525 582-3	MOULDING PACKAGE, Quarter Panel Belt Front (23-23-39)		6	6001 432	Retainer 6 9418 877 Nut
	6	6001 490	Retainer 2 168 474 Screw	35	1	2495 380-1	MOULDING PACKAGE, Door Upper (23-23-32)
17	1	2422 190-1	MOULDING, Quarter Panel Belt Rear (23-23-39)		14	6001 456	Retainer
	2	6024 472	Fastener		8	6001 432	Retainer 8 9418 877 Nut
	6	6024 477	Fastener				
18	1	2484 104-5	COVER, Quarter Belt to Deck Opening Upper Panel Moulding Joint (23-23-41)				
	2	6024 477	Stud Fastener				

All Packages Include Attaching Parts

Part Type Code is Indicated in Parentheses

EXTERIOR VIEW - DART VL1-2(P) CONVERTIBLE COUPE

19x9874



REAR INTERIOR VIEW - DART VLI-2 STATION WAGON



REF. NO.	QTY	PART NUMBER	DESCRIPTION	REF. NO.	QTY	PART NUMBER	DESCRIPTION
1	1	2495 266-7	MOULDING PACKAGE, Fender Side Upper (12-15-2)	13	1	2480 920-1	MOULDING, Rear Window Outside Lower Corner (23-23-52)
	4	6001 591	Retainer		2	6023 693	Screw
	14	6001 497	Retainer	14	1	2495 269	MOULDING PACKAGE, Rear Window Outside Upper (23-23-52)
	4	6023 685	Nut		6	6001 525	Retainer and Screw
2	1	2525 552-3	MOULDING PACKAGE, Fender Side Lower (12-15-2)	15	1	2480 922	MOULDING, Rear Window Outside Lower (23-23-52)
	4	6001 591	Retainer		6	6023 693	Screw
	4	6023 685	Nut	16	1	2480 918-9	MOULDING, Rear Window Outside Side (23-23-52)
3	1	2495 716-7	CAP PACKAGE, Fender Side Moulding Front (12-15-9)		6	6001 525	Retainer and Screw
	8	6023 685	Nut	17	1	2486 313	ORNAMENT, Deck Lid Lock Cylinder (23-17-19)
4	1	2445 112-3	BASE, Fender Top Medallion (12-15-23)	18	2	2417 825	"D", Deck Lid Letter (23-19-114)
	2	-----	Nut		1	2417 826	"O"
5	2	2449 534	MEDALLION, Fender Top (12-15-21)		1	2417 828	"G"
6	1	2495 253	MOULDING PACKAGE, Hood Front (15-25-2)		1	2417 829	"E"
	8	-----	Nut		10	152 259	Nut
	8	6001 087	Retainer	19	2	2526 914	NAME PLATE, Quarter Outside (23-34-238)
7	1	2417 825	NAME LETTER, Hood Front "D" (15-06-16)		4	6023 260	Nut
	1	2417 826	"O"	20	1	2495 304-5	MOULDING PACKAGE, Quarter Panel Lower (23-23-39)
	1	2417 827	"D"		16	6001 497	Clip
	1	2417 828	"G"		4	6001 474	Retainer
	1	2417 829	"E"		4	-----	Washer
	10	1839 995	Nut		4	6024 679	Nut
8	1	2218 595	MOULDING, Windshield Outside Finish Lower (23-23-65)	21	1	2448 150-1	MOULDING PACKAGE, Quarter Panel Belt (23-23-39)
	10	6001 537	Retainer and Screw		6	6001 030	Retainer
9	1	2218 594	MOULDING, Windshield Outside Upper (23-23-65)		6	152 259	Nut
	8	6001 537	Retainer and Screw	22	1	2526 994-5	DEFLECTOR, Quarter Panel Wheel Opening (23-34-240)
10	1	2218 596-7	MOULDING, Windshield Outside Finish Side (23-23-65)		6	6024 288	Screw
	6	6023 247	Screw	23	1	2495 322-3	MOULDING PACKAGE, Rear Door (23-23-33)
11	1	2491 014-5	MOULDING, Windshield Outside Side Upper Extension (23-23-65)		10	6001 497	Clip
	6	6024 271	Screw		2	6001 108	Retainer
12	1	2483 436	MOULDING, Roof Drain Trough Side (23-59-61)		2	9418 877	Nut
				24	1	2495 326-7	MOULDING PACKAGE, Front Door (23-23-32)
					10	6001 497	Clip
					2	6001 108	Retainer
					2	9418 877	Nut

All Packages Include Attaching Parts

Part Type Code is Indicated in Parentheses

EXTERIOR VIEW - DODGE VD1-2(L) 4 DOOR SEDAN