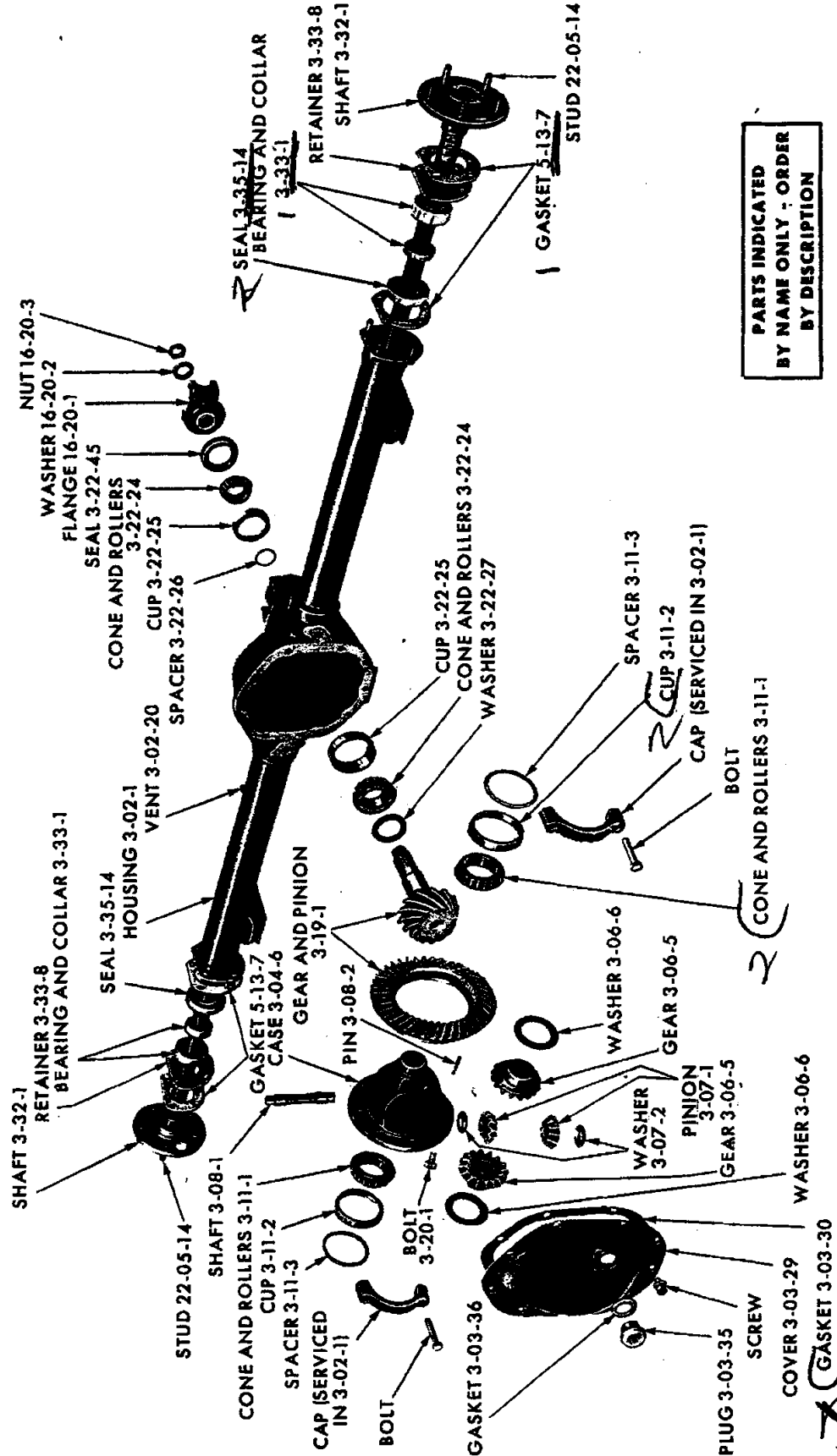


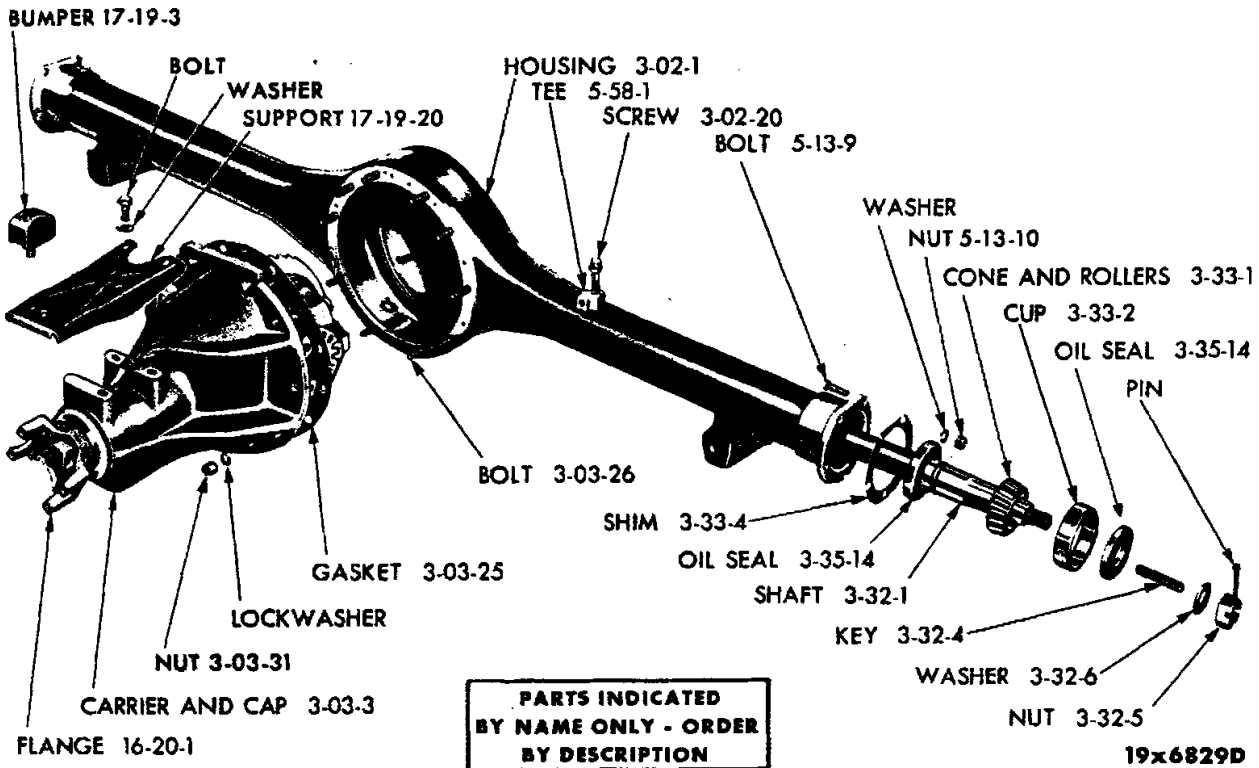
GROUP 3 - AXLE - REAR



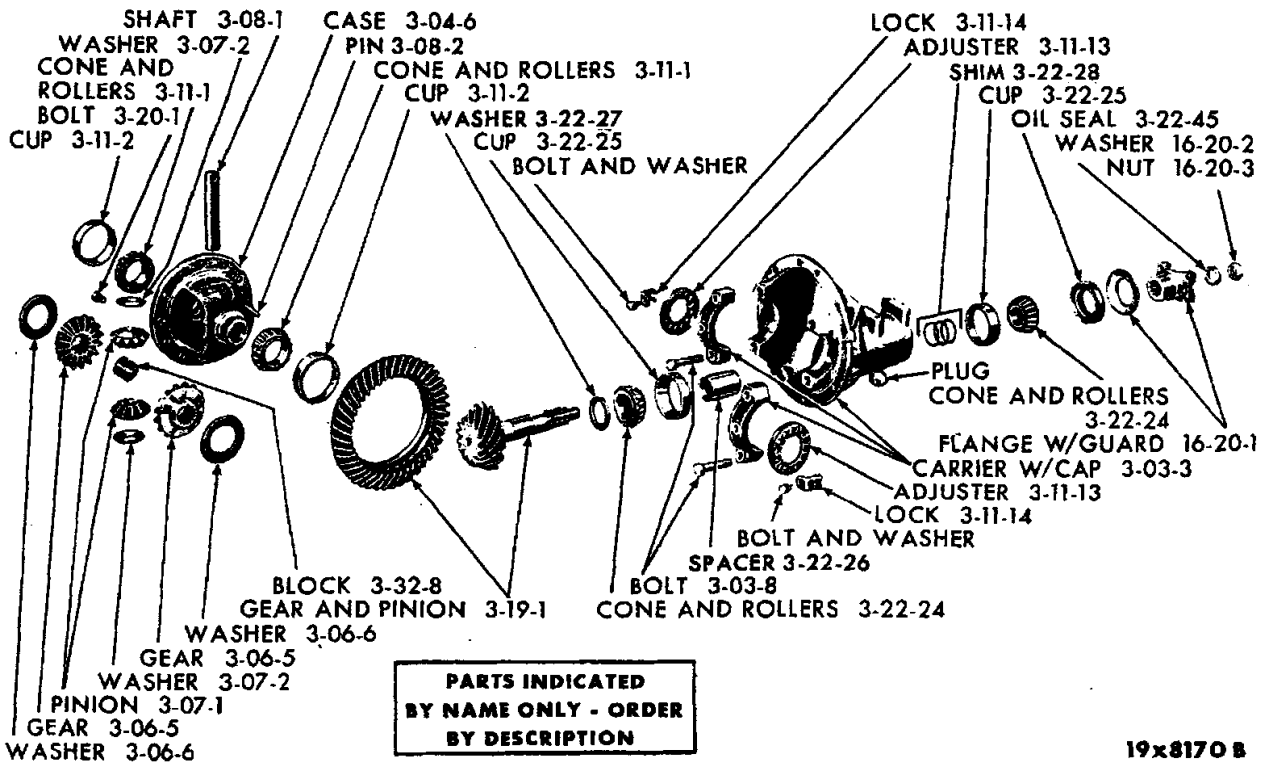
**PARTS INDICATED
 BY NAME ONLY - ORDER
 BY DESCRIPTION**

19x8727G

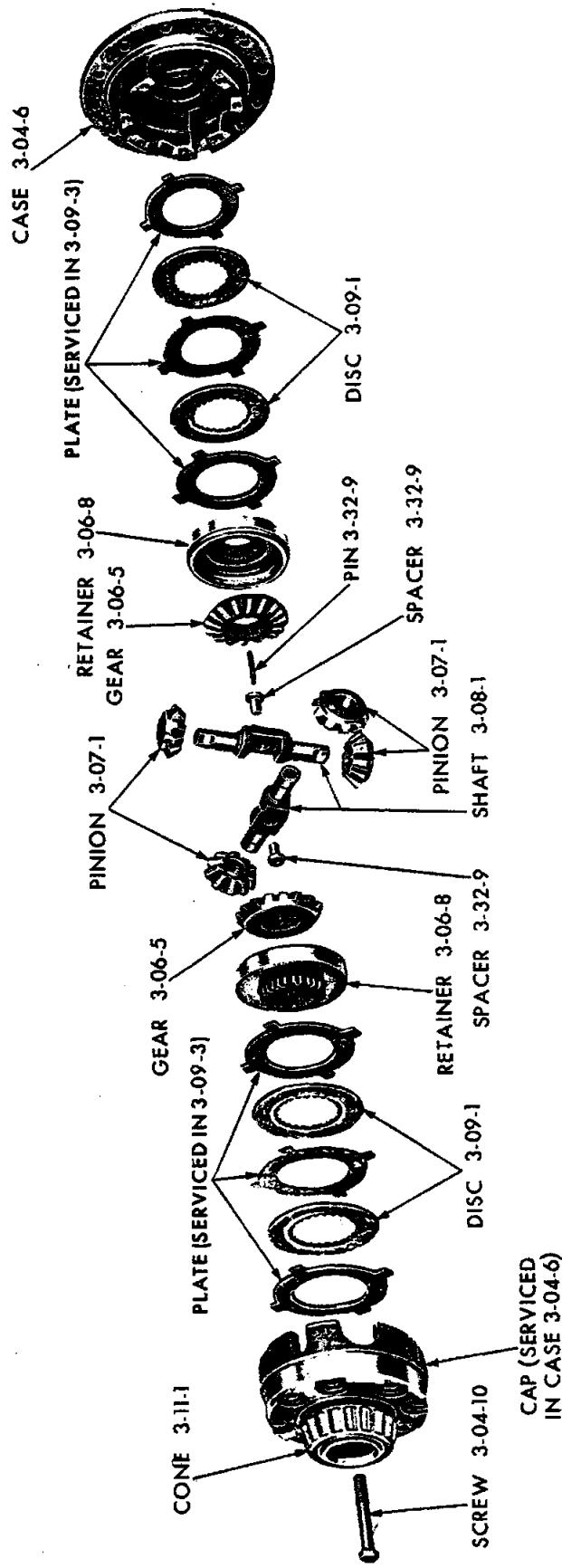
REAR AXLE DIFFERENTIAL AND CARRIER - VALIANT VV1-2 AND DART VL1-2



REAR AXLE HOUSING AND CARRIER - EXCEPT VALIANT VV1-2 AND DART VL1-2



REAR AXLE DIFFERENTIAL - EXCEPT VALIANT VV1-2 AND DART VL1-2



19x8320C

"NO-SPIN" REAR AXLE DIFFERENTIAL

CODE	PART NAME AND DESCRIPTION	CYL	PER CAR	VALIANT DART	PLYMOUTH DODGE	CHRYSLER IMPERIAL
------	---------------------------	-----	---------	--------------	----------------	-------------------

NOTE: Two Types of Differentials are being used in production on 8 cylinder cars.
 With 1 3/8" diameter pinion shaft. The Carrier has part number 1820 657 or 2020 741 embossed on it 2" below the yoke.
 With 1 3/4" diameter pinion shaft. The Carrier has part number 1634 985 or 2070 742 embossed on it 2" below the yoke.

3-01-0 REAR AXLE CONTROL STRUT

3-01-25	STRUT, VY1	8	2	----	----	1730 160
3-01-28	BUSHING, VY1	8	4	----	----	1635 600
3-01-30	SPACER, VY1	8	*	----	----	1731 769
3-01-33	HANGER, w/BOLTS, VY1	8	2	----	----	2403 248
	BRACKET, Right, VY1	8	1	----	----	*1829 998
	Left, VY1	8	1	----	----	*1829 999
3-01-34	BOLT, Hanger, VY1	8	8	----	----	2403 247
	WASHER, VY1	8	8	----	----	6022 190

3-02-0 REAR AXLE HOUSING

3-02-1	HOUSING		1	*2404 455		
	VP1, VP2, VD1, VD2		1	----	2404 271	
	VA3, VC1, VC2, VC3	8	1	----	2070 960	2070 960
	VP2, VD2, w/Sure-Grip, w/3.91 and 4.56 to 1 ratio, w/1 3/4" dia. Stem, w/426 Maximum Performance	8	1	----	*2070 539	
	VY1	8	1	----	----	2070 961
3-02-20	SCREW, Brake Tube Tee Vent, VC1, VC2, VC3		1	*2404 119	*2404 119	*2404 119
	VENT, Drive Type, VY1		1	----	----	*2124 715

3-03-0 REAR AXLE DIFFERENTIAL AND CARRIER

3-03-1	DIFFERENTIAL, W/CARRIER and TUBES,					
	3.23 to 1 ratio	6	1	*2467 328		
	3.55 to 1 ratio	6	1	*2467 138		
	3.91 to 1 ratio	6	1	*2467 139		
	2.93 to 1 ratio, w/225 cu.in. Engine	6	1	*2467 327		
	2.93 to 1 ratio, w/Sure-Grip		1	*2467 329		
	3.23 to 1 ratio, w/Sure-Grip		1	*2467 330		
	2.93 to 1 ratio	8	1	*2467 327		
	3.23 to 1 ratio	8	1	*2467 328		
	3.55 to 1 ratio	8	1	2467 142		
	DIFFERENTIAL, W/CARRIER, 2.93 to 1 ratio, w/8 1/4" dia. Gear, except Sta. Wgn.	6	1	----	2404 289	
	3.31 to 1 ratio, w/8 1/4" dia. Gear, except Sta. Wgn.	6	1	----	2404 290	
	2.76 to 1 ratio, VC1, VC3	8	1	----	2404 332	2404 332
	2.93 to 1 ratio, w/8 3/4" dia. Gear, 1 3/4" dia. Stem, VP1, VP2, VD1, VD2, VY1		1	----	*2467 345	*2467 345
	3.23 to 1 ratio, w/8 3/4" dia. Gear, VC1, VC2, VC3		1	----	2404 334	2404 334
	3.55 to 1 ratio, w/8 3/4" dia. Gear, 1 3/8" dia. Stem, VP1, VP2, VD1, VD2		1	----	2404 312	
	3.91 to 1 ratio, w/8 3/4" dia. Gear and 1 3/8" dia. Stem, VP1, VP2, VD1, VD2		1	----	2404 313	
	2.76 to 1 ratio, w/Sure-Grip, w/1 3/8" dia. Stem, VP2, VD2	8	1	----	2070 693	
	3.23 to 1 ratio, w/Sure-Grip, w/8 3/4" dia. Gear, w/1 3/8" dia. Stem, VP1, VP2, VD1, VD2		1	----	2070 774	
	2.76 to 1 ratio, w/Sure-Grip, w/1 3/4" dia. Stem, VA3, VC1, VC3	8	1	----	*2404 490	*2404 490

* Indicates use as required.

□ Indicates parts not listed in any previous parts book.

* Indicates change or addition.

Numerals in parentheses () refer to notes.

Prices and specifications subject to change without notice.

March 15, 1965 Supersedes March 15, 1964.

1964 PASSENGER CAR PARTS CATALOG

AXLE-REAR

CODE	PART NAME AND DESCRIPTION	CYL	PER CAR	VALIANT DART	PLYMOUTH DODGE	CHRYSLER IMPERIAL
3-03-0 REAR AXLE DIFFERENTIAL AND CARRIER - Cont'd						
3-03-1	DIFFERENTIAL, w/CARRIER - Cont'd					
	3.23 to 1 ratio, w/Sure-Grip, w/1 3/4" dia. Stem, VC1, VC2	8	1	----	*2404 492	*2404 492
	3.91 to 1 ratio, w/Sure-Grip, w/1 3/4" dia. Stem, VP2, VD2, w/426 Maximum Performance	8	1	----	*2404 493	
	2.93 to 1 ratio, w/Sure-Grip, w/1 3/4" dia. Stem, VY1	8	1	----	----	B2404 491
	4.56 to 1 ratio, w/Sure-Grip, w/1 3/4" dia. Stem, VP2, VD2, w/426 Maximum Performance	8	1	----	*2467 085	
3-03-2	DIFFERENTIAL ASSEMBLY, Partial, w/Sure-Grip		1	2404 390	2070 824	2070 824
3-03-3	CARRIER, w/CAPS, w/8 1/4" dia. Gear, except Sta. Wgn.	6	1	----	2070 782	
	w/8 3/4" dia. Gear, w/1 3/8" dia. Stem, VC1, VA3, except Sta. Wgn., w/2.76 to 1 ratio, VP1, VP2, VD1, VD2	1	1	----	1820 698	1820 698
	w/8 3/4" dia. Gear, w/1 3/4" dia. Stem	8	1	----	1834 984	1834 984
3-03-8	SCREW, Cap		4	----	314 948	314 948
3-03-25	GASKET, Carrier		1	----	1673 367	1673 367
3-03-26	BOLT, Housing to Carrier		*	----	1135 197	1135 197
	VY1	8	1	----	----	2404 480
3-03-29	COVER, Carrier		1	2070 119		
3-03-30	GASKET, Cover		1	2070 120		
3-03-31	NUT, Housing to Carrier Bolt		*	----	1485 066	1485 066
3-03-35	PLUG, Cover Filler		1	1392 371		
3-03-36	GASKET, Plug		1	2070 122		
3-04-0 DIFFERENTIAL CASE						
3-04-6	CASE	6	1	2070 537		
	w/Sure-Grip	8	1	2404 193		
	w/2.93 to 1 ratio, w/8 1/4" dia. Gear, except Sta. Wgn.	1	1	2404 414		
	w/3.31 to 1 ratio, w/8 1/4" dia. Gear, except Sta. Wgn.	6	1	----	2070 704	
	w/8 3/4" dia. Gear	6	1	----	2070 706	
	w/Sure-Grip	1	1	----	1850 370	1850 370
		1	1	----	2240 222	2240 222
3-04-10	SCREW, Case Cap, w/Sure-Grip		8	2404 421		
	w/Sure-Grip		8	----	1945 751	1945 751
3-06-0 DIFFERENTIAL SIDE GEAR						
3-06-5	GEAR	8	2	2070 023		
	w/Sure-Grip	8	2	2404 194		
	w/8 1/4" dia. Gear, except Sta. Wgn.	2	2	2404 418		
	w/8 3/4" dia. Gear, Flange dia. 1.688	6	2	----	2404 206	
	w/8 3/4" dia. Gear, Flange dia. 1.688	2	2	----	2404 202	2404 202
	w/Sure-Grip	2	2	----	2404 203	2404 203
		2	2	----	1829 448	1829 448

★ Indicates use as required.

Numerals in parentheses () refer to notes.

Printed in U.S.A.

E Indicates parts not listed in any previous parts book.

Prices and specifications subject to change without notice.

March 15, 1965 Supersedes March 16, 1964.

* Indicates change or addition.

CODE	PART NAME AND DESCRIPTION	CYL	PER CAR	VALIANT DART	PLYMOUTH DODGE	CHRYSLER IMPERIAL
3-06-0 DIFFERENTIAL SIDE GEAR - Cont'd						
3-06-6	WASHER, Thrust	6	2	2070 024		
		8	2	2404 196		
	w/8 1/4" dia. Gear, except Sta. Wgn.	6	2	----	2070 820	
	w/8 3/4" dia. Gear		2	----	1633 960	1633 960
3-06-8	RETAINER, w/Sure-Grip		2	2404 417		
	w/Sure-Grip		2	----	1829 447	1829 447
3-07-0 DIFFERENTIAL PINION						
3-07-1	PINION	6	2	2070 025		
		8	2	2404 195		
	w/Sure-Grip		2	2404 419		
	w/8 1/4" dia. Gear, except Sta. Wgn.	6	2	----	1326 219	
	w/8 3/4" dia. Gear		2	----	1633 959	1633 959
	w/Sure-Grip		2	----	1829 449	1829 449
3-07-2	WASHER	6	2	2070 026		
		8	2	2404 197		
	w/8 1/4" dia. Gear, except Sta. Wgn.	6	2	----	2070 821	
	w/8 3/4" dia. Gear		2	----	1633 961	1633 961
3-08-0 DIFFERENTIAL PINION SHAFT						
3-08-1	SHAFT	6	1	2070 027		
		8	1	2404 198		
	w/Sure-Grip		2	*2404 420		
	w/8 1/4" dia. Gear, except Sta. Wgn.	6	1	----	663 480	
	w/8 3/4" dia. Gear		1	----	1633 928	1633 928
	w/Sure-Grip		2	----	1829 446	1829 446
3-08-2	PIN, Lock		2	* 152 229		
			1	----	1633 937	1633 937
3-09-0 DIFFERENTIAL CLUTCH PARTS						
3-09-1	DISC, Clutch, w/Sure-Grip		2	----	1829 451	1829 451
3-09-3	REPAIR KIT, Differential, w/Sure-Grip		1	2404 427		
	w/Sure-Grip		1	----	2070 845	2070 845
3-11-0 DIFFERENTIAL BEARINGS						
3-11-1	CONE, w/ROLLERS		2	1937 771		
	w/8 1/4" dia. Gear, except Sta. Wgn.	6	2	----	698 404	
	w/8 3/4" dia. Gear		2	----	1790 523	1790 523
3-11-2	CUP		2	1937 770		
			2	----	698 403	698 403
3-11-3	SPACER, Adjusting, .2500" thk.		2	2070 848		
	.2520" thk.		2	2070 849		
	.2540" thk.		2	2070 082		
	.2560" thk.		2	2070 441		
	.2580" thk.		2	2070 442		
	.2600" thk.		2	2070 084		
	.2620" thk.		2	2070 443		
	.2640" thk.		2	2070 444		
	.2660" thk.		2	2070 086		
	.2680" thk.		2	2070 445		
	.2700" thk.		2	2070 446		
	.2720" thk.		2	2070 088		
	.2740" thk.		2	2070 447		
	.2760" thk.		2	2070 448		
	.2780" thk.		2	2070 090		

* Indicates use as required.

Numerals in parentheses () refer to notes.

Printed in U.S.A.

⊠ Indicates parts not listed in any previous parts book.

Prices and specifications subject to change without notice.

* Indicates change or addition.

March 15, 1965 Supersedes March 16, 1964.

CODE	PART NAME AND DESCRIPTION	CYL	PER CAR	VALIANT DART	PLYMOUTH DODGE	CHRYSLER IMPERIAL
3-11-0 DIFFERENTIAL BEARINGS - Cont'd						
3-11-3	SPACER - Cont'd					
	.2800" thk.		2	2070 449		
	.2820" thk.		2	2070 450		
	.2840" thk.		2	2070 092		
	.2860" thk.		2	2070 696		
	.2880" thk.		2	2070 697		
	.2900" thk.		2	2070 698		
	.2920" thk.		2	2070 850		
	.2940" thk.		2	2070 851		
3-11-13	ADJUSTER		2	---- --	601 864	601 864
3-11-14	LOCK, Adjuster		2	---- --	308 247	308 247
3-19-0 DRIVE GEAR AND PINION SET						
3-19-1	GEAR and PINION SET, 3.23 to 1 ratio, also specify 1556 556 Washer and 1556 638 Nut	6	1	*2467 326		
	3.55 to 1 ratio, also specify 1556 556 Washer and 1556 638 Nut		1	2467 134		
	2.93 to 1 ratio, w/o Sure Grip, also specify 1556 556 Washer and 1556 638 Nut	6	1	*2467 132		
	2.93 to 1 ratio, w/Sure-Grip also specify 1556 556 Washer and 1556 638 Nut	6	1	*2467 325		
	3.91 to 1 ratio, also specify 1556 556 Washer and 1556 638 Nut		1	2467 135		
	2.93 to 1 ratio, also specify 1556 556 Washer and 1556 638 Nut	8	1	*2467 325		
	3.23 to 1 ratio, also specify 1556 556 Washer and 1556 638 Nut	8	1	*2467 326		
	2.93 to 1 ratio, 8 1/4" dia. Gear, except Sta. Wgn.	6	1	---- --	2070 808	
	3.31 to 1 ratio, 8 1/4" dia. Gear, except Sta. Wgn.	6	1	---- --	2070 809	
	2.76 to 1 ratio, 8 3/4" dia Gear, 1 3/8" dia. Stem, VP2, VD2, VA3 except Sta. Wgn., VC1 except Sta. Wgn.	8	1	---- --	2070 689	2070 689
	2.93 to 1 ratio, 8 3/4" dia. Gear, 1 3/8" dia. Stem, VP1, VP2, VD1, VD2		1	---- --	2070 589	
	3.23 to 1 ratio, 8 3/4" dia. Gear, 1 3/8" dia. Stem, VP1, VP2, VD1, VD2		1	---- --	2070 816	
	3.55 to 1 ratio, 8 3/4" dia. Gear, 1 3/8" dia. Stem, VP1, VP2, VD1, VD2		1	---- --	2070 915	
	3.91 to 1 ratio, 8 3/4" dia. Gear, 1 3/8" dia. Stem, VP1, VP2, VD1, VD2		1	---- --	2070 300	
	2.76 to 1 ratio, 8 3/4" dia. Gear, 1 3/4" dia. Stem, VC1, VC3	8	1	---- --	2070 690	2070 690
	2.93 to 1 ratio, 8 3/4" dia. Gear, 1 3/4" dia. Stem, VP2, VD2, VY1	8	1	---- --	2070 570	2070 570
	3.23 to 1 ratio, 8 3/4" dia. Gear, 1 3/4" dia. Stem, VC1, VC2, VC3	8	1	---- --	2070 817	2070 817
	3.91 to 1 ratio, 8 3/4" dia. Gear, 1 3/4" dia. Stem, w/Sure-Grip, VP2, VD2, w/Maximum Performance	8	1	---- --	2404 127	
	4.56 to 1 ratio, 8 3/4" dia. Gear, 1 3/4" dia. Stem, w/Sure-Grip, VP2, VD2, w/Maximum Performance	8	1	---- --	1738 823	
	5.125 to 1 ratio, 8 3/4" dia. Gear, 1 3/4" dia. Stem, VP2, VD2, w/426 Maximum Performance	8	1	---- --	E2467 167	
	5.571 to 1 ratio, 8 3/4" dia. Gear, 1 3/4" dia. VP2, VD2, w/426 Maximum Performance	8	1	---- --	E2467 168	

★ Indicates use as required.

Numerals in parentheses () refer to notes.

Printed in U.S.A.

☐ Indicates parts not listed in any previous parts book.

Prices and specifications subject to change without notice.

March 15, 1965 Supersedes March 16, 1964.

* Indicates change or addition.

CODE	PART NAME AND DESCRIPTION	CYL.	PER CAR	VALIANT DART	PLYMOUTH DODGE	CHRYSLER IMPERIAL
3-20-0 DRIVE GEAR BOLT						
3-20-1	BOLT w/Sure-Grip		★ 12	1675 485 1945 768	1675 485 1945 768	1675 485 1945 768
3-22-0 DRIVE PINION BEARINGS						
3-22-24	CONE, Front Bearing, w/ROLLERS		1	*2070 316		
	Rear		1	*2070 318		
	Front, w/1 3/8" dia. Stem, VA3, VC1, except Sta. Wgn., w/2.76 ratio, VP1, VP2, VD1, VD2		1	----	1820 552	1820 552
	Rear, w/1 3/8" dia. Stem, VA3, VC1, except Sta. Wgn., w/2.76 ratio, VP1, VP2, VD1, VD2.		1	----	1401 809	1401 809
	Front, w/1 3/4" dia. Stem	8	1	----	1401 808	1401 808
	Rear, w/1 3/4" dia. Stem	8	1	----	1404 472	1404 472
3-22-25	CUP, Front Bearing		1	2070 317		
	Rear		1	2070 319		
	Front, w/1 3/8" dia. Stem, VA3, VC1, except Sta. Wgn., w/2.76 ratio, VP1, VP2, VD1, VD2		1	----	1820 551	1820 551
	Rear, w/1 3/8" dia. Stem, VA3, VC1, except Sta. Wgn., w/2.76 ratio, VP1, VP2, VD1, VD2		1	----	1401 810	1401 810
	Front, w/1 3/4" dia. Stem	8	1	----	1401 810	1401 810
	Rear, w/1 3/4" dia. Stem	8	1	----	1327 847	1327 847
3-22-26	SPACER, Front Bearing Adjusting, .074" thk. . .		★	2070 094		
	.075" thk.		★	2070 454		
	.076" thk.		★	2070 095		
	.077" thk.		★	2070 455		
	.078" thk.		★	2070 096		
	.079" thk.		★	2070 456		
	.080" thk.		★	2070 097		
	.081" thk.		★	2070 457		
	.082" thk.		★	2070 098		
	.083" thk.		★	2070 458		
	.084" thk.		★	2070 099		
	.085" thk.		★	2070 459		
	.086" thk.		★	2070 100		
	.087" thk.		★	2070 460		
	.088" thk.		★	2070 101		
	.089" thk.		★	2070 461		
	.090" thk.		★	2070 102		
	.091" thk.		★	2070 462		
	.092" thk.		★	2070 103		
	.093" thk.		★	2070 463		
	.094" thk.		★	2070 104		
	.095" thk.		★	2070 464		
	.096" thk.		★	2070 105		
	.097" thk.		★	2070 465		
	.098" thk.		★	2070 106		
	.099" thk.		★	2070 466		
	.100" thk.		★	2070 107		
	.101" thk.		★	2070 467		
	.102" thk.		★	2070 108		
	.103" thk.		★	2070 468		
	.104" thk.		★	2070 109		
	.105" thk.		★	2070 469		
	.106" thk.		★	2070 110		
	SPACER, Rear Bearing, w/8 1/4" dia. Gear . . .	6	1	----	2070 709	
	w/8 3/4" dia. Gear, 1 3/8" dia. Stem, VA3, VC1, except Sta. Wgn., w/2.76 ratio, VP1, VP2, VD1, VD2		1	----	1738 826	1738 826

★ Indicates use as required. Numerals in parentheses () refer to notes. Printed in U.S.A.
 ☐ Indicates parts not listed in any previous parts book. Prices and specifications subject to change without notice.
 * Indicates change or addition. March 15, 1965 Supersedes March 16, 1964.

173887

1964 PASSENGER CAR PARTS CATALOG

AXLE-REAR

CODE	PART NAME AND DESCRIPTION	CYL	PER CAR	VALIANT DART	PLYMOUTH DODGE	CHRYSLER IMPERIAL
3-22-0 DRIVE PINION BEARINGS - Cont'd						
3-22-27	WASHER, Rear Bearing, .084" thk.		★	1738 794		
	.086" thk.		★	1738 795		
	.088" thk.		★	1738 796		
	.090" thk.		★	1738 797		
	.092" thk.		★	1738 798		
	.094" thk.		★	1738 799		
	.096" thk.		★	1738 800		
	.098" thk.		★	1738 801		
	.100" thk.		★	1738 802		
	w/1 3/8" dia. Stem, .084" thk., VA3, VC1, except Sta. Wgn., w/2.76 ratio, VP1, VP2, VD1, VD2		★	----	1738 794	1738 794
	w/1 3/8" dia. Stem, .086" thk., VA3, VC1, except Sta. Wgn., w/2.76 ratio, VP1, VP2, VD1, VD2		★	----	1738 795	1738 795
	w/1 3/8" dia. Stem, .088" thk., VA3, VC1, except Sta. Wgn., w/2.76 ratio, VP1, VP2, VD1, VD2		★	----	1738 796	1738 796
	w/1 3/8" dia. Stem, .090" thk., VA3, VC1, except Sta. Wgn., w/2.76 ratio, VP1, VP2, VD1, VD2		★	----	1738 797	1738 797
	w/1 3/8" dia. Stem, .092" thk., VA3, VC1, except Sta. Wgn., w/2.76 ratio, VP1, VP2, VD1, VD2		★	----	1738 798	1738 798
	w/1 3/8" dia. Stem, .094" thk., VA3, VC1, except Sta. Wgn., w/2.76 ratio, VP1, VP2, VD1, VD2		★	----	1738 799	1738 799
	w/1 3/8" dia. Stem, .096" thk., VA3, VC1, except Sta. Wgn., w/2.76 ratio, VP1, VP2, VD1, VD2		★	----	1738 800	1738 800
	w/1 3/8" dia. Stem, .098" thk., VA3, VC1, except Sta. Wgn., w/2.76 ratio, VP1, VP2, VD1, VD2		★	----	1738 801	1738 801
	w/1 3/8" dia. Stem, .100" thk., VA3, VC1, except Sta. Wgn., w/2.76 ratio, VP1, VP2, VD1, VD2		★	----	1738 802	1738 802
	w/1 3/4" dia. Stem, .084" thk.	8	★	----	1738 812	1738 812
	w/1 3/4" dia. Stem, .086" thk.	8	★	----	1738 813	1738 813
	w/1 3/4" dia. Stem, .088" thk.	8	★	----	1738 814	1738 814
	w/1 3/4" dia. Stem, .090" thk.	8	★	----	1738 815	1738 815
	w/1 3/4" dia. Stem, .092" thk.	8	★	----	1738 816	1738 816
	w/1 3/4" dia. Stem, .094" thk.	8	★	----	1738 817	1738 817
	w/1 3/4" dia. Stem, .096" thk.	8	★	----	1738 818	1738 818
	w/1 3/4" dia. Stem, .098" thk.	8	★	----	1738 819	1738 819
	w/1 3/4" dia. Stem, .100" thk.	8	★	----	1738 820	1738 820
3-22-28	SHIM, Front Bearing Adjusting, w/1 3/8" dia. Stem, .014" thk., VA3, VC1, except Sta. Wgn., w/2.76 ratio, VP1, VP2, VD1, VD2		★	----	1820 703	1820 703
	w/1 3/8" dia. Stem, .016" thk., VA3, VC1, except Sta. Wgn., w/2.76 ratio, VP1, VP2, VD1, VD2		★	----	1820 704	1820 704
	w/1 3/8" dia. Stem, .018" thk., VA3, VC1, except Sta. Wgn., w/2.76 ratio, VP1, VP2, VD1, VD2		★	----	1820 705	1820 705
	w/1 3/8" dia. Stem, .020" thk., VA3, VC1, except Sta. Wgn., w/2.76 ratio, VP1, VP2, VD1, VD2		★	----	1820 706	1820 706

★ Indicates use as required.

⊘ Indicates parts not listed in any previous parts book.

Numerals in parentheses () refer to notes.

Printed in U.S.A.

Prices and specifications subject to change without notice.

March 16, 1964 Supersedes Sept. 6, 1963.

* Indicates change or addition.

CODE	PART NAME AND DESCRIPTION	CYL	PER CAR	VALIANT DART	PLYMOUTH DODGE	CHRYSLER IMPERIAL
3-22-O DRIVE PINION BEARINGS - Cont'd						
3-22-28	SHIM - Cont'd					
	w/1 3/8" dia. Stem, .022" thk., VA3, VC1, except Sta. Wgn., w/2.76 ratio, VP1, VP2, VD1, VD2		*	-----	1828 725	1828 725
	w/1 3/8" dia. Stem, .024" thk., VA3, VC1, except Sta. Wgn., w/2.76 ratio, VP1, VP2, VD1, VD2		*	-----	1829 440	1829 440
	w/1 3/8" dia. Stem, .026" thk., VA3, VC1, except Sta. Wgn., w/2.76 ratio, VP1, VP2, VD2		*	-----	1829 441	1829 441
	w/1 3/4" dia. Stem, .014" thk.	8	*	-----	1738 805	1738 805
	w/1 3/4" dia. Stem, .016" thk.	8	*	-----	1738 806	1738 806
	w/1 3/4" dia. Stem, .018" thk.	8	*	-----	1738 807	1738 807
	w/1 3/4" dia. Stem, .022" thk.	8	*	-----	1829 442	1829 442
	w/1 3/4" dia. Stem, .024" thk.	8	*	-----	1829 443	1829 443
	w/1 3/4" dia. Stem, .026" thk.	8	*	-----	1829 444	1829 444
3-22-45	OIL SEAL, Front Bearing		1	*2070 113		
	w/1 3/8" dia. Stem, VA3, VC1, except Sta. Wgn., w/2.76 ratio, VP1, VP2, VD1, VD2		1	-----	1738 831	1738 831
	w/1 3/4" dia. Stem	8	1	-----	1828 719	1828 719
3-32-O DRIVE SHAFT						
3-32-1	SHAFT		2	*2404 442		
	w/Sure-Grip, Right		1	2404 443		
	w/Sure-Grip, Left		1	2404 444		
	SHAFT, w/ 1 3/8" dia. Pinion Stem, 8 1/4" dia. Gear	8	2	-----	*1829 266	
	w/8 3/4" dia. Gear, VC1, VC2, VC3, 31 1/2" lgh.		2	-----	*1829 266	*1829 266
	3.91 and 4.56 to 1 ratio, w/1 3/4" dia. Pinion Stem, w/Sure-Grip, VP2, VD2, w/426 Maximum Performance, 30 7/16" lgh.	8	2	-----	*2404 050	
	VY1	8	2	-----	-----	1829 267
3-32-4	KEY		2	-----	1118 149	1118 149
3-32-5	NUT		2	-----	53 553	53 553
3-32-6	WASHER		2	-----	50 652	50 652
3-32-8	BLOCK, Thrust		1	-----	2404 149	2404 149
3-32-9	SPACER, Thrust Block, w/Sure-Grip		2	-----	1829 445	1829 445
	PIN, w/Sure-Grip		1	-----	273 703	273 703
3-33-O DRIVE SHAFT BEARINGS						
3-33-1	BEARING, w/COLLAR		2	2421 349		
	CONE, w/ROLLERS, VC1, VC2, VC3		2	-----	698 400	698 400
	VY1	8	2	-----	-----	1873 375
3-33-2	CUP, VC1, VC2, VC3		2	-----	698 399	698 399
	VY1	8	2	-----	-----	1188 715
3-33-4	SHIM, .005" thk.		*	-----	2070 866	2070 866
	.012" thk.		*	-----	2070 868	2070 868
	.030" thk.		*	-----	2070 870	2070 870
3-33-8	RETAINER, Bearing		2	2467 096		

★ Indicates use as required.

Ⓚ Indicates parts not listed in any previous parts book.

* Indicates change or addition.

Numerals in parentheses () refer to notes.

Prices and specifications subject to change without notice.

March 15, 1965 Supersedes March 10, 1964.

1964 PASSENGER CAR PARTS CATALOG

AXLE-REAR

CODE	PART NAME AND DESCRIPTION	C Y L	PER CAR	VALIANT DART	AXLE-REAR	
					PLYMOUTH DODGE	CHRYSLER IMPERIAL
3-35-0 DRIVE SHAFT OIL SEAL						
3-35-14	OIL SEAL, Bearing		2	*2404 052		
	Inner		2	---- --	2070 788	2070 788
	Outer, VC1, VC2, VC3		2	---- --	2265 811	2265 811
	Outer, VY1	8	2	---- --	---- --	2266 894

NOTES

(This section contains horizontal lines for handwritten notes.)