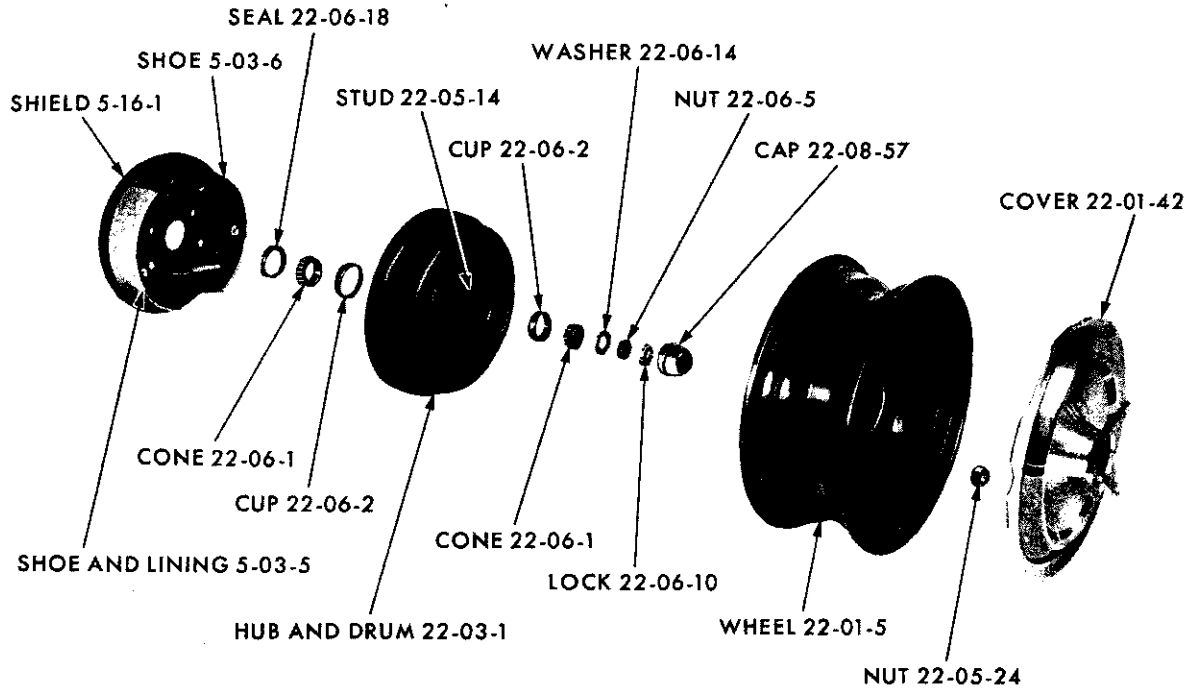
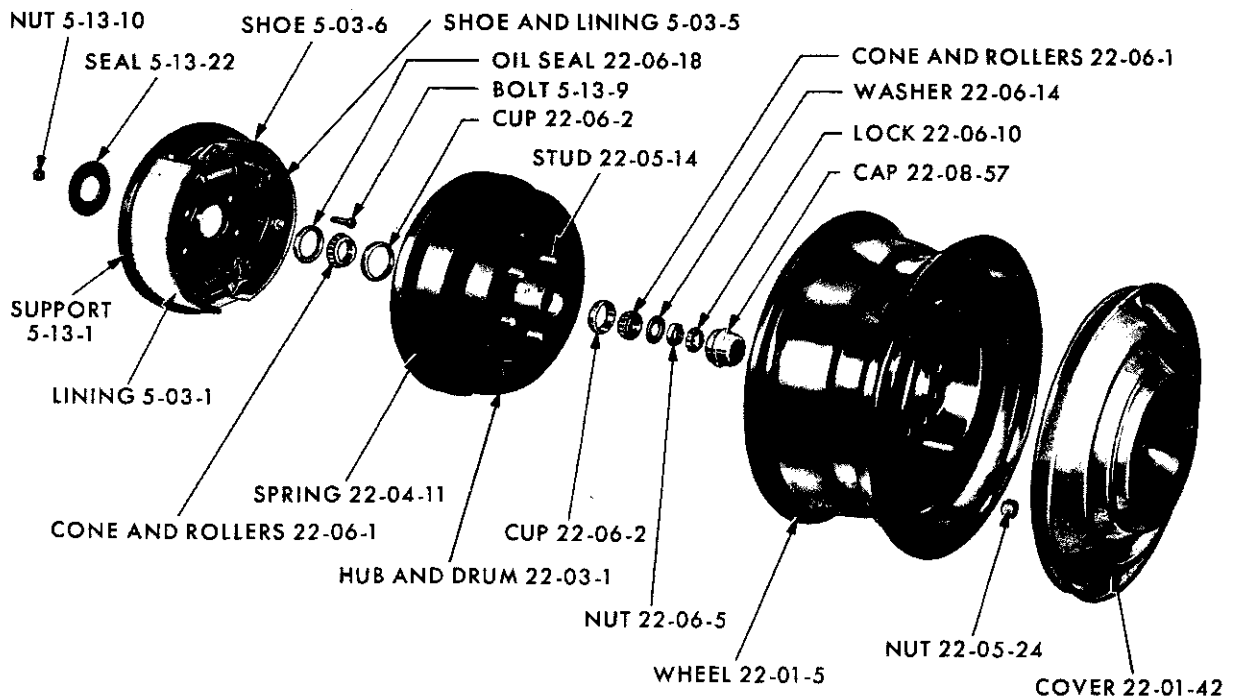


GROUP 22 - WHEELS



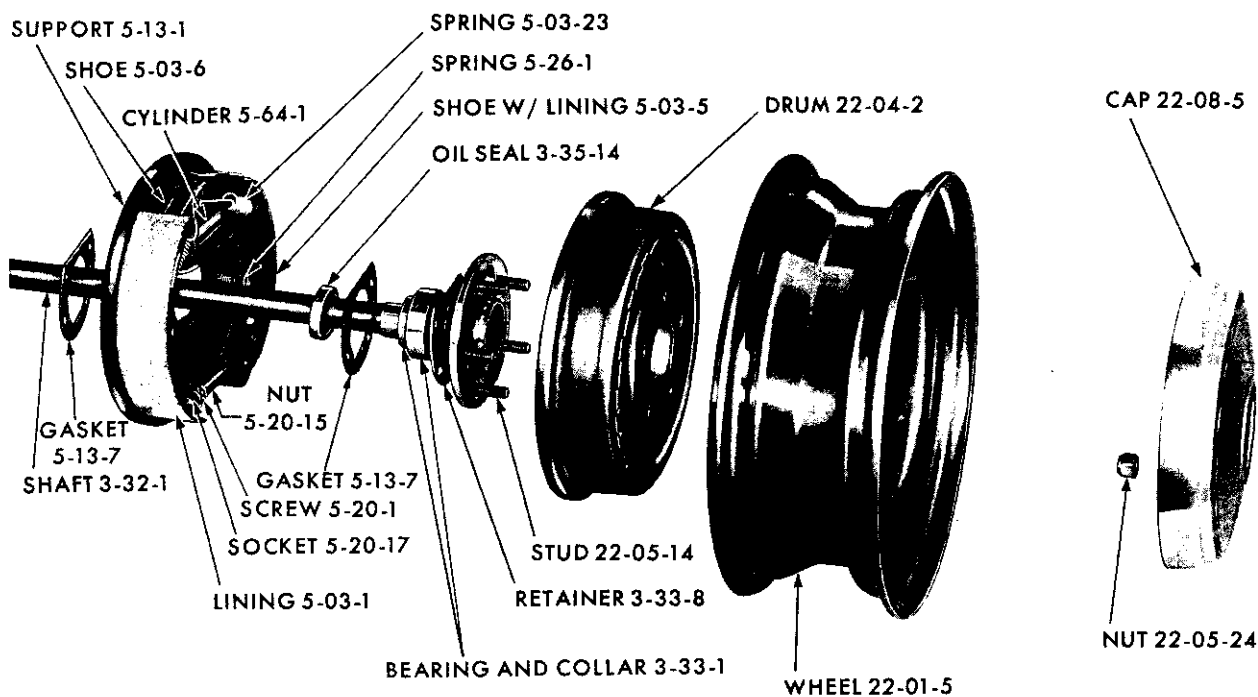
19x9589

FRONT WHEEL - VALIANT TV1, DART TL1, PLYMOUTH TP1-2 AND DODGE TD1-2



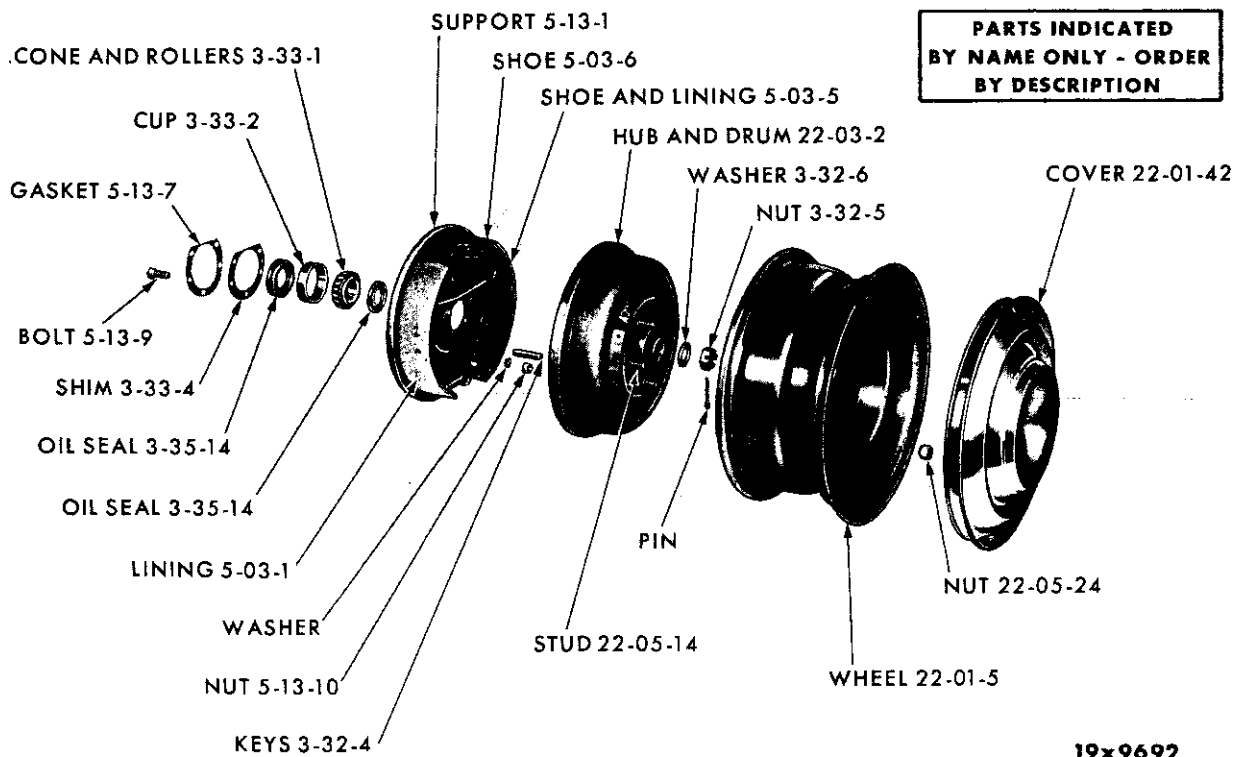
19x9691

FRONT WHEEL - DODGE TA3, CHRYSLER TC1-2-3 AND IMPERIAL TY1



19x8787C

REAR WHEEL - VALIANT TV1 AND DART TL1



19x9692

REAR WHEEL - EXCEPT VALIANT TV1 AND DART TL1

CODE	PART NAME AND DESCRIPTION	CYL.	PER CAR	VALIANT DART	PLYMOUTH DODGE	CHRYSLER IMPERIAL
------	---------------------------	------	---------	--------------	----------------	-------------------

TIRE CHART

22-01-0 WHEELS

Wheel Size	Tire Size
13 x 4.50	6.50 x 13
14 x 5.00	6.50 x 14 - 7.00 x 14 - 7.50 x 14
14 x 5.50	7.00 x 14 - 7.50 x 14 - 8.00 x 14
14 x 6.00	8.00 x 14 - 8.50 x 14
14 x 6.50	9.00 x 14
15 x 5.50	6.70 x 15
15 x 6.00	7.60 x 15
15 x 6.00	7.60 x 15 - 8.00 x 15 - 8.20 x 15

22-01-5	WHEEL, 13 x 4.50	6	5	2073 342		
	14 x 5.00, TP1, TP2, TD1, TD2, except Sub. . .		5	-----	2298 522	
	14 x 5.50, TA3, TC1, except Sub., TP1, TP2, TD1, TD2		5	-----	2298 523	2298 523
	14 x 6.00, TA3, TC1, TC2 except 300J, TC3 except Sub.		5	-----	*2448 377	*2448 377
	14 x 6.50, TP2, TD2, w/426 cu.in. Engine . . .	8	5	-----	2122 468	
	15 x 5.50, TP1, TP2, TD1, TD2, UP TO Type, w/Spring Clip Type Hub Cap		5	-----	*1856 808	
	15 x 5.50, TP1, TP2, TD1, TD2, AFTER Type, w/Nubbing Cap.		5	-----	*2409 855	
	15 x 5.50, TP1, TP2, TD1, TD2		5	-----	1856 808	
	15 x 6.00, TA3, TC1, Police Cars, TC2-300J . .	8	5	-----	2200 928	2200 928
	14 x 6.50, TA3, TC1, Sub., TC3	8	5	-----	2122 468	2122 468
	15 x 6.00, TY1	8	5	-----	-----	1948 155
22-01-42	COVER, Wheel, TV1-L, TV1-H	6	4	2401 820		
	TV1-P	6	4	2401 821		
	TL1	6	4	2401 951		
	TP1, TP2-L, TP2-M, TP2-H		4	-----	2421 367	
	TP2-P	8	4	-----	2265 638	
	TD1, TD2-L, TD2-M, TD2-H, Plain		4	-----	2401 959	
	Spinner Type		4	-----	2266 834	
	TC1	8	4	-----	-----	*2401 966
	TC2-M except 300J, w/Lettering Chrysler, UP TO Serial No. 8233-188329	8	4	-----	-----	B2401 966
	TC2-M except 300J, Plain, AFTER Serial No. 8233-188329	8	4	-----	-----	B2409 514
	Black, TC3	8	4	-----	-----	2401 825
	White, TC3	8	4	-----	-----	2401 826
	Light Blue, TC3	8	4	-----	-----	2401 827
	Light Blue Metallic, TC3	8	4	-----	-----	2405 150
	Dark Blue Metallic, TC3	8	4	-----	-----	2405 151
	Light Green Metallic, TC3	8	4	-----	-----	2405 152
	Dark Green Metallic, TC3	8	4	-----	-----	2405 153
	Alabaster, TC3	8	4	-----	-----	2401 831
	Beige, TC3	8	4	-----	-----	2405 154
	Light Tan Metallic, TC3	8	4	-----	-----	2405 155
	Silver Metallic, TC3	8	4	-----	-----	2405 156
	Light Turquoise Metallic, TC3	8	4	-----	-----	2405 157
	Dark Turquoise Metallic, TC3	8	4	-----	-----	2405 158
	Red Metallic, TC3	8	4	-----	-----	2405 159
	15" Wheel, TC2-300J	8	4	-----	-----	2265 535
	15" Wheel, TC1, TA3, Police Cars	8	4	-----	2260 160	2260 160
	TY1	8	4	-----	-----	2401 413
	TC3 Luxury, Beige Gold	8	4	-----	-----	2405 838

★ Indicates use as required. Numerals in parentheses () refer to notes. Printed in U.S.A.
 ☐ Indicates parts not listed in any previous parts book. Prices and specifications subject to change without notice.
 * Indicates change or addition. Jan. 3, 1964 Supersedes Dec. 14, 1962.

1963 PASSENGER CAR PARTS CATALOG

WHEELS

CODE	PART NAME AND DESCRIPTION	C Y L.	PER CAR	VALIANT DART	PLYMOUTH DODGE	CHRYSLER IMPERIAL
22-01-O WHEELS - Cont'd						
22-01-43	SPINNER, Cover Dome		4	----	2266 831	
	MEDALLION, Wheel Cover, TC2-300J	8	4	----	----	1828 420
	TC3 Luxury	8	4	----	----	2244 409
	NUT, Dome Mounting		24	----	B6024 291	
22-01-44	NUT, Medallion Push on, TC3 Luxury	8	8	----	----	6023 978
22-01-46	EXTENSION, 1 1/4" lgh., TV1, TY1		4	*2207 519	----	*2207 519
22-01-49	RETAINER, Cover Medallion, TC2-300J	8	4	----	----	1829 625
22-01-51	DOME, Wheel Cover		4	----	2266 832	
	TC2-300J	8	4	----	----	1829 624
	TY1	8	4	----	----	2265 531
22-01-56	SPACER, Medallion, TC3 Luxury	8	4	----	----	2405 825
22-03-O HUB AND BRAKE DRUM						
22-03-1	HUB and BRAKE DRUM, Front, 9" x 2 1/2" Brakes, Newark, St. Louis, and KDX Export Blt., Right	6	1	*2267 080		
	Left	6	1	2267 081		
	Front, 9" x 2 1/2" Brakes, Cal. Blt., Right.	6	1	*2072 794		
	Left	6	1	2072 795		
	Front, 9" x 2 1/2" Brakes, Detroit Blt., Right.	6	1	*2260 534		
	Left	6	1	2260 535		
	10" x 2 1/2" Brakes, Newark, St. Louis and KDX Export Blt., Right, TP1, TP2, TD1, TD2		1	----	*2405 828	
	Left		1	----	2266 383	
	10" x 2 1/2" Brakes, Cal. Blt., Right, TP1, TP2, TD1, TD2		1	----	2266 384	
	Left		1	----	2266 385	
	10" x 2 1/2" Brakes, Detroit Blt., Right, TP1, TP2, TD1, TD2		1	----	2266 386	
	Left		1	----	2266 387	
	11" x 3" Brakes, Right, TP1, TP2, TD1, TD2		1	----	2266 390	
	Left		1	----	2266 391	
	11" x 3" Brakes, Right, TA3, TC1, TC2, TC3	8	1	----	2266 896	2266 896
	Left	8	1	----	2266 897	2266 897
	11" x 3" Brakes, Right, TA3, TC1, Police Cars, TC2-300J	8	1	----	2401 548	2401 548
	Left	8	1	----	2401 549	2401 549
	Right, TY1	8	1	----	----	2401 546
	Left	8	1	----	----	2401 547
22-03-2	HUB and BRAKE DRUM, Rear, 10" x 2 1/2" Brakes, Right, Steel Encased, TP1, TP2, TD1, TD2		1	----	2260 904	
	Left, Steel Encased		1	----	2260 905	
	10" x 2 1/2" Brakes, Right, Cast Iron, TP1, TP2, TD1, TD2		1	----	2265 550	
	Left, Cast Iron		1	----	2265 551	
	11" x 2 1/2" Brakes, Right, TP1, TP2, TD1, TD2		1	----	2265 354	
	Left		1	----	2265 355	
	11" x 2 1/2" Brakes, Right, TA3, TC1, except Sub.	8	1	----	2401 962	2401 962
	Left	8	1	----	2401 963	2401 963
	11" x 3" Brakes, Right, TA3, TC1, Sub., TA3 w/383 cu. in. Engine, TA3 Police Cars, TC1 Police Cars, TC2, TC3	8	1	----	2401 426	2401 426
	Left	8	1	----	2401 427	2401 427
	11" x 3" Brakes, Right, TY1	8	1	----	----	2401 542
	Left	8	1	----	----	2401 543

★ Indicates use as required.

Numerals in parentheses () refer to notes.

Printed in U.S.A.

⊞ Indicates parts not listed in any previous parts book.

Prices and specifications subject to change without notice.

Jan. 3, 1964 Supersedes Dec. 14, 1962.

* Indicates change or addition.

CODE	PART NAME AND DESCRIPTION	C Y L.	PER CAR	VALIANT DART	PLYMOUTH DODGE	CHRYSLER IMPERIAL
22-04-O BRAKE DRUM						
22-04-2	DRUM, Rear, Steel Encased	6	2	2267 083		
	Cast Iron	6	2	2260 538		
22-04-11	SPRING, Front Wheel Brake Drum Dampener . . .	6	2	2266 298		
	10" Brakes, Front and Rear, TP1, TP2, TD1, TD2		4	----	1142 316	
	11" x 2 1/2" Brakes, Rear, TP1, TP2, TD1, TD2 .		2	----	2266 877	
	11" x 2 1/2" Brakes, Rear, TA3, TC1, except Sub.	8	2	----	1142 259	1142 259
	11" x 3" Brakes, Front, TP1, TP2, TD1, TD2 . .		2	----	2266 877	
	11" x 3" Brakes, Front, and Rear, TA3	8	4	----	2266 877	2266 877
22-04-14	RETAINER, Drum to Axle Shaft	6	6	2072 676		
22-05-O WHEEL HUB						
22-05-14	STUD, Front Hub, Newark, St. Louis, and KDX					
	Export Blt., Right	6	5	*2072 750		
	Left	6	5	2072 751		
	Front Hub, Cal. Blt., Right	6	5	2265 390		
	Left	6	5	2265 391		
	Front Hub, Detroit Blt., Right, Plain, UP TO					
	Type	6	5	*2260 542		
	Left, Plain, UP TO Type	6	5	*2260 543		
	Front Hub, Detroit Blt., Right, 35 Serrations,					
	AFTER Type	6	5	*2409 808		
	Left, 35 Serrations, AFTER Type	6	5	*2409 809		
	STUD, Rear Hub, Right	6	5	2070 158		
	Left	6	5	2070 159		
	STUD, Front Hub, 10" x 2 1/2" Brakes, Newark,					
	St. Louis and KDX Export Blt., Right, TP1,					
	TP2, TD1, TD2	5		----	*1633 050	
	Left	5		----	1633 051	
	STUD, Front Hub, 10" x 2 1/2" Brakes, Cal. Blt.,					
	Right, TP1, TP2, TD1, TD2, 1 9/16" lgh., 39					
	Serrations 1/8" lgh., UP TO Type	5		----	*2267 072	
	Left, UP TO Type	5		----	*2267 073	
	STUD, Front Hub, 10" x 2 1/2" Brakes, Cal.					
	Blt., Right, TP1, TP2, TD1, TD2, 1 53/64"					
	lgh., 39 Serrations 5/8" lgh., AFTER Type. . .	5		----	*2405 144	
	Left, AFTER Type	5		----	*2405 145	
	STUD, Front Hub, 10" x 2 1/2" Brakes, Detroit					
	Blt., Right, TP1, TP2, TD1, TD2, Plain, UP					
	TO Type	5		----	*2260 162	
	Left, UP TO Type	5		----	*2260 163	
	STUD, Front Hub, 10" x 2 1/2" Brakes, Detroit					
	Blt., Right, TP1, TP2, TD1, TD2, 40 Serrations,					
	AFTER Type	5		----	*2409 798	
	Left, AFTER Type	5		----	*2409 799	
	STUD, Front Hub, 11" x 3" Brakes, Right,					
	TP1, TP2	5		----	1633 050	
	Left	5		----	1633 051	
	STUD, Front and Rear Hub, Right, TY1, Plain,					
	UP TO Type	8	10	----	----	*1633 052
	Left, Plain, UP TO Type	8	10	----	----	*1633 053
	STUD, Front and Rear Hub, Right, 42 Serrations,					
	AFTER Type, TY1	8	10	----	----	E2460 662
	Left, 42 Serrations, AFTER Type, TY1	8	1	----	----	E2460 663
	STUD, Front Hub, 11" x 3" Brakes, Right, TD1,					
	TD2, TA3, TC1, TC2, TC3	5		----	2405 144	2405 144
	Left	5		----	2405 145	2405 145
	STUD, Rear Hub, 11" x 2 1/2" Brakes, Right,					
	TP1, TP2, TD1, TD2	5		----	2405 146	
	Left	5		----	2405 147	

★ Indicates use as required.

Numerals in parentheses () refer to notes.

Printed in U.S.A.

□ Indicates parts not listed in any previous parts book.

Prices and specifications subject to change without notice.

* Indicates change or addition.

Jan. 3, 1964 Supersedes Dec. 14, 1962.

1963 PASSENGER CAR PARTS CATALOG

WHEELS

CODE	PART NAME AND DESCRIPTION	C Y L.	PER CAR	VALIANT DART	PLYMOUTH DODGE	CHRYSLER IMPERIAL
22-05-O WHEEL HUB - Cont'd						
22-05-14	STUD, Rear Hub, 11" x 2 1/2" Brakes, Right, TA3, TC1, except Sub., Plain, UP TO Type.	8	5	----	*2260 162	*2260 162
	Left, Plain, UP TO Type.	8	5	----	*2260 163	*2260 163
	STUD, Rear Hub, 11" x 2 1/2" Brakes, Right, TA3, TC1, except Sub., 40 Serrations, AFTER Type		5	----	*2409 798	*2409 798
	Left, AFTER Type		5	----	*2409 799	*2409 799
	STUD, Rear Hub, 10" x 2 1/2" Brakes, Right, TP1, TP2, TD1, TD2, Plain, UP TO Type		5	----	*2260 162	
	Left, Plain, UP TO Type.		5	----	*2260 163	
	TP1, TP2, TD1, TD2, 40 Serrations, AFTER Type		5	----	*2409 798	
	Left, AFTER Type		5	----	*2409 799	
	STUD, Rear Hub, 11" x 3" Brakes, Right, TA3, TC1, Sub., TA3 w/383 cu. in. Engine, TA3 Police Cars, TC1 Police Cars, TC2, TC3, UP TO Type.	8	5	----	*1799 554	*1799 554
	Left, UP TO Type	8	5	----	*1799 555	*1799 555
	STUD, Rear Hub, 11" x 3" Brakes, Right, TA3, TC1, Sub., TA3 w/383 cu. in. Engine, TA3 Police Cars, TC1 Police Cars, TC2, TC3, 40 Serrations, AFTER Type	8	5	----	*2409 798	*2409 798
	Left, AFTER Type	8	5	----	*2409 799	*2409 799
22-05-24	NUT, Wheel Mounting, Right.	6	10	2072 728		
	Left	6	10	2072 729		
	Right, TC1, TC2, TC3		10	----	1139 316	1139 316
	Left		10	----	1139 317	1139 317
	Right, TY1	8	10	----	----	1315 697
	Left	8	10	----	----	1315 698
22-06-O FRONT WHEEL BEARING						
22-06-1	CONE and ROLLER, Inner	6	2	2203 352		
	Outer.	6	2	2203 350		
	Inner, TC1, TC2, TC3		2	----	1619 701	1619 701
	Outer, TC1, TC2, TC3		2	----	1619 703	1619 703
	Inner, TY1.	8	2	----	----	1789 755
	Outer, TY1	8	2	----	----	1790 241
22-06-2	CUP, Inner	6	2	2203 353		
	Outer	6	2	2203 351		
	Inner, TC1, TC2, TC3		2	----	1619 700	1619 700
	Outer, TC1, TC2, TC3		2	----	1619 702	1619 702
	Inner, TY1.	8	2	----	----	1789 754
	Outer, TY1	8	2	----	----	1790 244
22-06-5	NUT, Bearing.	6	2	2072 731		
			2	----	1732 300	1732 300
22-06-10	LOCK, Nut		2	1673 324	1673 324	1673 324
22-06-14	WASHER, Nut Thrust.	6	2	2072 733		
			2	----	600 194	600 194
22-06-18	SEAL, Hub Dust	6	2	2072 707		
	TC1, TC2, TC3		2	----	2266 378	2266 378
	TY1	8	2	----	----	2266 839

★ Indicates use as required. Numerals in parentheses () refer to notes. Printed in U.S.A.
 ☐ Indicates parts not listed in any previous parts book. Prices and specifications subject to change without notice.
 Jan. 3, 1964 Supersedes Dec. 14, 1962. * Indicates change or addition.

CODE	PART NAME AND DESCRIPTION	C Y L.	PER CAR	VALIANT DART	PLYMOUTH DODGE	CHRYSLER IMPERIAL
22-08-O HUB CAP						
22-08-5	CAP, TV1	6	4	2401 843		
	TL1, Plain	6	4	*2401 844		
	TL1, w/Painted Squares	6	1	*2409 523		
	14" Wheel, TC1		4	----	2401 956	2401 956
	15" Wheel, TC1		4	----	----	*1943 733
	15" Wheel, w/Spring Clip Type, UP TO		5	----	*1943 733	
	15" Wheel, w/Nubbing Cap Type, AFTER		5	----	*2401 956	
22-08-57	CAP, Grease	6	2	2072 718		
	TC1, TC2, TC3		2	----	1613 416	1613 416
	TY1	8	2	----	----	1671 341
22-09-O WHEEL BALANCE WEIGHT						
22-09-1	WEIGHT, 1/2 oz.		*	----	1615 349	1615 349
	1 oz.		*	----	1615 350	1615 350
	1 1/2 oz.		*	----	1615 351	1615 351
	2 oz.		*	----	1615 352	1615 352
	2 1/2 oz.		*	----	1615 353	1615 353
	3 oz.		*	----	1615 354	1615 354
22-20-O SPARE WHEEL CARRIER						
22-20-29	BRACKET, Anchor Bolt	6	1	*2083 190		
	TP1, TP2, TD1, TD2, except Sub. and Cv. Cp.		1	----	2424 802	
	TP1, TP2, TD1, TD2, Cv. Cp.		1	----	2254 646	
	TP1, TP2, TD1, TD2, Sub.		1	----	2254 644	
	TA3, TC1, TC3, Sp. Sub.	8	1	----	2093 980	2093 980
	TA3, TC1, TC2, TC3, Cv. Cp.	8	1	----	2094 624	2094 624
	TA3, TC1, TC2, TC3, except Cv. Cp. and Sub., TY1	8	1	----	*1695 319	*1695 319
	TA3, TC1, TC2, TC3, except Cv. Cp. and Sub., w/Air Conditioning	8	1	----	*2094 624	*2094 624
22-20-80	PLATE, Anchor Rod, TY1	8	1	----	----	1750 747
22-20-82	RETAINER, Anchor Bolt, TP2, TD2, Cv. Cp.	8	1	----	2206 925	
22-20-87	BOLT, Spare Wheel Anchor	6	1	6023 192		
	BOLT, TP1, TP2, TD1, TD2, except Cv. Cp. and Sub.		1	----	2424 803	
	BOLT, TP1, TP2, TD1, TD2, Sub.		1	----	*2252 177	
	BOLT, TP2, TD2, Cv. Cp., w/7.50 Tire, 8 1/4" lgh.	8	1	----	2252 176	
	BOLT, TP2, TD2, Cv. Cp., w/7.00 Tire, 7 3/4" lgh.	8	1	----	2252 177	
	ROD, TA3, TC1, TC2, TC3, except Cv. Cp.	8	1	----	1963 237	1963 237
	ROD, TA3, TC1, TC2, TC3, Cv. Cp., TY1	8	1	----	1963 236	1963 236
22-20-89	NUT, Anchor Rod Wing		1	6023 540	6023 540	6023 540

NOTES

★ Indicates use as required.

Numerals in parentheses () refer to notes.

Printed in U.S.A.

Ⓑ Indicates parts not listed in any previous parts book.

Prices and specifications subject to change without notice.

* Indicates change or addition.

January 3, 1964.

