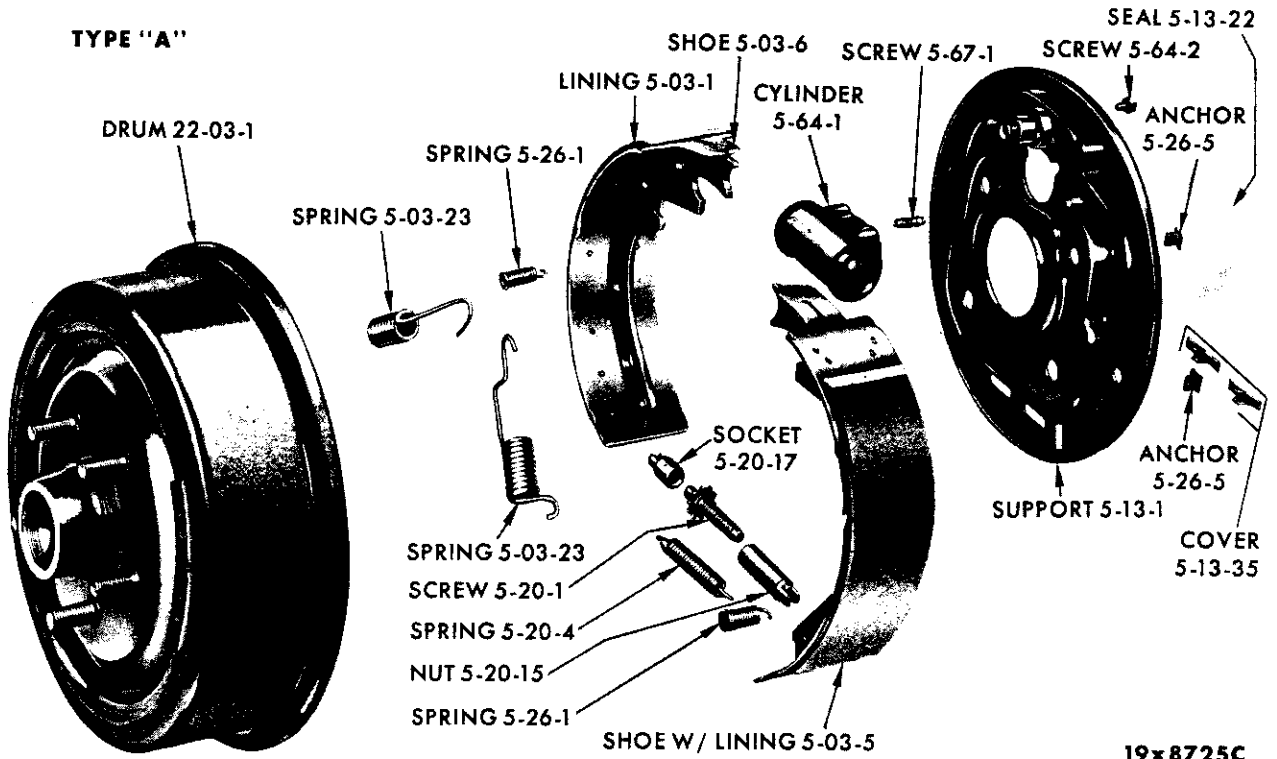


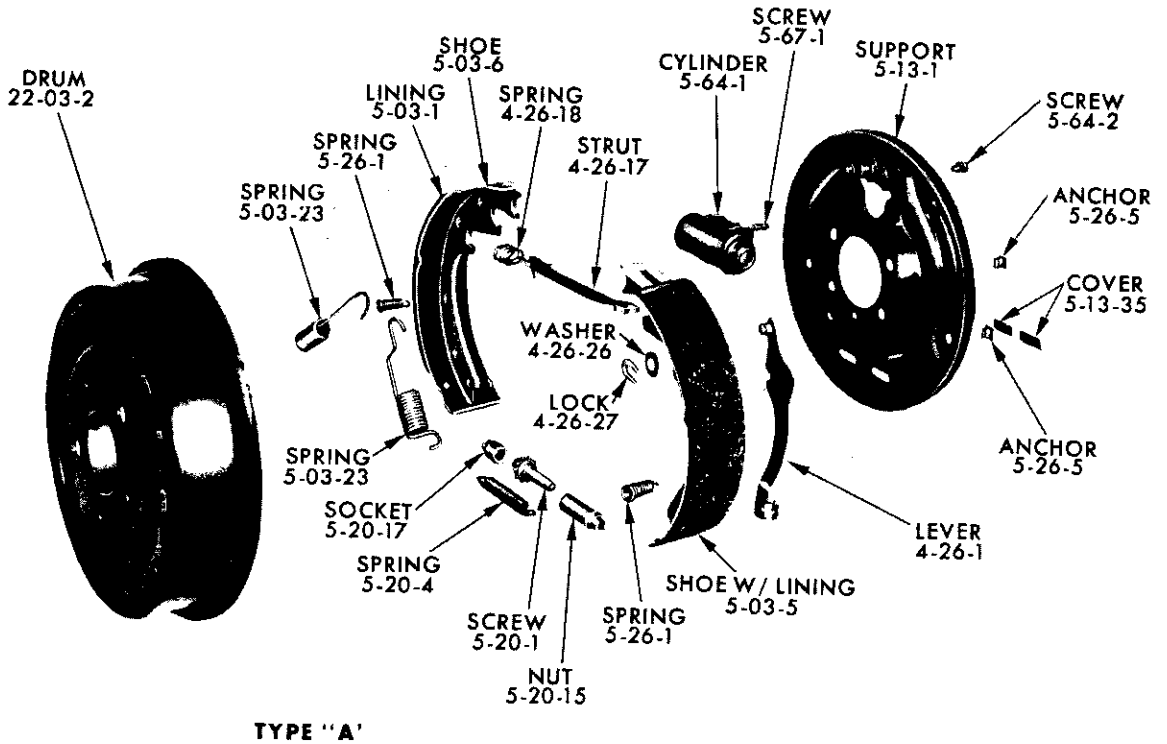
GROUP 5 - BRAKE-SERVICE

TYPE "A"



19x8725C

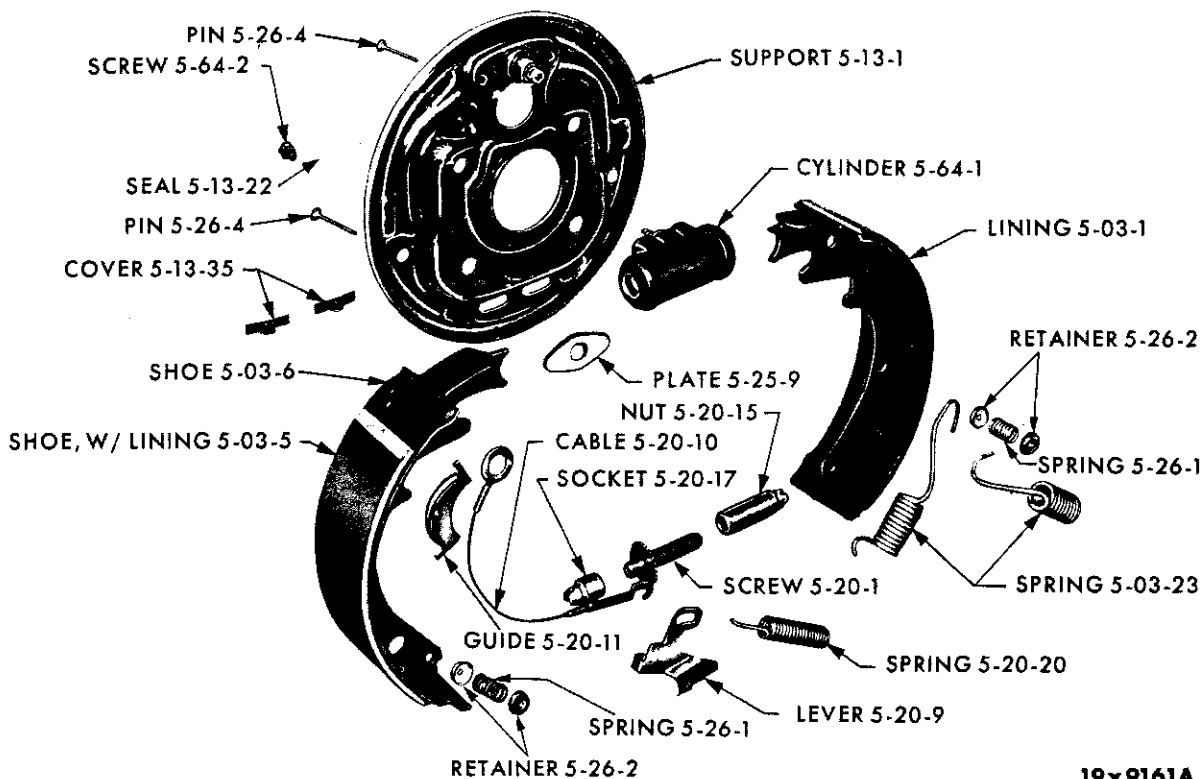
FRONT WHEEL BRAKE - VALIANT TV1 AND DART TL1



TYPE "A"

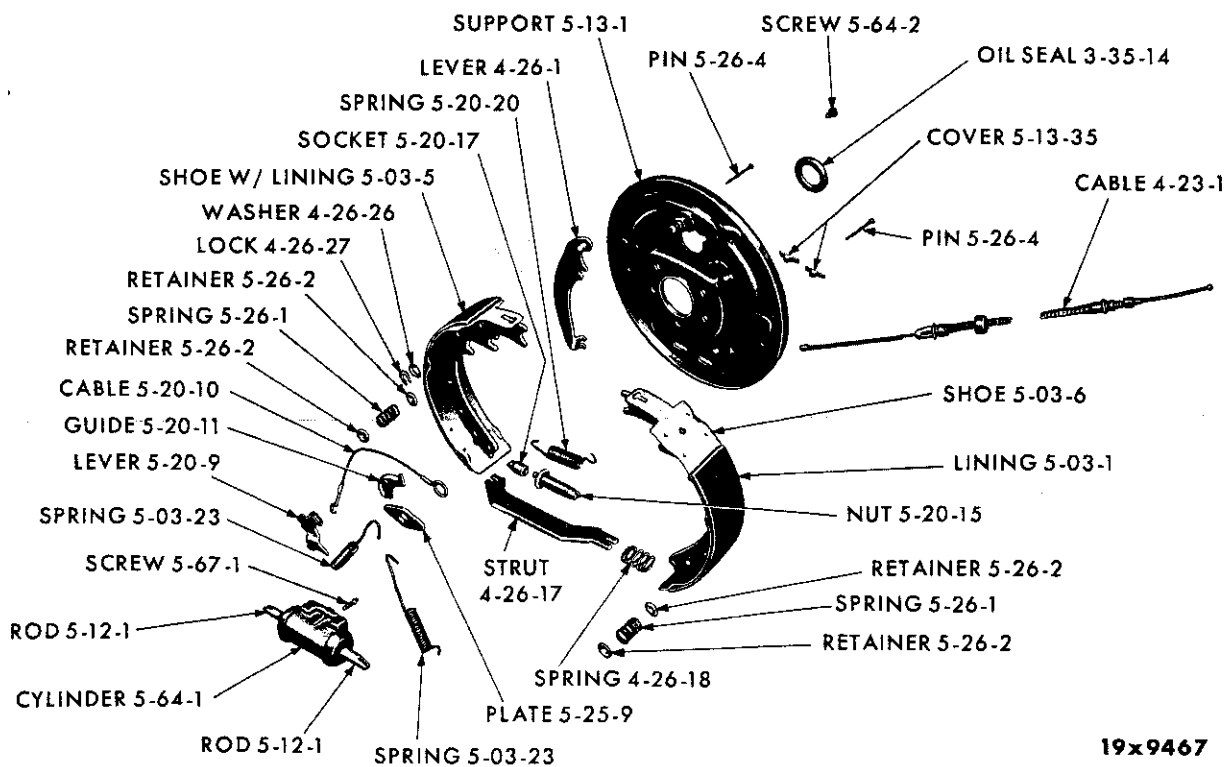
19x8723B

REAR WHEEL BRAKE - VALIANT TV1 AND DART TL1



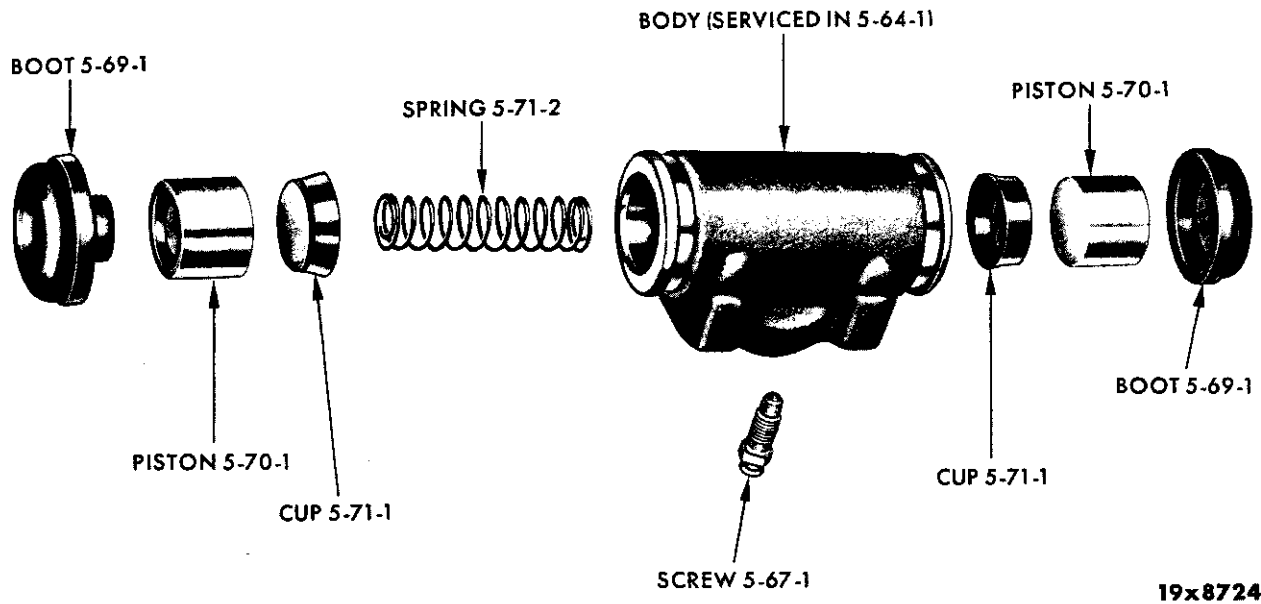
19x9161A

FRONT WHEEL BRAKE - PLYMOUTH TP1-2, DODGE TD1-2, TA3, CHRYSLER TC1-2-3 AND IMPERIAL TY1



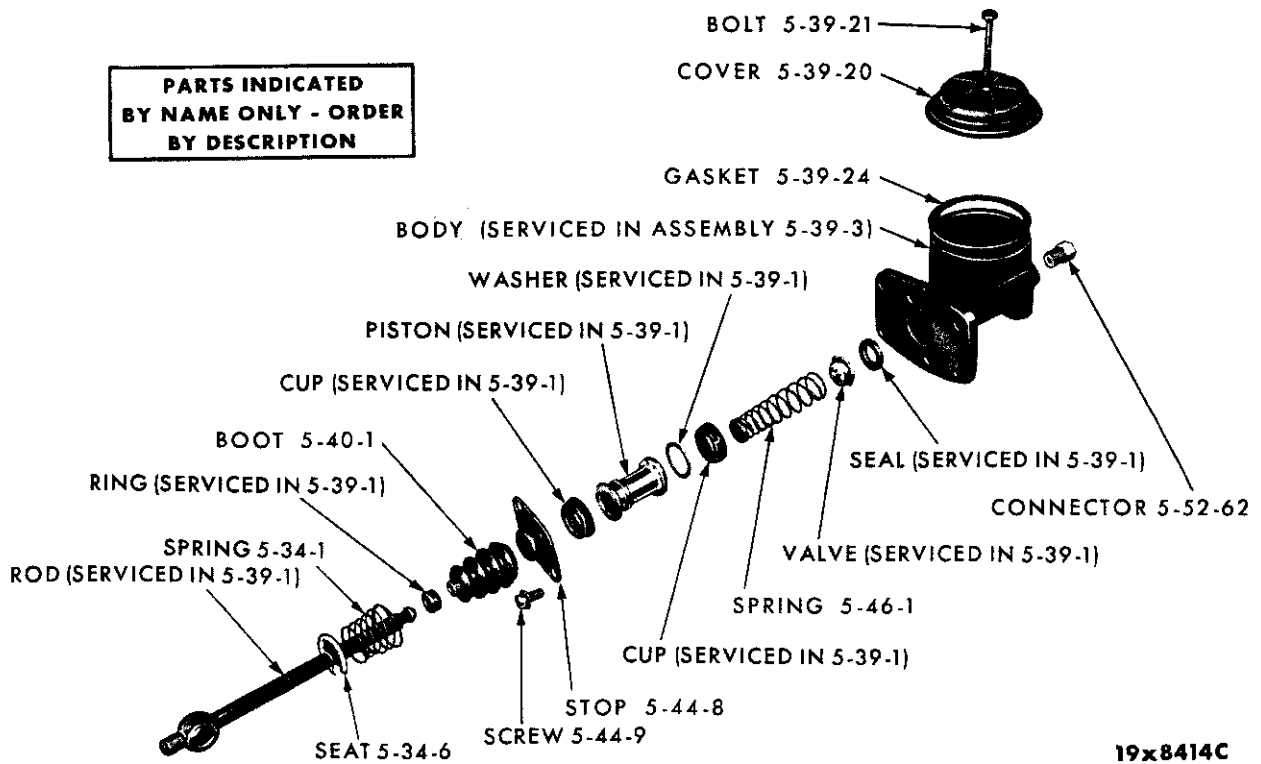
19x9467

REAR WHEEL BRAKE - PLYMOUTH TP1-2, DODGE TD1-2, TA3, CHRYSLER TC1-2-3 AND IMPERIAL TY1

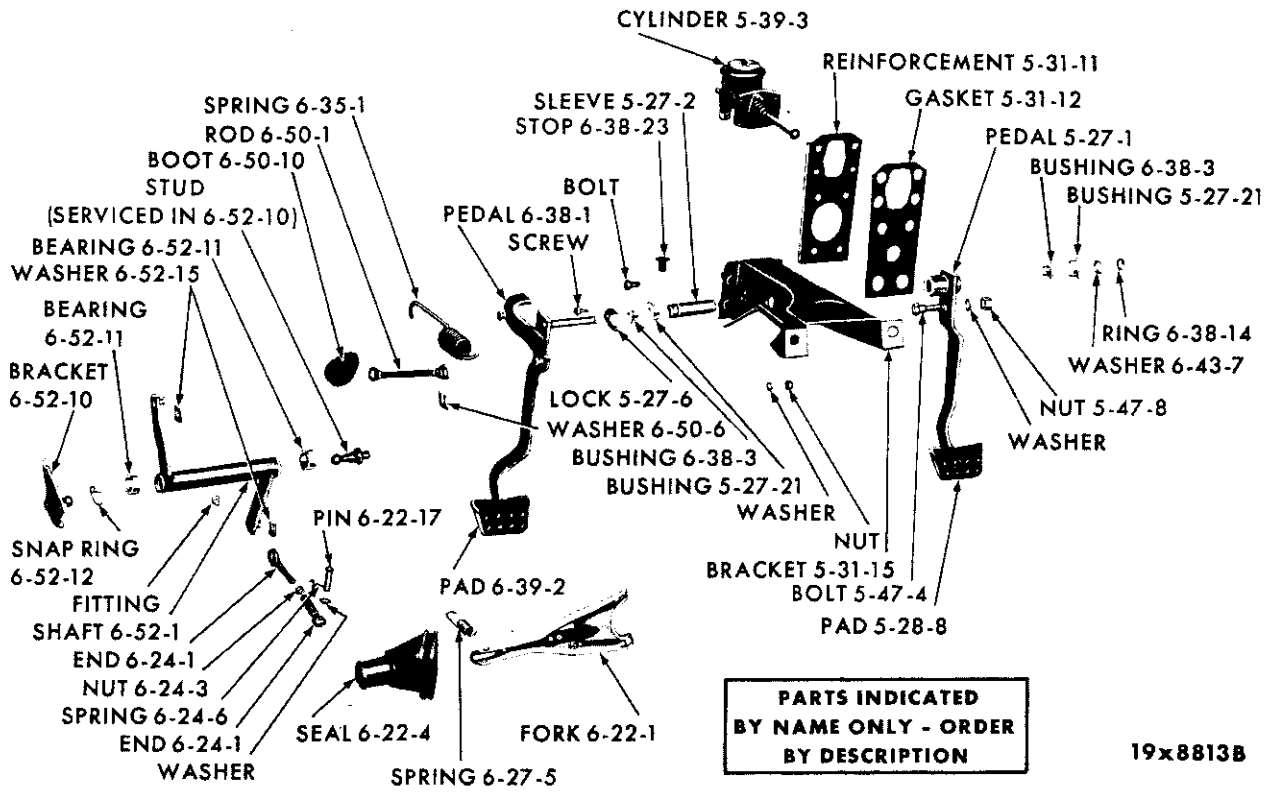


WHEEL CYLINDER

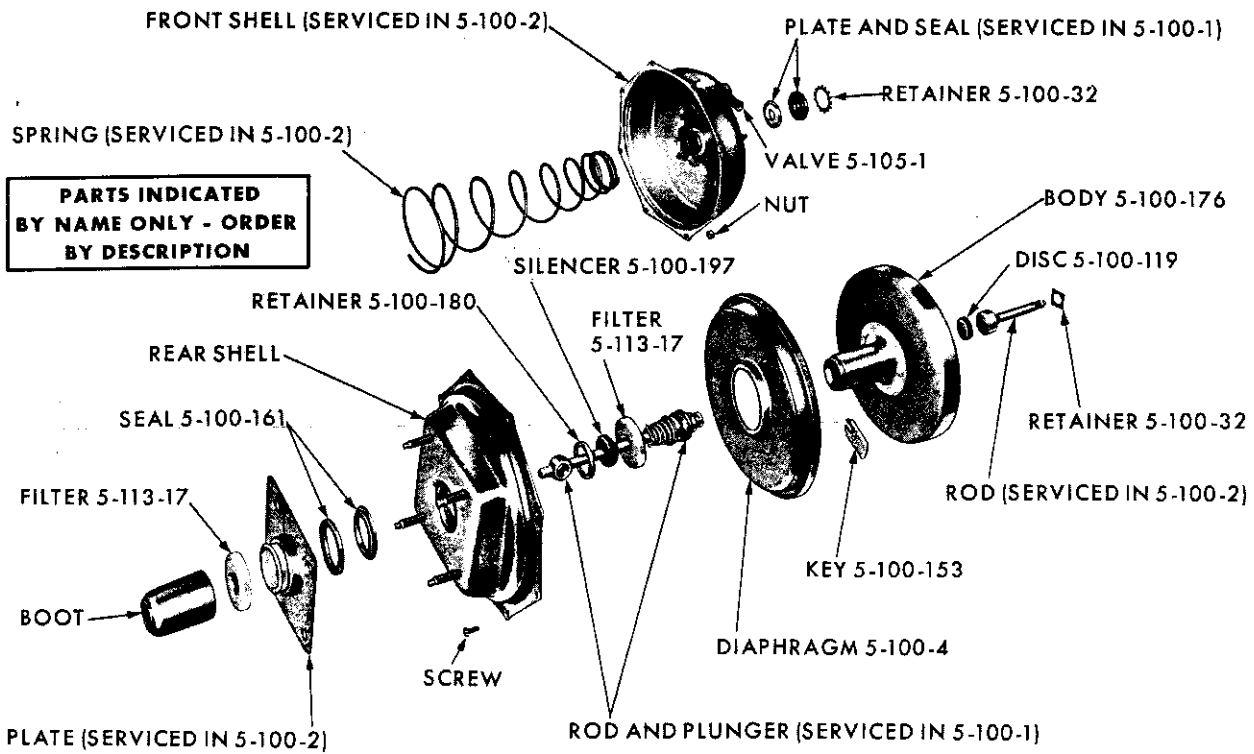
PARTS INDICATED
BY NAME ONLY - ORDER
BY DESCRIPTION



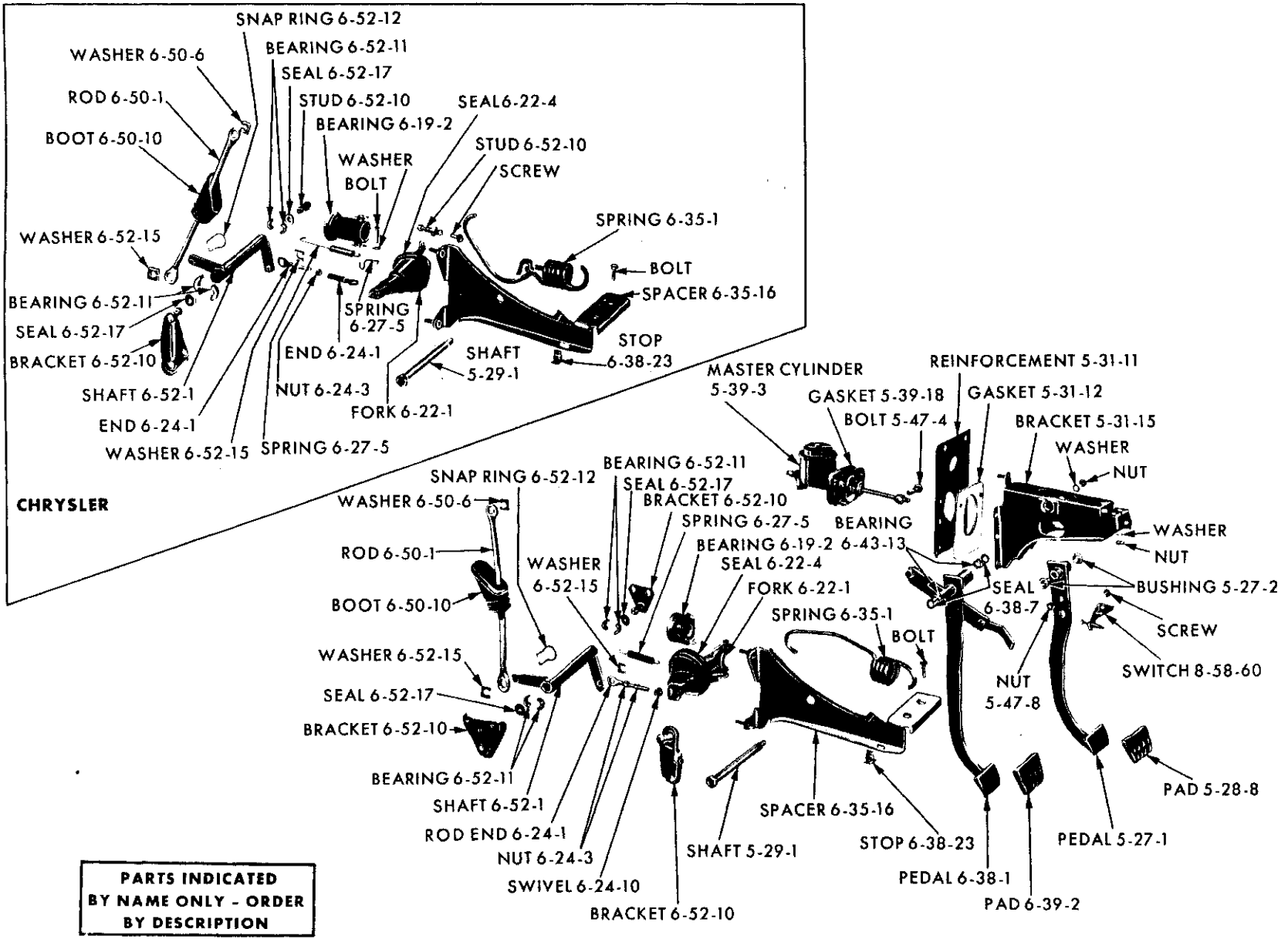
MASTER CYLINDER - WITHOUT POWER BRAKES



BRAKE AND CLUTCH PEDAL LINKAGE - VALIANT TV1 AND DART TL1



POWER BRAKE POWER UNIT (BENDIX TYPE) - PLYMOUTH TP1-2, DODGE TD1-2, TA3 AND CHRYSLER TC1-2-3



**PARTS INDICATED
BY NAME ONLY - ORDER
BY DESCRIPTION**

CHRYSLER

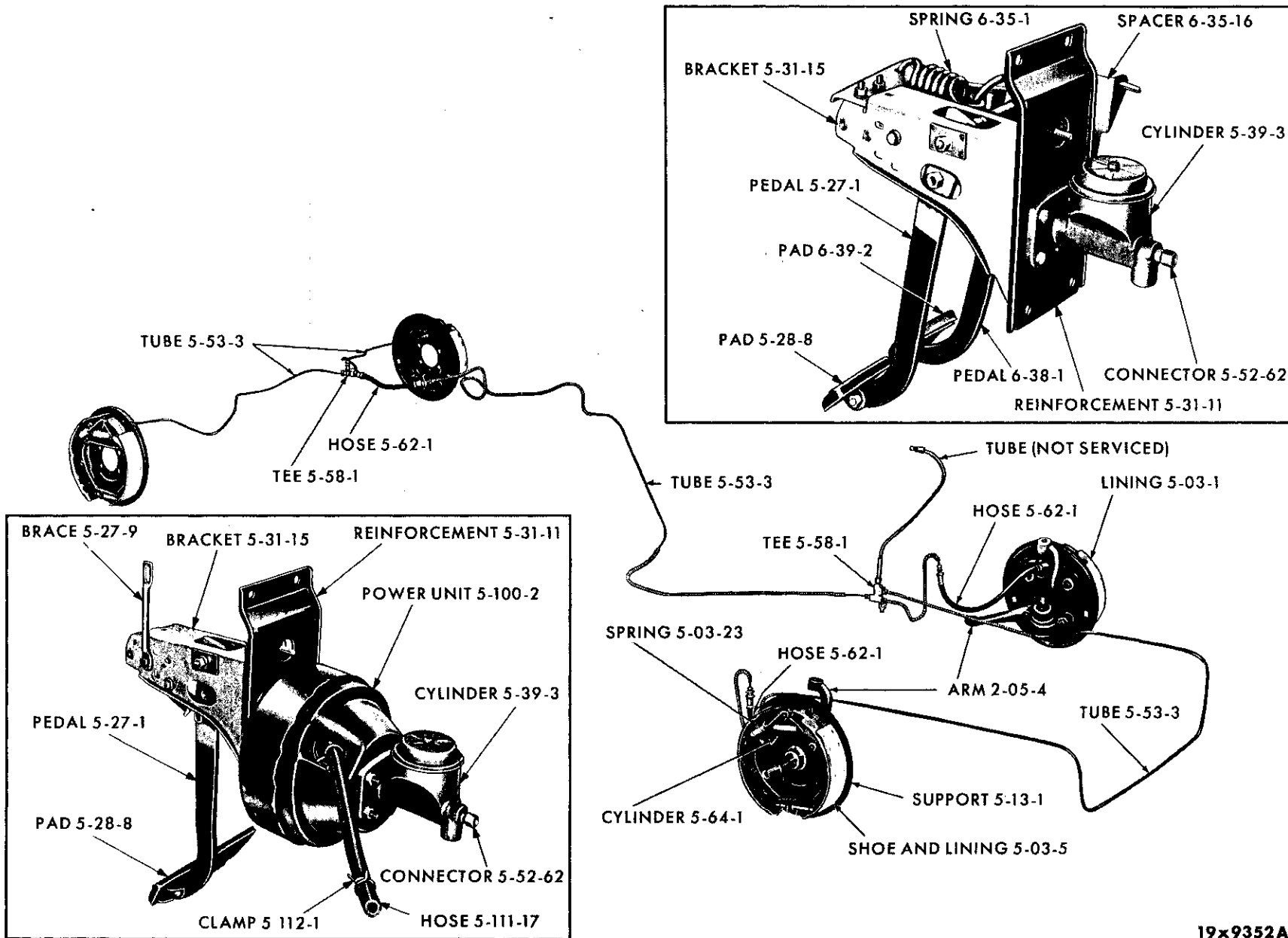
BRAKE AND CLUTCH PEDAL LINKAGE - PLYMOUTH TP1-2 - DODGE TD1-2 - TA3 - AND CHRYSLER TC1-2

19x9314A

Printed in U.S.A.

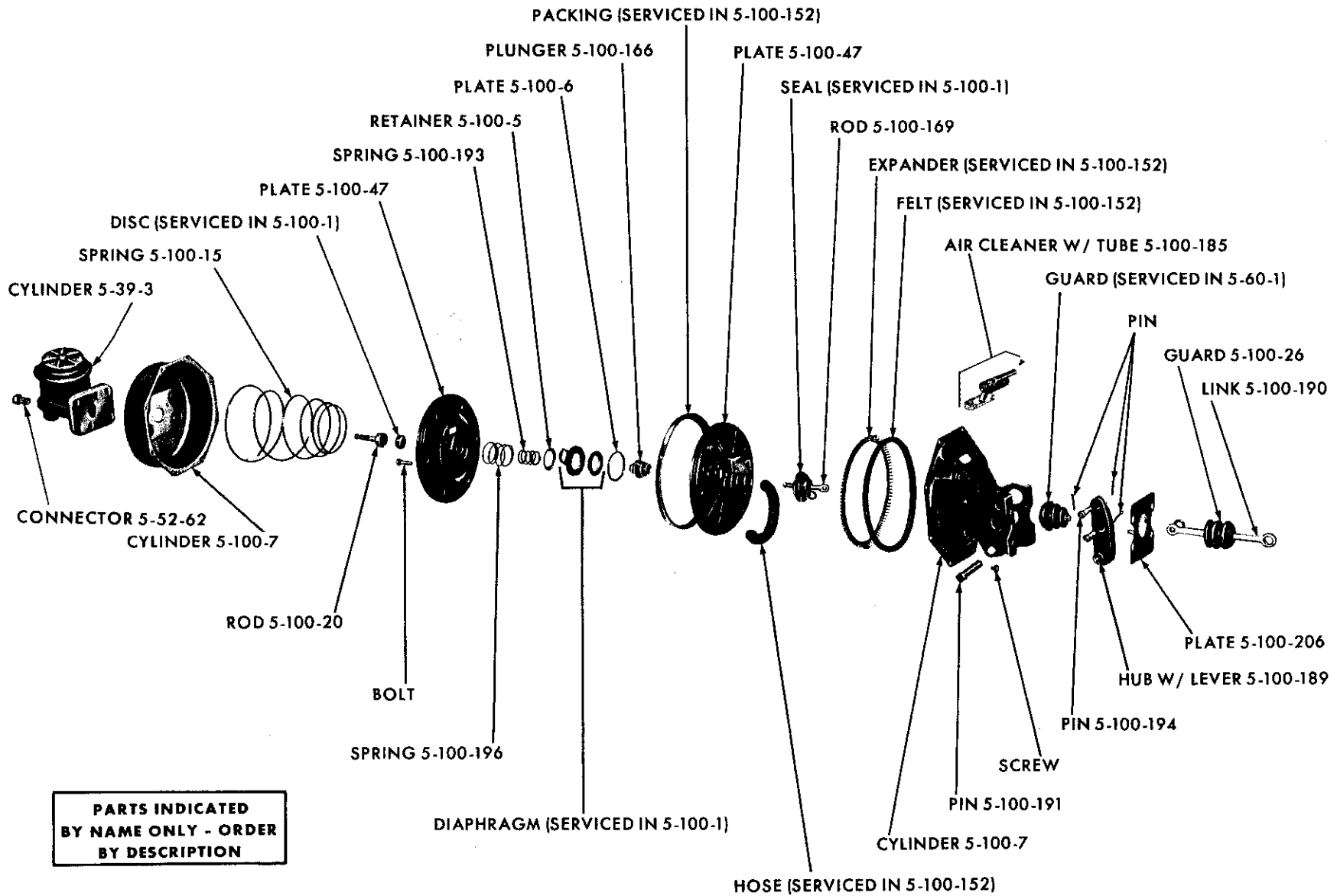
Page 5-5

September 4, 1962



HYDRAULIC BRAKE SYSTEM

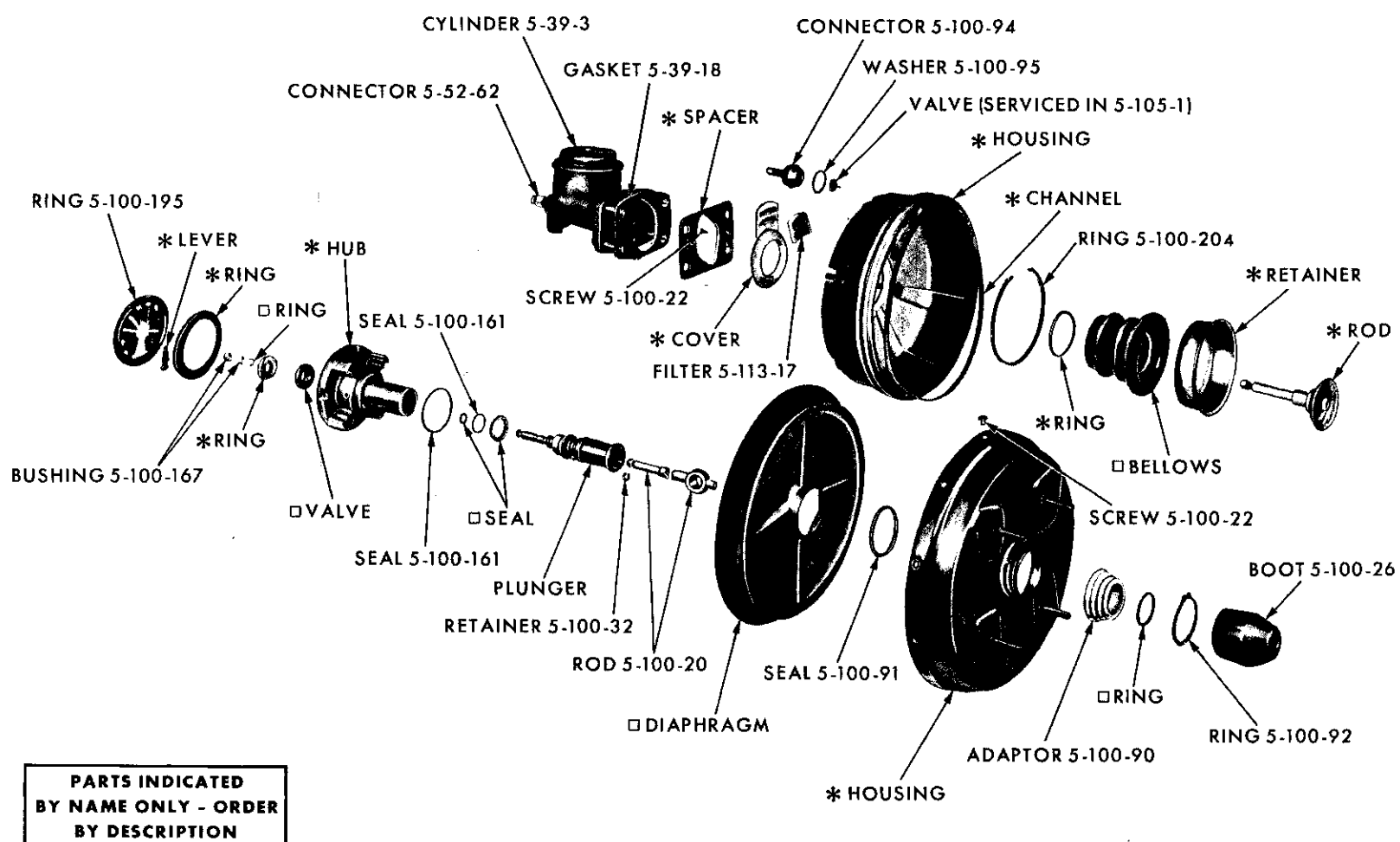
19x9352A



**PARTS INDICATED
BY NAME ONLY - ORDER
BY DESCRIPTION**

POWER BRAKE POWER UNIT - VALIANT TV1 AND DART TL1

19x8754A



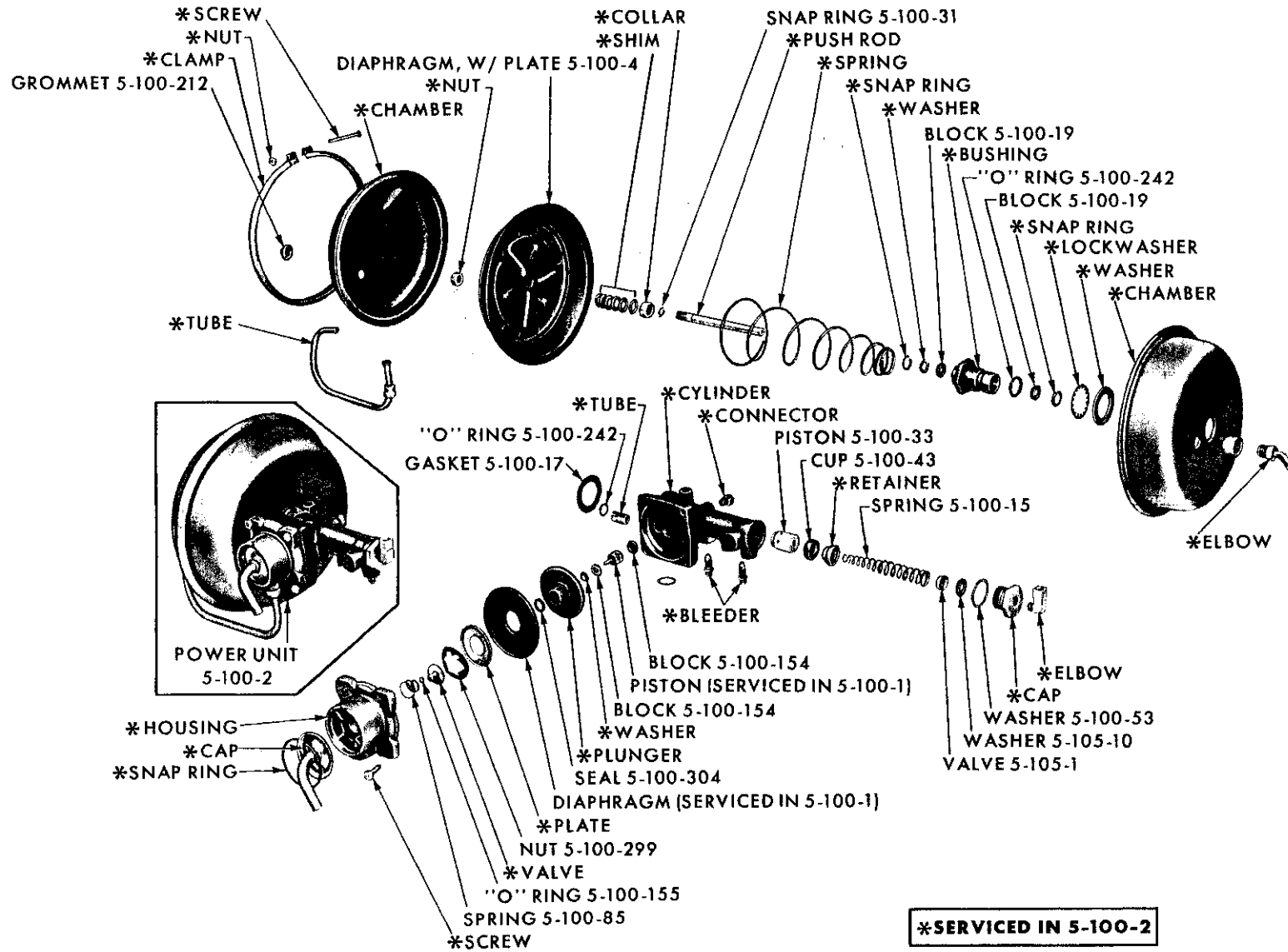
**PARTS INDICATED
BY NAME ONLY - ORDER
BY DESCRIPTION**

SERVICED IN 5-100-1

SERVICED IN 5-100-2

19x9380A

POWER BRAKE POWER UNIT - PLYMOUTH TP1-2, DODGE TD1-2, TA3 AND CHRYSLER TC1-2-3 (MIDLAND-ROSS TYPE)



POWER BRAKE POWER UNIT - CHRYSLER TC2-300J

CODE	PART NAME AND DESCRIPTION	C Y L.	PER CAR	VALIANT DART	PLYMOUTH DODGE	CHRYSLER IMPERIAL
5-01-0 BRAKE FLUID						
5-01-1	BRAKE FLUID, 12 oz. Can		★	2421 352	2421 352	2521 352
	1 Quart Can		★	1879 270	1879 270	1879 270
	1 Gallon Can		★	1879 271	1879 271	1879 271
	5 Gallon Can		★	1879 272	1879 272	1879 272
	30 Gallon Drum		★	1879 273	1879 273	1879 273
5-03-0 WHEEL BRAKE SHOE AND LINING						
5-03-1	LINING PACKAGE, 9" Brakes, Taxi	6	1	2298 943		
	9" Brakes, except Taxi	6	1	2448 321		
	10" Brakes		1	----	2298 842	
	11" Brakes, Taxi Only		1	----	2421 314	
	11" Brakes, Police and Heavy Duty		1	----	2298 848	
	11" x 3" Front - 11" x 2 1/2" Rear Brakes, TA3, TC1, except Sub.	8	1	----	*2495 005	*2495 005
	11" x 3" Front and Rear Brakes, TA3, TC1, TC2, TC3	8	1	----	*2495 006	*2495 006
	TA3, TC1, Police, TC2-300J	8	1	----	2448 320	2448 320
5-03-5	SHOE, w/LINING, Front Wheel, Front Shoe	6	2	2405 804		
	Front Wheel, Rear Shoe,	6	2	2405 807		
	Rear Wheel, Front Shoe	6	2	2405 814		
	Rear Wheel, Rear Shoe	6	2	2405 817		
	Front and Rear Wheel, Front Shoe, 10" Brakes		4	----	2265 777	
	Front and Rear Wheel, Rear Shoe, 10" Brakes		4	----	2265 781	
	Front Wheel, Front Shoe, 11" Brakes, Taxi		2	----	2401 806	
	Front Wheel, Rear Shoe, 11" Brakes, Taxi		2	----	2401 807	
	Rear Wheel, Front Shoe, 11" Brakes, Taxi		2	----	2401 800	
	Rear Wheel, Rear Shoe, 11" Brakes, Taxi		2	----	2401 801	
	Front Wheel, Front Shoe, 11" Brakes, Heavy Duty and Police		2	----	2401 011	
	Front Wheel, Rear Shoe, 11" Brakes Heavy Duty and Police		2	----	2401 012	
	Rear Wheel, Front Shoe, 11" Brakes, Heavy Duty and Police		2	----	2401 007	
	Rear Wheel, Rear Shoe, 11" Brakes, Heavy Duty and Police		2	----	2401 008	
	Front Wheel, Front Shoe, 11" x 3" Brakes, TA3, TC1, TC2, TC3	8	2	----	*2405 179	*2405 179
	Front Wheel, Rear Shoe, 11" x 3" Brakes, TA3, TC1, TC2, TC3	8	2	----	*2409 882	*2409 882
	Rear Wheel, Front Shoe, 11" x 2 1/2" Brakes, TA3, TC1, except Sub.	8	2	----	2405 175	2405 175
	Rear Wheel, Rear Shoe, 11" x 2 1/2" Brakes, TA3, TC1, except Sub.	8	2	----	2405 136	2405 136
	Rear Wheel, Front Shoe, 11" x 3" Brakes, TA3, TC1, TC2, TC3	8	2	----	*2405 179	*2405 179
	Rear Wheel, Rear Shoe, 11" x 3" Brakes, TA3, TC1, TC2, TC3	8	2	----	*2409 882	*2409 882
	Front and Rear Wheel, Front Shoe 11" x 3" Brakes, TY1	8	4	----	----	2405 179
	Front and Rear Wheel, Rear Shoe, 11" x 3" Brakes, TY1	8	4	----	----	*2409 882

★ Indicates use as required.

Numerals in parentheses () refer to notes.

Printed in U.S.A.

☐ Indicates parts not listed in any previous parts book.

Prices and specifications subject to change without notice.

* Indicates change or addition.

Jan. 3, 1964 Supersedes Dec. 14, 1962.

1963 PASSENGER CAR PARTS CATALOG

BRAKE-SERVICE

CODE	PART NAME AND DESCRIPTION	C Y L	PER CAR	VALIANT DART	PLYMOUTH DODGE	CHRYSLER IMPERIAL
5-03-0 WHEEL BRAKE SHOE AND LINING - Cont'd						
5-03-5	SHOE, w/LINING - Cont'd					
	Front and Rear Wheel, Front Shoe, 11" Brakes, TA3, TC1, Police, TC2-300J	8	4	----	2401 011	2401 011
	Front and Rear Wheel, Rear Shoe, 11" Brakes, TA3, TC1, Police, TC2-300J	8	4	----	2401 012	2401 012
5-03-6	SHOE, Front Wheel, 9" x 2 1/4" Brakes	6	4	2072 664		
	Rear Wheel, 9" x 2 1/2" Brakes	6	4	2072 670		
	Front Wheel, 10" x 2 1/2" Brakes		4	----	2260 812	
	Rear Wheel, 10" x 2 1/2" Brakes		4	----	2260 812	
	Front Wheel, Taxi, Police, and Heavy Duty, 11" x 3" Brakes		4	----	2260 654	
	Rear Wheel, Taxi, Police, and Heavy Duty, 11" x 2 1/2" Brakes		4	----	2260 886	
	Front Wheel, 11" x 3" Brakes, TA3, TC1, TC2, TC3	8	4	----	2260 654	2260 654
	Rear Wheel, 11" x 2 1/2" Brakes, TA3, TC1 except Sub.	8	4	----	2260 886	2260 886
	Rear Wheel, 11" x 3" Brakes, TA3, TC1, TC2, TC3	8	4	----	2260 654	2260 654
5-03-23	SPRING, Brake Shoe Return, Front and Rear Wheel, 9" Brakes	6	8	2072 719		
	Front and Rear Wheel, Front Shoe, 10" x 2 1/2" Brakes		4	----	2267 044	
	Front and Rear Wheel, Rear Shoe, 10" x 2 1/2" Brakes		4	----	2260 835	
	Front and Rear Wheel, 11" x 2 1/2" and 11" x 3" Brakes		8	----	2260 789	2260 789
5-12-0 WHEEL CYLINDER PISTON PUSH ROD						
5-12-1	ROD		8	----	2260 787	2260 787
5-13-0 WHEEL BRAKE SUPPORT						
5-13-1	SUPPORT, Front Wheel, 9" Brakes	6	2	2072 609		
	Rear Wheel, Right, 9" Brakes	6	1	2401 940		
	Rear Wheel, Left, 9" Brakes	6	1	2401 941		
	Front Wheel, 10" Brakes		2	----	2265 581	
	Rear Wheel, Right, 10" Brakes		1	----	2265 584	
	Rear Wheel, Left, 10" Brakes		1	----	2265 585	
	Front Wheel, 11" x 3" Brakes, Taxi, Police and Heavy Duty		2	----	2265 563	
	Rear Wheel, Right, 11" x 2 1/2" Brakes, Taxi, Police and Heavy Duty		1	----	2265 564	
	Rear Wheel, Left, 11" x 2 1/2" Brakes, Taxi, Police and Heavy Duty		1	----	2265 565	
	Front Wheel, 11" x 3" Brakes, TA3, TC1, TC2, TC3	8	2	----	2401 420	2401 420
	Front Wheel, 11" x 3" Brakes, TY1	8	2	----	----	2266 867
	Rear Wheel, Right, 11" x 2 1/2" Brakes, TA3, TC1, except Sub.	8	1	----	2265 564	2265 564
	Rear Wheel, Left, 11" x 2 1/2" Brakes, TA3, TC1, except Sub.	8	1	----	2265 565	2265 565
	Rear Wheel, Right, 11" x 3" Brakes, TA3, TC1, TC2, TC3, TY1	8	1	----	*2266 892	*2266 892
	Rear Wheel, Left, 11" x 3" Brakes, TA3, TC1, TC2, TC3, TY1	8	1	----	*2266 893	*2266 893

★ Indicates use as required. Numerals in parentheses () refer to notes. Printed in U.S.A.
 ☐ Indicates parts not listed in any previous parts book. Prices and specifications subject to change without notice.
 Jan. 3, 1964 Supersedes Sept. 4, 1962. * Indicates change or addition.

CODE	PART NAME AND DESCRIPTION	C Y L.	PER CAR	VALIANT DART	PLYMOUTH DODGE	CHRYSLER IMPERIAL
5-13-O WHEEL BRAKE SUPPORT - Cont'd						
5-13-7	GASKET, Brake Support Plate, Rear	6	4 4	2070 997 ----	*2070 933	*2070 933
5-13-9	BOLT, Support Mounting, Front, Upper, TP1, TP2, TD1, TD2		4	*2072 682	*2207 604	
	Lower, TP1, TP2, TD1, TD2		4	2072 681	2207 606	
	Front, 7/16" - 20 x 1 9/16", TA3	8	4	----	2207 604	2207 604
	Front, 7/16" - 20 x 2 7/16", TA3	8	2	----	2401 501	2401 501
	Front, 7/16" - 20 x 2 7/8", TA3	8	2	----	2401 502	2401 502
	Rear		*	2265 572	2265 572	2265 572
5-13-10	NUT, Support Mounting Bolt, Front, Upper		4	601 014	601 014	601 014
	Front, Lower		4	1825 351	128 027	272 314
	Rear		*	1927 232	120 369	120 369
	LOCKWASHER, Front Wheel, TA3	8	4	----	6023 050	6023 050
5-13-22	SEAL, to Strg. Knuckle		2	2401 960	2266 890	2266 890
5-13-35	COVER, Adjusting Hole Screw		8	1664 564	1664 564	1664 564
5-20-O WHEEL BRAKE ADJUSTER						
5-20-1	SCREW, 9" and 10" Brakes, Right		2	2260 826	2260 826	
	9" and 10" Brakes, Left		2	2260 827	2260 827	
	11" Brakes, Right, except Police		2	----	2260 782	2260 782
	11" Brakes, Left, except Police		2	----	2260 783	2260 783
	11" Brakes, TP1, TP2, TD1, TD2, Police		4	----	2265 201	
5-20-4	SPRING, Lock, TP1, TP2, TD1, TD2, Police		4	----	2265 203	
5-20-9	LEVER, Automatic Adjusting, Right, except Police Left, except Police		2 2	2260 794 2260 795	2260 794 2260 795	2260 794 2260 795
5-20-10	CABLE, Automatic Adjusting, 9" and 10" Brakes		4	2266 273	2401 513	
	11" Brakes, except Police		4	----	2266 270	2266 270
5-20-11	GUIDE, Cable, except Police		4	2260 793	2260 793	2260 793
5-20-15	NUT, Adjusting Screw Pivot, 9" and 10" Brakes, Right		2	2260 572	2260 572	
	Left		2	2260 573	2260 573	
	11" Brakes, Right, except Police		2	----	2260 670	2260 670
	Left, except Police		2	----	2260 671	2260 671
	11" Brakes, TP1, TP2, TD1, TD2, Police		4	----	2260 671	
5-20-17	SOCKET, Adjusting Screw, 9" and 10" Brakes		4	2260 824	2260 824	
	11" Brakes		4	----	2265 068	2265 068
5-20-18	WASHER, Adjusting Screw Socket End, except Police		4	2266 271	2266 271	2266 271
5-20-20	SPRING, Automatic Adjuster, 9" and 10" Brakes		4	2266 272	2401 514	
	11" Brakes, except Police		4	----	2265 069	2265 069
5-25-O BRAKE SHOE GUIDE						
5-25-9	PLATE, 10" Brakes		4	----	2267 045	
	11" Brakes		4	----	2260 788	2260 788
5-26-O WHEEL BRAKE SHOE GUIDE OR HOLD-DOWN SPRING						
5-26-1	SPRING, Hold-Down		8	2207 520	2260 791	2260 791
5-26-2	RETAINER, Hold-Down Spring		8	----	2260 792	2260 792
	Seat, Hold-Down Spring		8	----	2401 957	2401 957

* Indicates use as required.

□ Indicates parts not listed in any previous parts book.

* Indicates change or addition.

Numerals in parentheses () refer to notes.

Prices and specifications subject to change without notice.

Jan. 3, 1964 Supersedes Dec. 14, 1962.

1963 PASSENGER CAR PARTS CATALOG

BRAKE-SERVICE

CODE	PART NAME AND DESCRIPTION	C Y L.	PER CAR	VALIANT DART	PLYMOUTH DODGE	CHRYSLER IMPERIAL
5-26-O WHEEL BRAKE SHOE GUIDE OR HOLD-DOWN SPRING - Cont'd						
5-26-4	PIN, Hold-Down Spring, Front and Rear Wheel, 10" Brakes		8	----	2260 548	
	Front Wheel, 11" Brakes		4	----	2260 549	2260 549
	Rear Wheel, 11" x 2 1/2" Brakes, TA3, TC1, except Sub.		4	----	2260 548	2260 548
	Rear Wheel, 11" x 3" Brakes	8	4	----	2260 549	2260 549
5-26-5	ANCHOR, Hold-Down Spring	6	8	2072 675		
5-27-O BRAKE PEDAL AND BUSHING						
5-27-1	PEDAL, w/Std. Trans., TP1, TP2, TD1, TD2 . .		1	2260 736	2260 004	
	w/Auto. Trans., TP1, TP2, TD1, TD2		1	2260 738	2260 074	
	w/Std. or Auto. Trans., TA3, TC1, TC2, TC3 . .	8	1	-----	2404 779	2404 779
	TY1	8	1	----	----	2260 065
5-27-2	SLEEVE	6	1	2073 634		
	BUSHING		2	----	1637 779	1637 779
5-27-6	LOCK, Sleeve	6	1	2072 816		
	Taxi and Heavy Duty	6	1	2207 701		
5-27-9	BRACE, Pedal Bracket to Instrument Panel, TP1, TP2, TD1, TD2		1	----	2161 912	
	Pedal Bracket to Dash Panel, TP1, TP2, TD1, TD2		1	----	2162 795	
	Pedal Bracket to Reinforcement, TA3	8	1	----	1901 788	
	Pedal Bracket to Windshield Frame, TA3, TC1, TC2, TC3	8	1	----	1901 801	1901 801
5-27-12	NUT, Pedal Sleeve Lock Screw	6	1	2208 008		
5-27-21	BUSHING, Pedal Hub	6	2	2072 822		
5-28-O BRAKE PEDAL PAD						
5-28-8	PAD, w/Std. Trans., TP1, TP2, TD1, TD2		1	1731 228	1731 228	
	TA3, TC1, TC2	8	1	----	2405 088	2405 088
	w/Auto. Trans., TP1, TP2, TD1, TD2		1	2260 071	2260 071	
	TA3, TC1, TC2, TC3	8	1	----	E2405 082	E2405 082
	TY1	8	1	----	----	1946 357
5-29-O BRAKE PEDAL SHAFT						
5-29-1	SHAFT, w/Std. Trans., TC1, TC2		1	----	1730 009	1730 009
	w/Auto. Trans.		1	----	1637 782	1637 782
5-30-O BRAKE PEDAL STOP						
5-30-12	PIN, w/Power Brakes, TA3, TC1, TC2, TC3 . . .	8	1	----	2404 781	2404 781
5-31-O BRAKE PEDAL BRACKET						
5-31-11	REINFORCEMENT, w/o Power Brakes, TP1, TP2, TD1, TD2		1	----	2260 008	
	TA3, TC1, TC2	8	1	----	2260 705	2260 705
	w/Power Brakes, TP1, TP2, TD1, TD2		1	----	2401 405	
	TA3, TC1, TC2, TC3	8	1	----	2260 703	2260 703
	TY1	8	1	----	----	2260 069
5-31-12	GASKET, Reinforcement		1	----	2260 016	2260 016
5-31-13	NUT, Reinforcement, TC1, TC2, TC3		4	----	2076 232	2076 232
	Pedal Bracket		1	----	2076 232	2076 232
5-31-14	SPACER, Reinforcement to Master Cylinder, TC2-C300J	8	1	----	----	2401 861

★ Indicates use as required.

Numerals in parentheses () refer to notes.

Printed in U.S.A.

E Indicates parts not listed in any previous parts book.

Prices and specifications subject to change without notice.

Dec. 14, 1962 Supersedes Sept. 4, 1962.

* Indicates change or addition.

CODE	PART NAME AND DESCRIPTION	C Y L	PER CAR	VALIANT DART	PLYMOUTH DODGE	CHRYSLER IMPERIAL
5-31-O BRAKE PEDAL BRACKET - Cont'd						
5-31-15	BRACKET, Pedal, except TC2-300J		1	2266 779	2404 777	2404 777
	TC2-300J	8	1	---- --	---- --	2401 914
5-34-O BRAKE PEDAL RETURN SPRING						
5-34-1	SPRING, w/o Power Brakes, TC1, TC2		1	2260 710	2260 710	2260 710
5-34-6	SEAT, Spring, w/o Power Brakes, TC1, TC2 . . .		1	2260 709	2260 709	2260 709
5-39-O MASTER CYLINDER						
5-39-1	SERVICE PACKAGE, Master Cylinder, w/o Power Brakes, w/o Piston, TC1, TC2 . . .		1	2196 905	2196 905	2196 905
	w/o Power Brakes, w/PISTON, TC1, TC2		1	2421 315	2275 516	2275 516
	w/Power Brakes, w/PISTON		1	2298 939	2298 939	2298 939
5-39-3	CYLINDER, Master, w/o Power Brakes, TC1, TC2 w/Power Brakes, except TC2-300J		1	2421 353	2071 060	2071 060
	TC2-300J	8	1	*2275 519	2275 519	2275 519
				---- --	---- --	2401 863
5-39-10	SHIELD, Heat, w/426 cu. in. Engine, TP2, TD2 .	8	1	---- --	*2409 981	
5-39-11	BOLT, Mounting, w/o Power Brakes, TC1, TC2 .		4	---- --	2260 046	2260 046
5-39-12	WASHER, Cover Screw, TC2-300J	8	1	---- --	---- --	1193 106
5-39-18	GASKET, w/o Power Brakes, Master Cylinder to Dash, TC1, TC2		1	2401 862	1559 753	1559 753
	w/Power Brakes, Power Unit to Dash	6	1	2401 862		
	w/Power Brakes, Power Unit to Master Cylinder .	6	1	2074 965		
	w/Power Brakes, Master Cylinder to Dash, TC2-300J	8	1	---- --	---- --	1559 753
5-39-20	COVER		1	2265 642	2265 642	2265 642
5-39-21	SCREW, Cover		1	1556 675	1556 675	1556 675
5-39-24	GASKET, Cover		1	2401 152	2401 152	2401 152
5-40-O MASTER CYLINDER BOOT						
5-40-1	BOOT, w/o Power Brakes, TC1, TC2		1	1828 388	1828 388	1828 388
5-44-O MASTER CYLINDER PISTON						
5-44-8	STOP, w/o Power Brakes, TC1, TC2		1	1828 389	1828 389	1828 389
	w/Power Brakes		1	---- --	2265 635	2265 635
5-44-9	SCREW, Stop, w/Power Brakes		2	---- --	2200 341	2200 341
5-46-O MASTER CYLINDER PISTON RETURN SPRING						
5-46-1	SPRING		1	1738 268	1738 268	1738 268
5-47-O MASTER CYLINDER PISTON PUSH ROD						
5-47-4	BOLT, End		1	2201 181	2201 181	2201 181
5-47-8	NUT, End Bolt		1	2122 266	2122 266	2122 266
5-52-O MASTER CYLINDER BRAKE TUBE						
5-52-3	NUT, Master Cylinder End		1	1828 461	1828 461	1828 461
	Tee End		1	1739 226	1739 226	1739 226
5-52-62	CONNECTOR		1	1828 396	1828 396	1828 396

* Indicates use as required.

Numerals in parentheses () refer to notes.

Printed in U.S.A.

☐ Indicates parts not listed in any previous parts book.

Prices and specifications subject to change without notice.

* Indicates change or addition.

Page 5-11

Jan. 3, 1964 Supersedes Dec. 14, 1962.

1963 PASSENGER CAR PARTS CATALOG

BRAKE-SERVICE

CODE	PART NAME AND DESCRIPTION	CYL.	PER CAR	VALIANT DART	PLYMOUTH DODGE	CHRYSLER IMPERIAL
5-53-O BRAKE TUBING AND COVERS						
5-53-3	TUBING, 25 Foot Roll, 3/16" O.D.		★	1843 251	1843 251	1843 251
	1/4" O.D.		★	1843 252	1843 252	1843 252
	5/16" O.D.		★	1843 253	1843 253	1843 253
	3/8" O.D.		★	1843 254	1843 254	1843 254
5-53-4	COVER, Tubing, 25 Foot Roll, for 3/16" O.D. Tube For 1/4" O.D. Tube		★	1843 257	1843 257	1843 257
	For 5/16" O.D. Tube		★	1843 258	1843 258	1843 258
	For 3/8" O.D. Tube		★	1843 259	1843 259	1843 259
5-53-6	SHIELD, Brake Tube to Gearshift Control Cable, TP1, TP2, TD1, TD2		1	----	*1739 230	
5-56-O BRAKE TUBE CLIP						
5-56-2	CLIP		★	2123 341	2123 341	2123 341
			★	1119 423	1119 423	1119 423
			★	----	2207 933	
5-57-O BRAKE TUBE BRACKET						
5-57-2	BRACKET, Front, TA3, TC1, TC2, TC3	8	2	----	1739 248	1739 248
	TY1	8	2	----	----	2123 212
	Rear, TP1, TP2, TD1, TD2		1	----	2208 892	
	TA3, TC1, TC2, TC3	8	1	----	2123 214	2123 214
5-58-O BRAKE TUBE TEE						
5-58-1	TEE, Master Cylinder Tube to Brake Tube, TP1, TP2, TD1, TD2		1	2208 853	2207 937	
	TA3, TC1, TC2 except 300J, TC3	8	1	----	2123 217	2123 217
	TC2-300J	8	1	----	----	2074 069
	TY1	8	1	----	----	2123 218
	Rear Axle Tube, TP1, TP2, TD1, TD2		1	1940 621	1118 161	
	TA3, TC1, TC2, TC3	8	1	----	1940 622	1940 622
	TY1	8	1	----	----	2070 311
5-58-2	SCREW, Brake Tube Tee		1	6023 133	6023 133	6023 133
5-58-5	SPACER, Rear Axle Brake Tee, TY1	8	1	----	----	1940 447
5-62-O BRAKE FLEXIBLE HOSE						
5-62-1	HOSE, Front, TP1, TP2, TD1, TD2		2	2073 023	2200 996	
	TA3, TC1, TC2, TC3	8	2	----	2208 495	2208 495
	TY1	8	2	----	----	2208 496
	Rear, TP1, TP2, TD1, TD2		1	1739 215	2207 918	
	TA3, TC1, TC2, TC3	8	1	----	1739 249	1739 249
	TY1	8	1	----	----	1739 215
5-62-7	GASKET, Front Wheel Hose		2	2072 612	1406 748	1406 748
5-62-20	LOCK, Brake Hose to Bracket		3	2208 893	2208 893	2208 893
5-63-O WHEEL CYLINDER SERVICE PACKAGE						
5-63-1	SERVICE PACKAGE, Wheel Cylinder, Front . . .		2	2084 788	2275 535	2275 535
	Rear, except TP1, TP2, TD1, TD2, Police . . .		2	2084 789	2275 536	2275 536
	Rear, TP1, TP2, TD1, TD2, Police		2	----	2421 347	
5-63-3	SERVICE PACKAGE, Wheel Cylinder Piston, Front		2	2084 790	2275 539	2275 539
	Rear, except TP1, TP2, TD1, TD2, Police . . .		2	2084 791	2275 540	2275 540
	Rear, TP1, TP2, TD1, TD2, Police		2	----	2421 346	

★ Indicates use as required.

Numerals in parentheses () refer to notes.

Printed in U.S.A.

⊠ Indicates parts not listed in any previous parts book.

Prices and specifications subject to change without notice.

Jan. 3, 1964 Supersedes Sept. 4, 1962.

* Indicates change or addition.

CODE	PART NAME AND DESCRIPTION	CYL	PER CAR	VALIANT DART	PLYMOUTH DODGE	CHRYSLER IMPERIAL
5-64-0 WHEEL BRAKE CYLINDER						
5-64-1	CYLINDER, Front, Right, TP1, TP2, TD1, TD2		1	*2072 616	*2265 362	
	Left, TP1, TP2, TD1, TD2		1	*2072 617	*2265 363	
	Right, TA3	8	1	----	*2265 363	*2265 363
	Left, TA3	8	1	----	*2265 362	*2265 362
	Rear, TP1, TP2, TD1, TD2, except Police TA3		2	*2072 632	*2260 842	*2260 842
	Rear, TD1, TD2, TP1, TP2, Police and Heavy Duty		2	----	2401 930	
5-64-2	SCREW, Mounting, Front Wheel	6	4	*6023 963		
	Rear Wheel	6	4	*2072 615		
	Front and Rear Wheel		8	----	*2266 876	*2266 876
5-67-0 WHEEL CYLINDER BLEEDER SCREW						
5-67-1	SCREW		4	2072 658	2072 658	2072 658
5-69-0 WHEEL CYLINDER BOOT						
5-69-1	BOOT, Front		4	2072 625	2260 840	2260 840
	Rear		4	2072 679	2260 846	2260 846
5-70-0 WHEEL CYLINDER PISTON						
5-70-1	PISTON, Front		4	2072 655	2260 837	2260 837
	Rear, TP1, TP2, TD1, TD2, except Police, TA3		4	2072 656	2260 843	2260 843
	Rear, TP1, TP2, TD1, TD2, Police and Heavy Duty		4	----	2401 938	
5-71-0 WHEEL CYLINDER PISTON CUP						
5-71-1	CUP, Front		4	1669 337	2260 838	2260 838
	Rear, TP1, TP2, TD1, TD2, except Police, TA3		4	2072 636	2260 844	2260 844
	Rear, TP1, TP2, TD1, TD2, Police and Heavy Duty		4	----	2072 636	
5-71-2	SPRING, Front		2	1923 765	2260 839	2260 839
	Rear, TP1, TP2, TD1, TD2, except Police, TA3		2	2072 637	1923 765	1923 765
	Rear, TP1, TP2, TD1, TD2, Police and Heavy Duty		2	----	2072 637	
5-100-0 POWER BRAKE POWER UNIT						
5-100-1	REPAIR PACKAGE, Power Unit	6	1	*2075 001		
	For Midland-Ross Power Unit, TC1, TC2, TC3		1	----	*2448 343	*2448 343
	For Bendix Power Unit, TP1, TP2, TD1, TD2		1	----	2448 345	
	For Bendix Power Unit, TA3, TC1, TC2, TC3	8	1	----	2448 346	2448 346
	For Midland-Ross Power Unit, Minor Overhaul, TC2-300J	8	1	----	----	2448 347
	For Midland-Ross Power Unit, Major Overhaul, TC2-300J	8	1	----	----	2448 348
5-100-2	POWER UNIT, TP1, TP2, TD1, TD2, except 426 cu. in. Engine with Std. Trans.		1	*2401 865	*2421 355	
	TA3, TC1, TC2, TC3, w/Power Steering		1	----	2421 764	2421 764
	TC2-300J	8	1	----	----	2201 098
	TY1	8	1	----	----	2409 207
5-100-4	DIAPHRAGM and PRESSURE PLATE, TC2-300J	8	1	----	----	1267 503
	DIAPHRAGM, for Bendix Power Unit, TC1, TC2, TC3		1	----	2401 881	2401 881
5-100-5	RETAINER, Diaphragm	6	1	*2074 977		
5-100-7	SHELL, Power Unit, Rear	6	1	2409 203		
	Front	6	1	*2074 990		

★ Indicates use as required. Numerals in parentheses () refer to notes. Printed in U.S.A.
 ☐ Indicates parts not listed in any previous parts book. Prices and specifications subject to change without notice.
 * Indicates change or addition. Jan. 3, 1964 Supersedes Dec. 14, 1962.

CODE	PART NAME AND DESCRIPTION	C Y L.	PER CAR	VALIANT DART	PLYMOUTH DODGE	CHRYSLER IMPERIAL
5-100-0 POWER BRAKE POWER UNIT - Cont'd						
5-100-15	SPRING, Piston Return	6	1	*2074 999		
	TC2-300J	8	1	-----	-----	2401 877
5-100-17	GASKET, Hydraulic Cylinder, TC2-300J	8	1	-----	-----	1502 557
5-100-19	BLOCK, Push Rod Vee, TC2-300J	8	2	-----	-----	1502 556
5-100-20	ROD, Push, for Midland-Ross Power Unit		1	-----	2401 168	2401 168
		6	1	*2074 998		
5-100-22	SCREW, Front Housing Spacer, for Midland-Ross Power Unit		2	-----	2401 856	*2401 856
	Front to Rear Housing, for Midland-Ross Power Unit		10	-----	2401 173	2401 173
5-100-26	BOOT, Push Rod, for Midland-Ross Power Unit		1	-----	2401 165	2401 165
		6	1	*2074 987		
5-100-31	SNAP RING, Push Rod to Diaphragm Collar, TC2-300J	8	1	-----	-----	1191 144
5-100-32	RETAINER, Push Rod, for Midland-Ross Power Unit, TC1, TC2, TC3		1	-----	2401 166	2401 166
	For Bendix Power Unit TC1, TC2, TC3		1	-----	2401 888	2401 888
	Push Rod Seal, for Bendix Power Unit, TC1, TC2, TC3		1	-----	*2401 885	*2401 885
5-100-33	PISTON, TC2-300J	8	1	-----	-----	1267 509
5-100-43	CUP, Slave Cylinder, TC2-300J	8	1	-----	-----	1267 510
5-100-47	PLATE, Piston, Front	6	1	*2071 082		
5-100-53	WASHER, Hydraulic Cylinder End Cap, TC2-300J	8	1	-----	-----	1191 159
5-100-62	SCREW, Push Rod, for Midland-Ross Power Unit		1	-----	2401 852	2401 852
5-100-85	SPRING, Breather Control Piston, TC2-300J	8	1	-----	-----	2401 876
5-100-87	RING, Two Stage Reaction, for Midland-Ross Power Unit		1	-----	2401 866	2401 866
5-100-90	ADAPTOR, for Midland-Ross Power Unit		1	-----	2401 170	2401 170
5-100-91	SEAL, Valve Body, for Midland-Ross Power Unit		1	-----	2401 163	2401 163
	Adaptor, for Midland-Ross Power Unit		1	-----	2401 163	2401 163
	Adaptor Retainer, for Midland-Ross Power Unit		1	-----	2401 171	2401 171
5-100-92	RING, Adaptor Snap, for Midland-Ross Power Unit		1	-----	2401 164	2401 164
5-100-94	CONNECTOR, Vacuum Hose, for Midland-Ross Power Unit		1	-----	2401 159	2401 159
5-100-95	WASHER, Vacuum Hose Connector, for Midland-Ross Power Unit		1	-----	2401 857	2401 857
5-100-105	REINFORCEMENT, Brake Pedal Bellows, at Dash Panel, TY1	8	1	-----	-----	2217 843
5-100-119	DISC, Reaction, for Bendix Power Unit, TP1, TP2, TD1, TD2		1	-----	E2401 887	
	TA3, TC1, TC2, TC3		1	-----	*2409 990	*2409 990
5-100-152	PACKING KIT, Piston	6	1	*2075 000		

★ Indicates use as required.

Numerals in parentheses () refer to notes.

Printed in U.S.A.

☐ Indicates parts not listed in any previous parts book.

Prices and specifications subject to change without notice.

Jan. 3, 1964 Supersedes Dec. 14, 1962.

Page 5-14

* Indicates change or addition.

CODE	PART NAME AND DESCRIPTION	C Y L.	PER CAR	VALIANT DART	PLYMOUTH DODGE	CHRYSLER IMPERIAL
5-100-0 POWER BRAKE POWER UNIT - Cont'd						
5-100-153	KEY, Valve Plunger Stop, for Bendix Power Unit, TC1, TC2, TC3		1	----	2401 891	2401 891
5-100-154	BLOCK, Breather Control Piston Vee, TC2-300J	8	1	----	----	1193 701
5-100-155	"O" RING, Breather Control Valve, TC2-300J	8	1	----	----	2401 873
5-100-157	PLATE PACKAGE, Diaphragm and Piston	6	1	*2240 625		
5-100-161	SEAL, Sleeve, for Midland-Ross Power Unit		1	----	2401 172	2401 172
	"O" RING, for Midland-Ross Power Unit		1	----	2401 132	2401 132
	Valve Body, for Bendix Power Unit		1	----	2401 126	2401 126
	Reaction Hub, for Bendix Power Unit, TY1	8	1	----	----	2266 942
5-100-166	RETAINER PACKAGE, Plunger and Push Rod, for Midland-Ross Power Unit, TC1, TC2, TC3. Plunger, Vacuum Valve	6	1	*2074 981	2448 745	2448 745
5-100-167	BUSHING, Plunger, for Midland-Ross Power Unit.		2	----	2401 853	2401 853
5-100-169	ROD, Valve Operating	6	1	*2074 997		
5-100-176	DIAPHRAGM, Plate and Valve Body, for Bendix Power Unit, TP1, TP2, TD1, TD2		1	----	2401 879	
	TA3, TC1, TC2, TC3	8	1	----	2401 880	2401 880
5-100-180	RETAINER, Silencer, for Bendix Power Unit, TC1, TC2, TC3		1	----	2401 892	2401 892
5-100-185	CLEANER, Air, w/TUBE	6	1	*2074 992		
5-100-189	HUB, w/LEVERS	6	1	*2074 985		
5-100-190	LINK, Pedal	6	1	*2074 989		
5-100-191	PIN, Lever Pivot	6	1	*2074 986		
5-100-192	WASHER, Bowed	6	2	*2075 005		
5-100-193	SPRING, Valve Return	6	1	*2074 980		
5-100-194	PIN, Clevis	6	2	*2075 006		
5-100-195	RING, Diaphragm Retaining, for Midland-Ross Power Unit		1	----	2401 161	2401 161
	Lever Retaining, for Midland-Ross Power Unit		1	----	2401 858	2401 858
5-100-196	SPRING, Poppet Return	6	1	*2074 979		
5-100-197	SILENCER, Valve, for Bendix Unit		1	----	2401 154	2401 154
5-100-210	RETAINER, Front Shell Seal, for Bendix Unit, TY1.	8	1	----	----	2401 129
5-100-212	GROMMET, By-Pass Tube, TC2-300J	8	1	----	----	1923 484
5-100-242	"O" RING, Push Rod Bushing, TC2-300J	8	1	----	----	1502 565
	Hydraulic Cylinder to Front Chamber, TC2-300J.	8	1	----	----	1502 566
5-100-299	NUT, Breather Control Diaphragm Plate, TC2-300J	8	1	----	----	1506 248
5-100-304	SEAL, Breather Control Piston, TC2-300J.	8	1	----	----	1502 559

★ Indicates use as required.

⊠ Indicates parts not listed in any previous parts book.

* Indicates change or addition.

Numerals in parentheses () refer to notes.

Printed in U.S.A. Prices and specifications subject to change without notice.

Jan. 3, 1964 Supersedes Dec. 14, 1962.

1963 PASSENGER CAR PARTS CATALOG

BRAKE-SERVICE

CODE	PART NAME AND DESCRIPTION	C Y L.	PER CAR	VALIANT DART	PLYMOUTH DODGE	CHRYSLER IMPERIAL
5-101-O POWER UNIT MOUNTING BRACKET						
5-101-1	BRACKET, Mounting, for Midland-Ross Power Unit, TC2-C300J	8	1	----	----	2201 089
5-101-5	REINFORCEMENT, Bracket, TC2-300J	8	1	----	----	2401 911
5-101-6	GASKET, Reinforcement, TC2-300J	8	1	----	----	2401 913
5-102-O POWER BRAKE VACUUM TANK						
5-102-2	TANK, Vacuum	6	1	2201 905		
5-102-11	NUT, Vacuum Tank Mounting	6	2	2076 232		
5-105-O POWER BRAKE VACUUM CHECK VALVE						
5-105-1	VALVE, Vacuum Check, for Midland-Ross Power Unit, except TC2-300J		1	----	2421 083	2421 083
	TC2-300J	8	1	----	----	2401 870
	For Bendix Power Unit, TC1, TC2, TC3		1	2074 934	2401 886	2401 886
	TY1	8	1	----	----	2409 211
5-105-10	WASHER, Check Valve, TC2-300J	8	1	----	----	2401 871
	SEAL, Check Valve	8	1	----	*2401 132	*2401 132
5-110-O POWER BRAKE TUBE CONNECTOR						
5-110-18	CONNECTOR, Tube, Single	6	1	1944 154		
	2 Way, TC1, TC2, TC3		1	1944 092	1944 092	1944 092
	2 Way, TY1	8	1	----	----	2405 466
	3 Way		1	----	1948 838	1948 838
	4 Way, TC3 Luxury New Yorker	8	1	----	----	2460 416
5-111-O POWER BRAKE VACUUM HOSE						
5-111-17	HOSE (11/32" I.D. (sold by the inch)		★	*1064 541	1064 541	1064 541
	(1/2" I.D. - sold by the inch) TC2-300J	8	★	----	----	1671 650
5-112-O POWER BRAKE HOSE CLAMP						
5-112-1	CLAMP, Worm Gear Type, 5/8" to 1 3/8"		★	B2448 770	B2448 770	B2448 770
5-113-O POWER BRAKE AIR CLEANER						
5-113-17	BREATHER, for Midland-Ross Power Unit, TC2-C300J	8	1	----	----	2201 099
	Filter, for Midland-Ross Power Unit		1	----	2401 855	2401 855
	For Bendix Power Unit, in Valve Rod Guard		1	----	2401 155	2401 155
	For Bendix Power Unit, in Valve Body		1	----	2401 882	2401 882

NOTES

★ Indicates use as required. Numerals in parentheses () refer to notes. Printed in U.S.A.
 B Indicates parts not listed in any previous parts book. Prices and specifications subject to change without notice.
 Jan. 3, 1964 Supersedes Dec. 14, 1962. * Indicates change or addition.