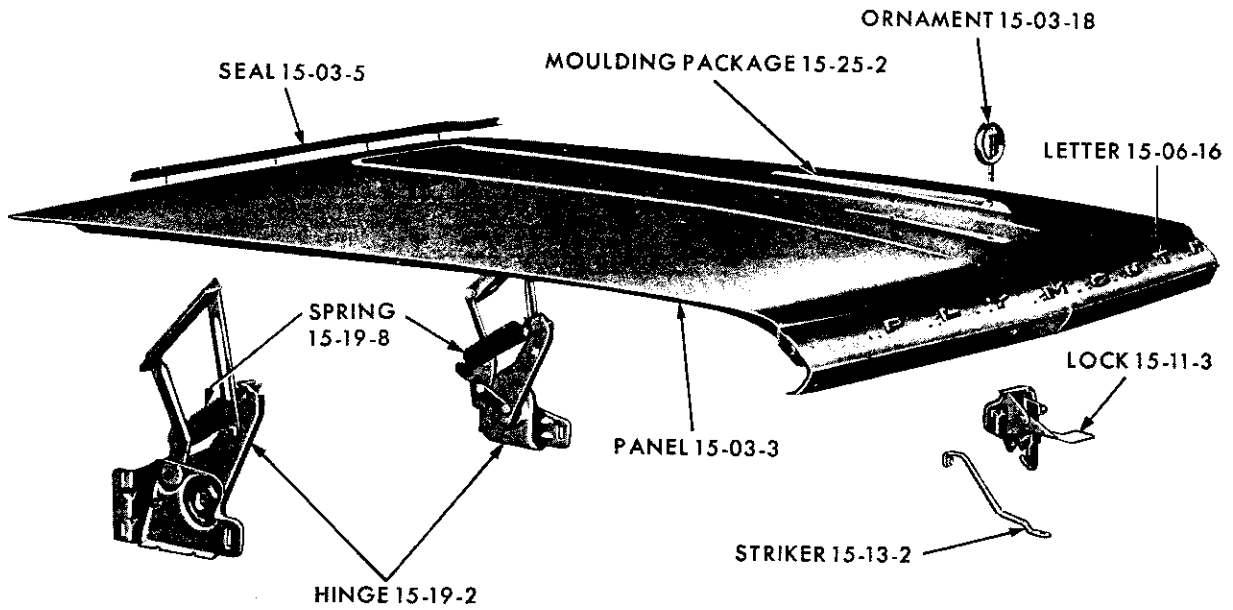
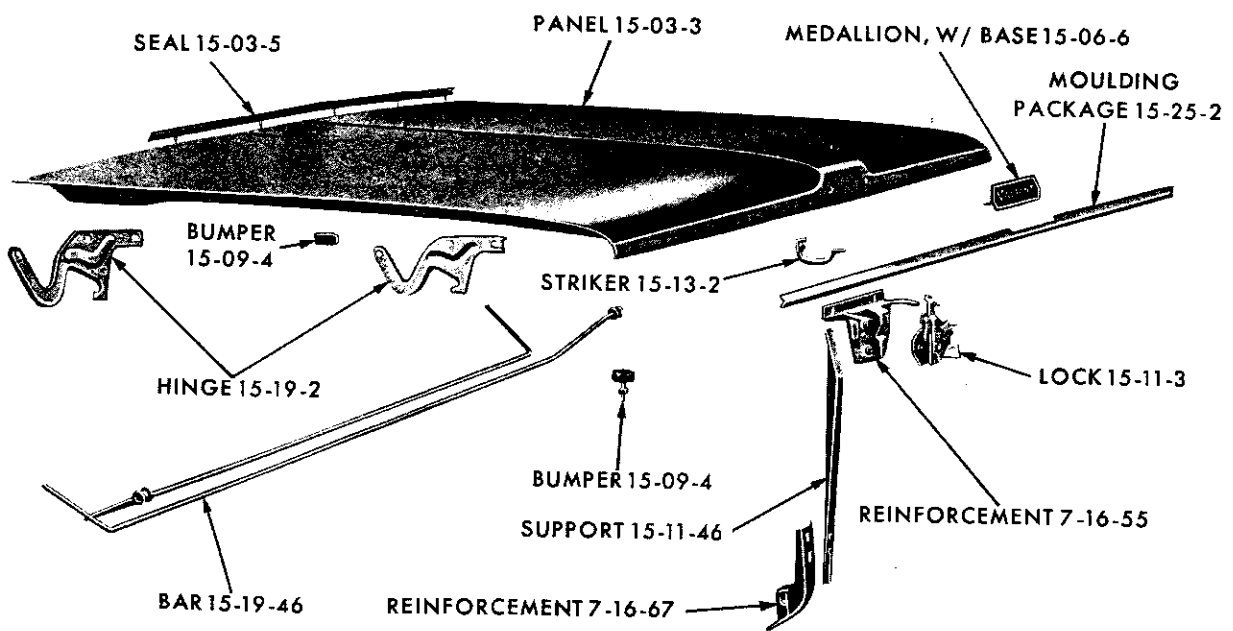


GROUP 15 - HOOD



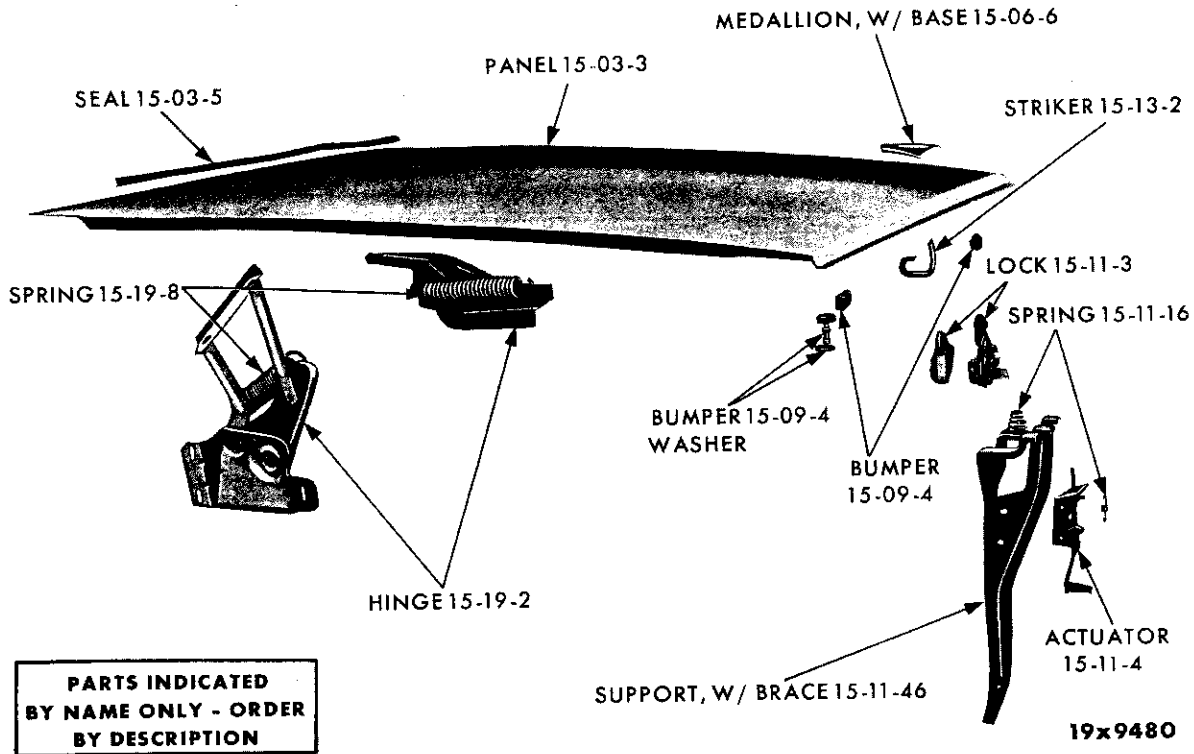
19x9503

HOOD - PLYMOUTH TP1-2

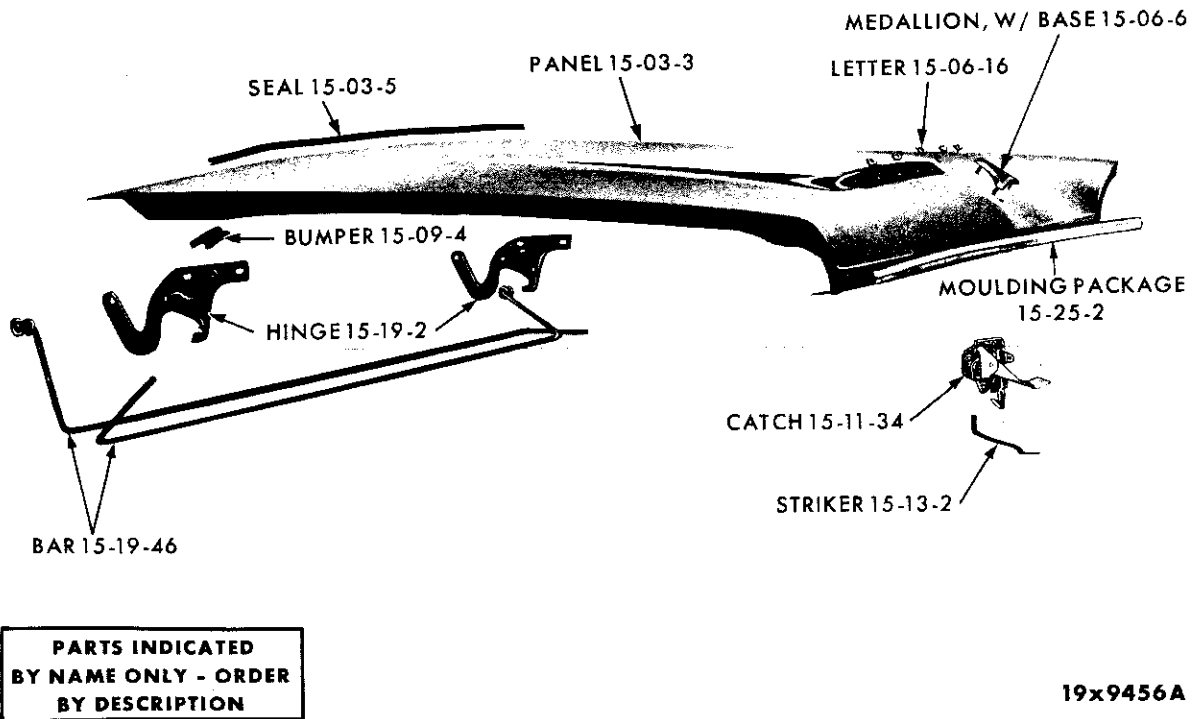


19x9502

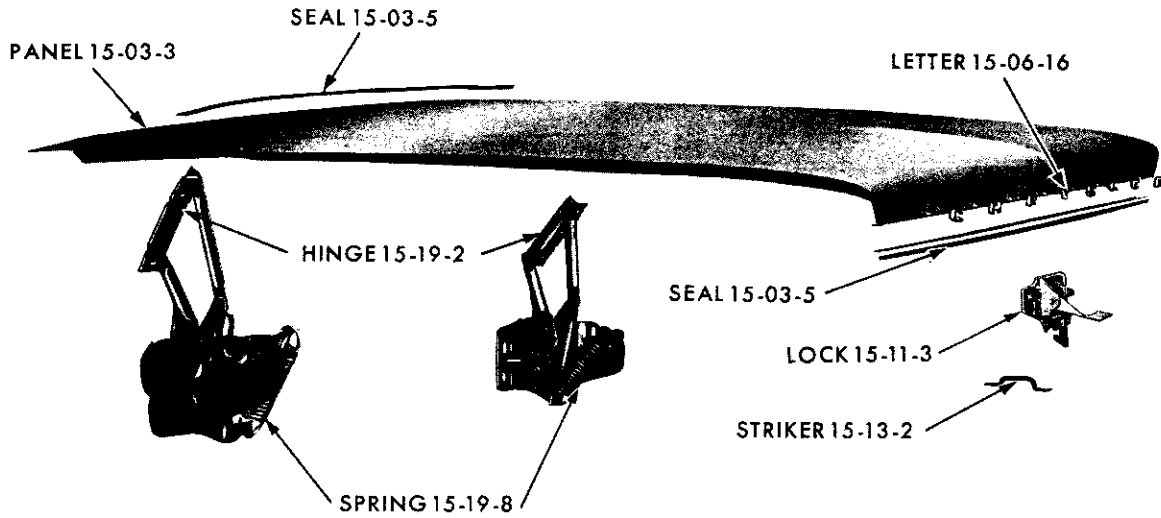
HOOD - VALIANT TV1



HOOD - DODGE TD1-2

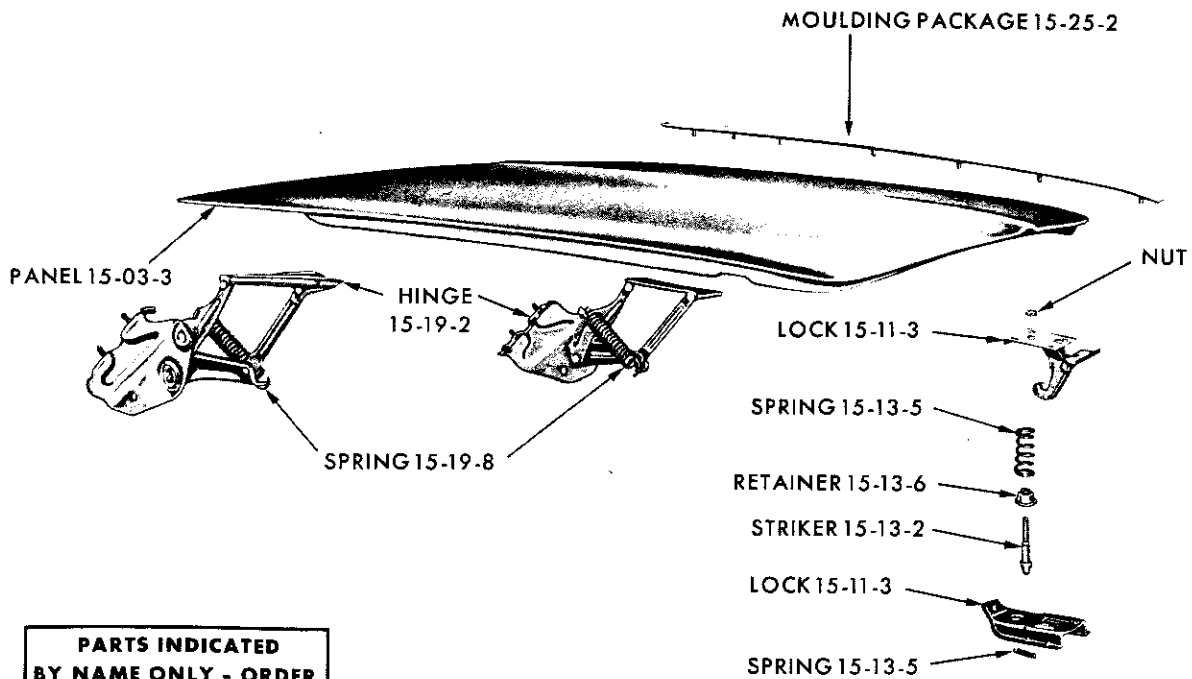


HOOD - DART TL1



19x9457A

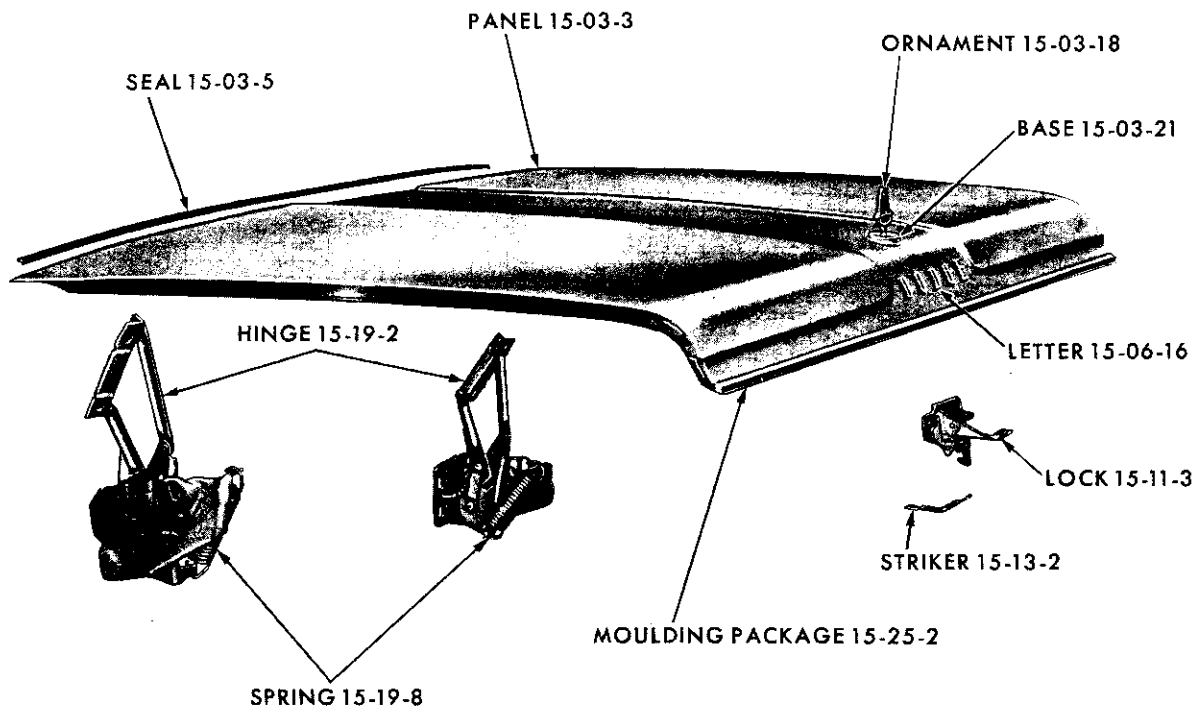
HOOD - CHRYSLER TC1-2-3



**PARTS INDICATED  
BY NAME ONLY - ORDER  
BY DESCRIPTION**

19x8938A

HOOD - IMPERIAL TY1



19x9606A

HOOD - DODGE TA3

**NOTES**

---

---

---

---

---

---

---

---

---

---

---

---

---

---

---

---

---

---

---

---

---

---

---

---

CODE	PART NAME AND DESCRIPTION	C Y L.	PER CAR	VALIANT DART	PLYMOUTH DODGE	CHRYSLER IMPERIAL
<b>15-03-0 HOODTOP PANEL</b>						
15-03-3	PANEL, TV1	6	1	2253 422		
	TL1	6	1	*2253 423		
	TP1, TP2		1	----	2253 460	
	TD1, TD2		1	----	2253 446	
	TA3	8	1	----	*2493 129	
	TC1, TC2, TC3	8	1	----	----	2253 430
	TY1	8	1	----	----	1904 054
15-03-5	SEAL, Hood to Cowl, w/FASTENER		1	2217 348	2217 348	
	TC1, TC2, TC3, TA3	8	1	----	2165 551	2165 551
	Panel to Yoke (specify 3 ft.)	8	1	----	1242 974	1242 974
	CLIP, to Inner Panel		*	----	6010 094	
	CLIP, to Yoke		*	----	6000 070	6000 070

## 15-03-18 ORNAMENT, Hood Top

NOTE: See Exterior Moulding Illustrations in Front of Group 23 Body.

15-03-60	SILENCER, except TA3		1	E2445 948	*2417 841	
	TA3, TC1, TC2, TC3	8	1	----	E2445 949	E2445 949
	TY1	8	1	----	----	2276 955
	CLIP		*	6000 932	6000 932	6000 932

## 15-06-0 HOOD NAME PLATE, MEDALLION AND LETTERS

NOTE: See Exterior Moulding Illustrations in Front of Group 23 Body.

## 15-09-0 HOOD BUMPER

15-09-4	BUMPER, Hood to Cowl	6	2	----	2417 139	
	Hood to Yoke (also specify 2-6023 531 Screw)		2	*2276 804	*2276 804	*2276 804
	Hood to Fender		2	2276 917	2276 916	2276 916
	Hood to Fender, TA3, for Spacing	8	4	----	2417 523	
	Hood to Fender, w/o Stud, TA3	8	2	----	2276 885	2276 885
	Hood to Fender, use for Spacing		2	----	2276 749	2276 749
	Hood to Fender, Front, TY1	8	4	----	----	1904 197
	Side, TY1	8	6	----	----	1904 198
	NUT		2	* 120 376	* 120 376	* 120 376
	WASHER		2	128 051	128 051	128 051

## 15-11-0 HOOD LOCK

15-11-3	LOCK, TL1, TP1, TP2, TC1, TC2, TC3, TA3		1	2428 050	2428 050	2428 050
	TV1, TD1, TD2		1	2428 070	2428 070	
	Upper Half, TY1	8	1	----	----	1904 143
	Lower Half, TY1	8	1	----	----	1904 175
	SCREW, w/WASHER, except TY1		4	6024 100	6024 100	6024 100
	SCREW, w/WASHER, TY1	8	2	----	----	* 180 020
15-11-4	ACTUATOR, w/Release Handle, Hood Lock Release, TD1, TD2		1	----	2299 546	
15-11-7	BRACE, Vertical Support to Dust Shield, TP1, TP2		1	----	2276 316	
	Lock Vertical, TP1, TP2, TC1, TC2, TC3		1	----	2276 505	2276 427
	Lock Vertical, TA3	8	1	----	2417 301	
	BRACE, Radiator Grille to Hood Lock Vertical Support, TD1, TD2		1	----	E2417 220	
	Lower Lock to Dust Shield, TY1	8	1	----	----	2099 801
	SCREW		*	----	* 180 020	* 180 020
15-11-16	SPRING, Hood Lock Release Handle, TV1, TD1, TD2		1	2299 838	2299 838	
	Hood Lock Pop-Up, TP1, TP2, TD1, TD2, TA3, TC1, TC2, TC3		1	----	*2299 599	*2299 599

★ Indicates use as required.

Numerals in parentheses ( ) refer to notes.

Printed in U.S.A.

E Indicates parts not listed in any previous parts book.

Prices and specifications subject to change without notice.

\* Indicates change or addition.

# 1963 PASSENGER CAR PARTS CATALOG

CODE	PART NAME AND DESCRIPTION	C Y L.	PER CAR	VALIANT DART	PLYMOUTH DODGE	CHRYSLER IMPERIAL
<b>15-11-0 HOOD LOCK - Cont'd</b>						
15-11-38	SPRING, Lock Latch to Pawl, except TY1 . . . . .		1	2428 125	2428 125	2428 125
	Lock Safety Catch . . . . .		1	2428 120	2428 120	2428 120
15-11-40	DOUBLER or STRAINER, Hood Inner Panel, TA3, TC1, TC2, TC3 . . . . .	8	1	----	E2445 176	E2445 176
15-11-46	SUPPORT, Lock Vertical, TV1, TP1, TP2 . . . . .		1	2276 077	2276 313	
	TL1 . . . . .	6	1	2276 133		
	TD1, TD2 . . . . .		1	----	2253 891	
	TA3, TC1, TC2, TC3 . . . . .	8	1	----	2417 600	2417 600
	Lower Lock, TY1 . . . . .	8	1	----	----	1904 173
	SCREW, w/WASHER, Support to Crossmember . . . . .		2	* 180 020	* 180 020	
	SCREW, w/WASHER, Stone Deflector Brace to Lock . . . . .		*	----	* 180 020	* 180 020
15-11-53	REINFORCEMENT, Lock Vertical Brace, TC1, TC2, TC3 . . . . .	8	1	----	----	2417 138
<b>15-13-0 HOOD LOCK STRIKER</b>						
15-13-2	STRIKER, TV1 . . . . .	6	1	2299 511		
	TL1 . . . . .	6	1	2299 541		
	TP1, TP2 . . . . .		1	----	*2520 274	
	TD1, TD2 . . . . .		1	----	2299 543	
	TA3 . . . . .	8	1	----	2428 273	
	TC1, TC2, TC3 . . . . .	8	1	----	----	2299 544
	TY1 . . . . .	8	1	----	----	1863 331
	SCREW . . . . .		2	* 180 021	* 180 021	* 180 021
	NUT, TP1, TP2 . . . . .		1	----	* 120 375	
15-13-5	SPRING, Upper Lock Striker, TY1 . . . . .	8	1	----	----	1373 263
	Lower Lock Striker, TY1 . . . . .	8	1	----	----	1904 896
15-13-6	RETAINER, Striker Spring, TY1 . . . . .	8	1	----	----	1696 605
<b>15-14-0 HOOD LOCK CONTROL</b>						
15-14-1	CONTROL, on Instrument Panel, TY1 . . . . .	8	1	----	----	2217 195
	SCREW . . . . .	8	2	----	----	148 034
15-14-12	STOP, Control Cable, TY1 . . . . .	8	1	----	----	932 143
15-14-13	SCREW, Cable Stop, TY1 . . . . .	8	1	----	----	988 098
15-14-20	GROMMET, Control Cable, TY1 . . . . .	8	1	----	----	2161 290
15-14-21	SLEEVE, Control Cable, TY1 . . . . .	8	1	----	----	2097 055
<b>15-19-0 HOOD HINGE</b>						
15-19-2	HINGE, Right, except TA3, TY1 . . . . .		1	2243 282	2486 196	1903 440
	Left, except TA3, TY1 . . . . .		1	2243 283	2486 197	1903 441
	Right, TA3 . . . . .	8	1	----	1903 440	
	Left, TA3 . . . . .	8	1	----	1903 441	
	Right, TY1 . . . . .	8	1	----	----	1904 160
	Left, TY1 . . . . .	8	1	----	----	1904 161
	NUT, Hinge to Body . . . . .	6	2	6023 350	----	
	NUT, Hinge to Cowl, TY1 . . . . .	8	2	----	----	120 376
	SCREW, w/WASHER, Hinge to Hood . . . . .		4	* 180 078	----	* 180 078
	SCREW, w/WASHER, Hinge Attaching . . . . .		10	----	* 180 078	
	SCREW, w/WASHER, Hinge to Cowl . . . . .	8	4	----	----	* 180 078
	SCREW, w/WASHER, Hinge to Stone Shield, TC1, TC2, TC3, TA3 . . . . .	8	2	----	*6022 031	6022 031
	SCREW, w/WASHER, Hinge to Hood, TY1 . . . . .	8	2	----	----	6022 270

★ Indicates use as required. Numerals in parentheses ( ) refer to notes. Printed in U.S.A.  
 □ Indicates parts not listed in any previous parts book. Prices and specifications subject to change without notice.  
 \* Indicates change or addition.  
 Jan. 3, 1964 Supersedes Dec. 14, 1962. Page 15-6

CODE	PART NAME AND DESCRIPTION	CYL.	PER CAR	VALIANT DART	PLYMOUTH DODGE	CHRYSLER IMPERIAL
<b>15-19-0 HOOD HINGE - Cont'd</b>						
15-19-2	HINGE - Cont'd					
	SCREW, w/WASHER, Hinge to Fender Bracket, TY1	8	2	-----	-----	* 180 079
	SCREW, w/WASHER, Hinge to Dash Panel, SCREW, w/WASHER, Hinge to Dash Panel, TY1	8	2	-----	-----	* 180 079
	SCREW, w/WASHER, Hinge to Cowl, Right Side, TY1	8	2	-----	-----	* 180 078
	STUD, Hinge to Cowl, Left Side, TY1	8	2	-----	-----	6023 484
	SHIM, Hinge to Hood, TY1	8	2	-----	-----	6010 031
	WASHER, Hinge to Cowl, Left Side, TY1	8	2	-----	-----	6022 187
15-19-3	SPACER, Hinge to Body	6	2	1706 470		
15-19-4	SCREW, w/WASHER, Hinge to Hood, Rear, TY1	8	2	-----	-----	1903 386
	STUD, Hinge to Cowl, Left Side, TY1	8	2	-----	-----	6023 484
15-19-8	SPRING, Hinge		2	-----	2486 190	
	TA3	8	2	-----	*2299 598	
	TC1, TC2, TC3	8	2	-----	-----	2299 598
	TY1	8	2	-----	-----	1754 236
15-19-46	BAR, Hood Hinge Torsion, Right, TV1	6	1	2299 600		
	Left, TV1	6	1	2299 601		
	Right, TL1	6	1	2428 148		
	Left, TL1	6	1	2428 149		
15-19-47	BRACKET, Torsion Bar Anti-Rattle	6	1	2217 124		

**15-25-0 HOOD MOULDING**

NOTE: See Exterior Moulding Illustrations in Front of Group 23 Body.

**NOTES**

★ Indicates use as required. Numerals in parentheses ( ) refer to notes. Printed in U.S.A.  
 ☐ Indicates parts not listed in any previous parts book. Prices and specifications subject to change without notice.  
 \* Indicates change or addition.

