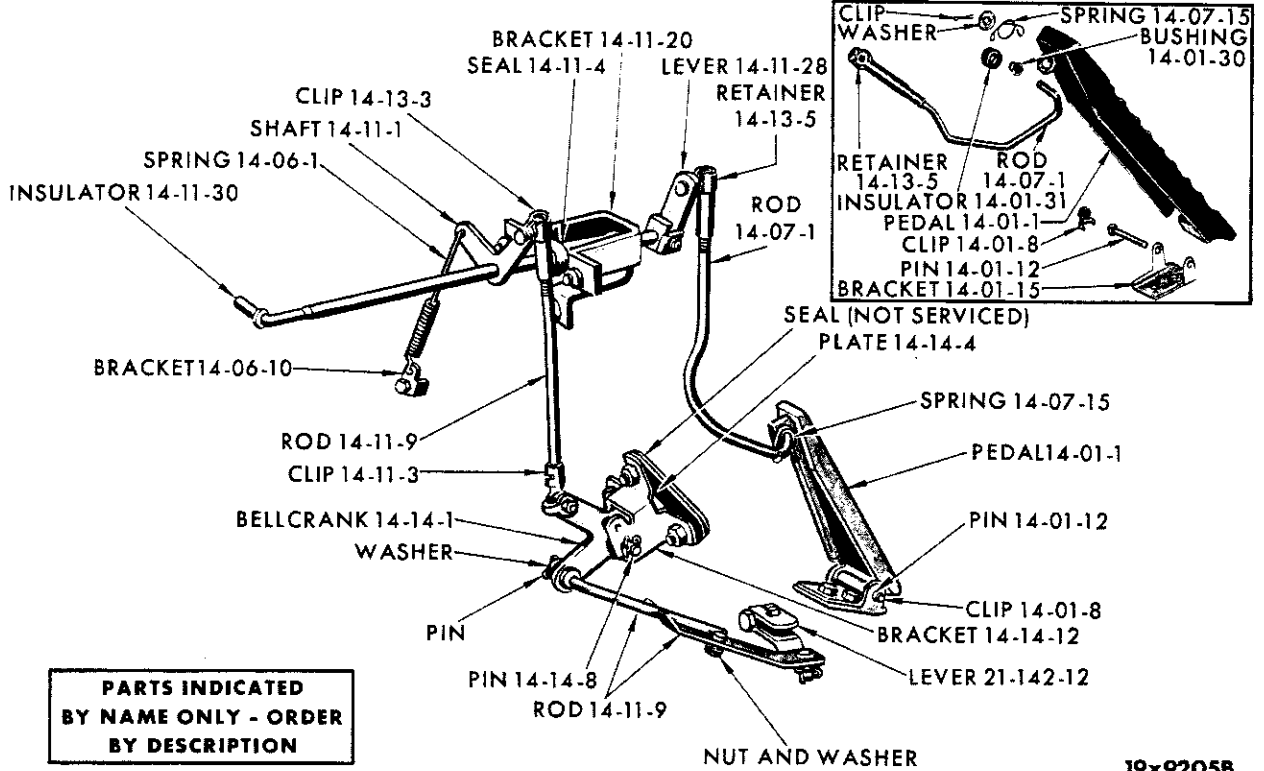
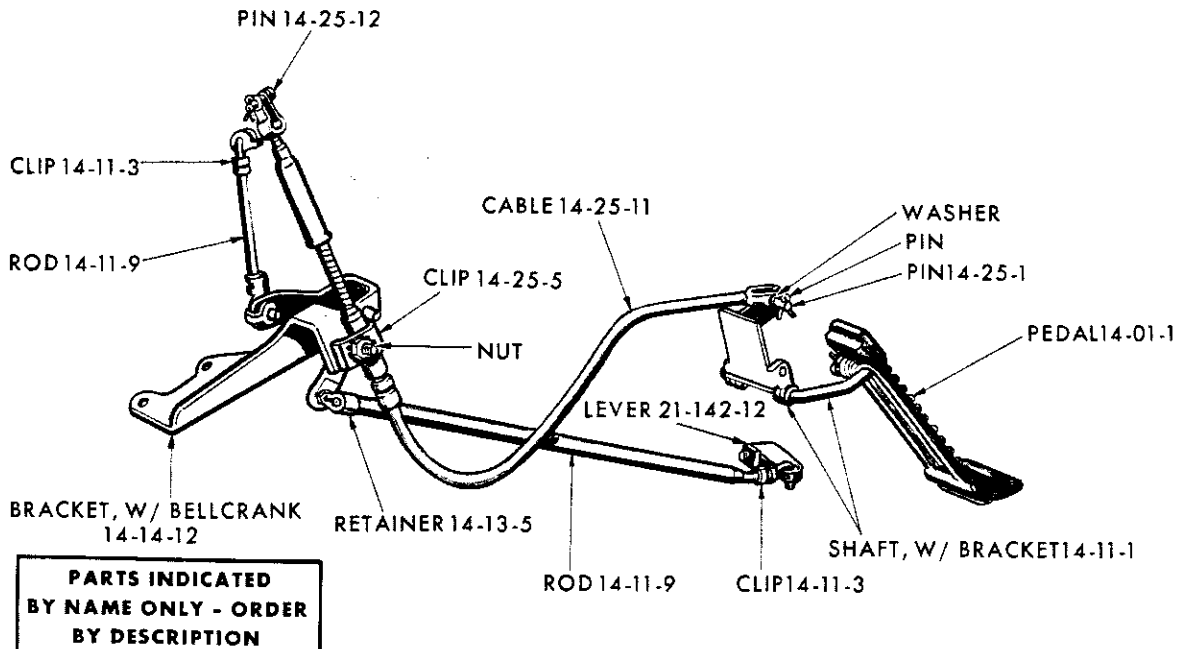


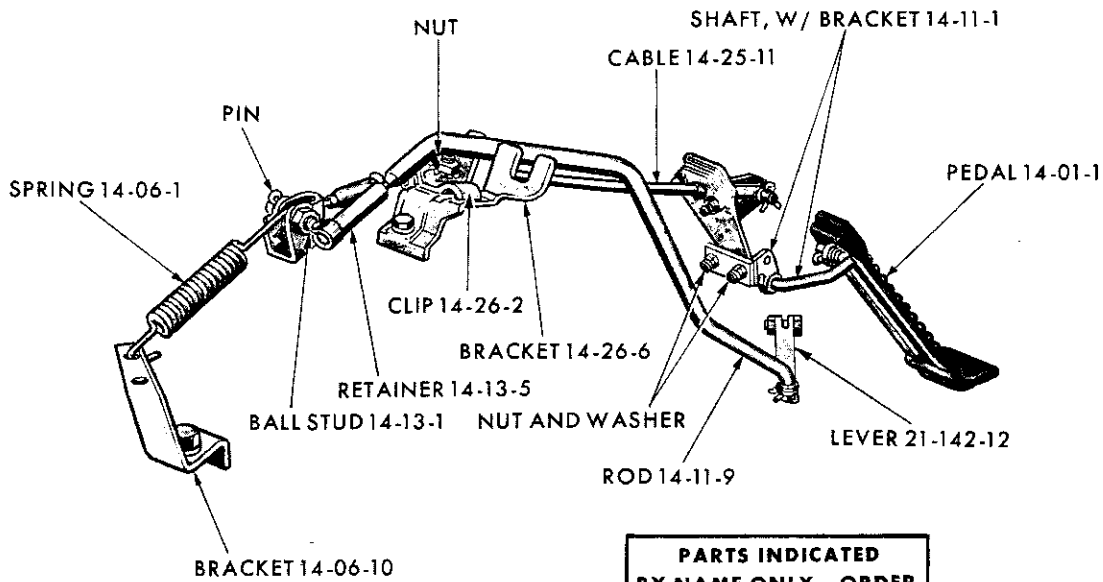
GROUP 14 - FUEL



THROTTLE LINKAGE (6 CYLINDER) AUTOMATIC TRANSMISSION - VALIANT TV1 AND DART TL1



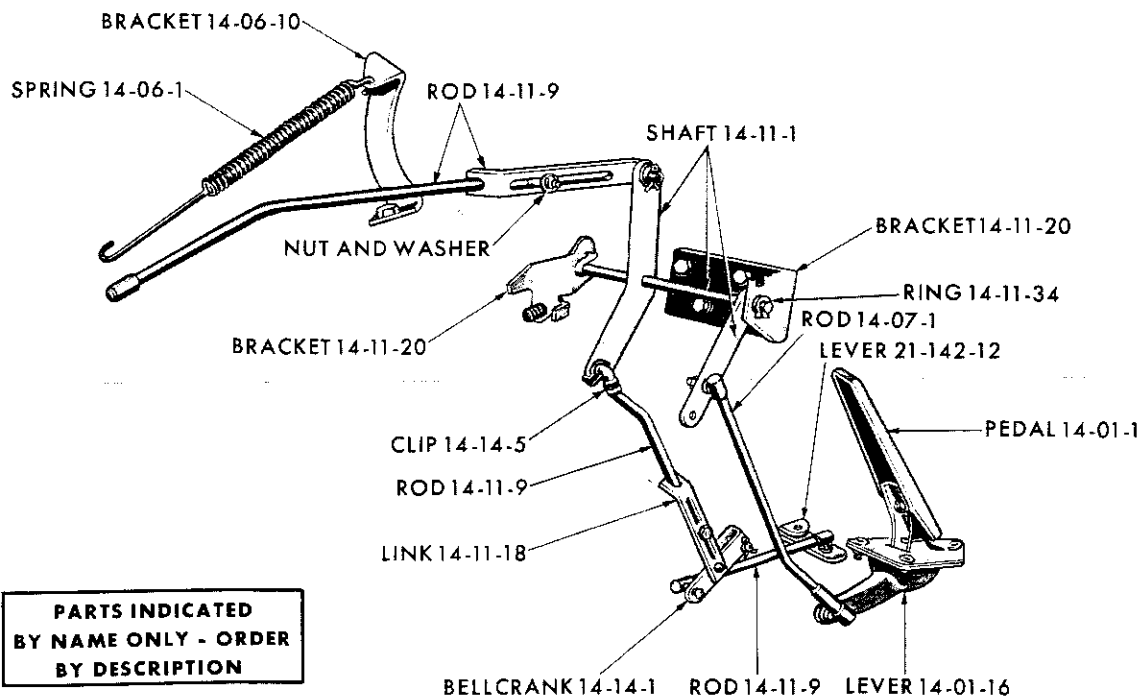
THROTTLE LINKAGE (AUTOMATIC TRANSMISSION) - PLYMOUTH TP1 AND DODGE TD1



**PARTS INDICATED
 BY NAME ONLY - ORDER
 BY DESCRIPTION**

19x9222

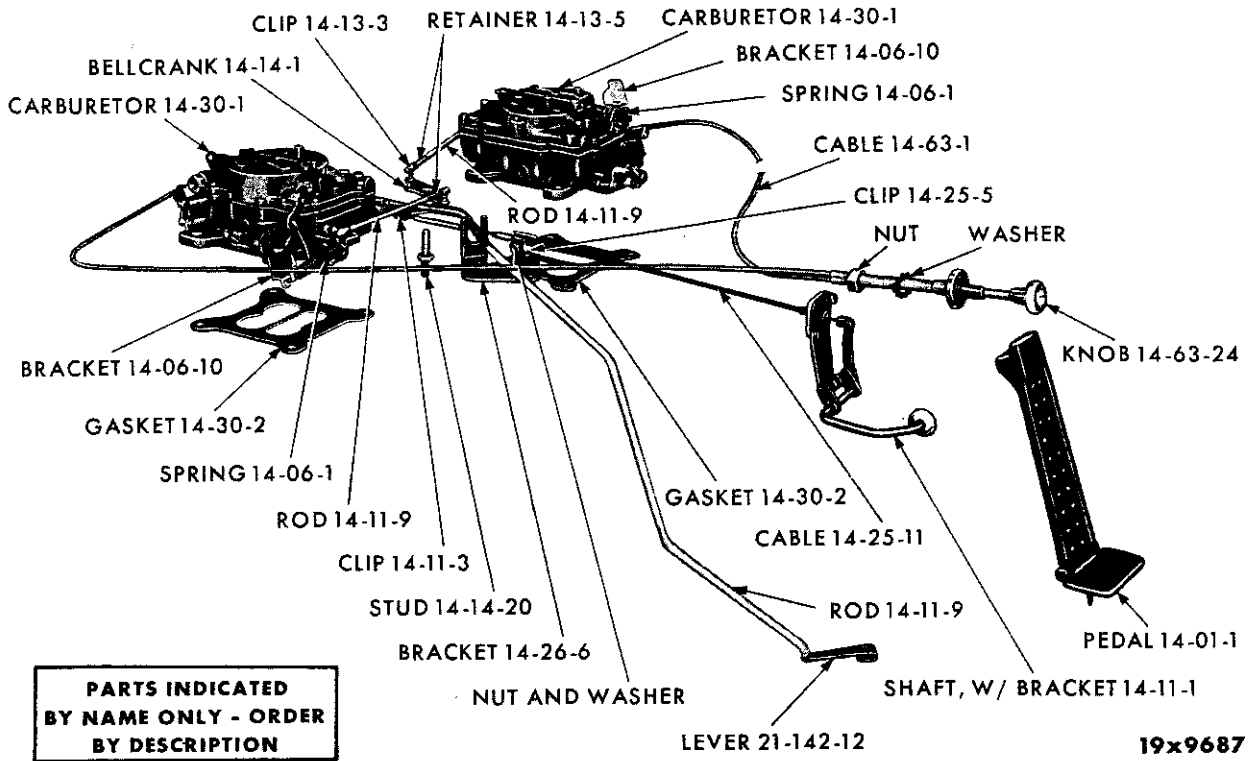
THROTTLE LINKAGE (AUTOMATIC TRANSMISSION) - PLYMOUTH TP2 AND DODGE TD2



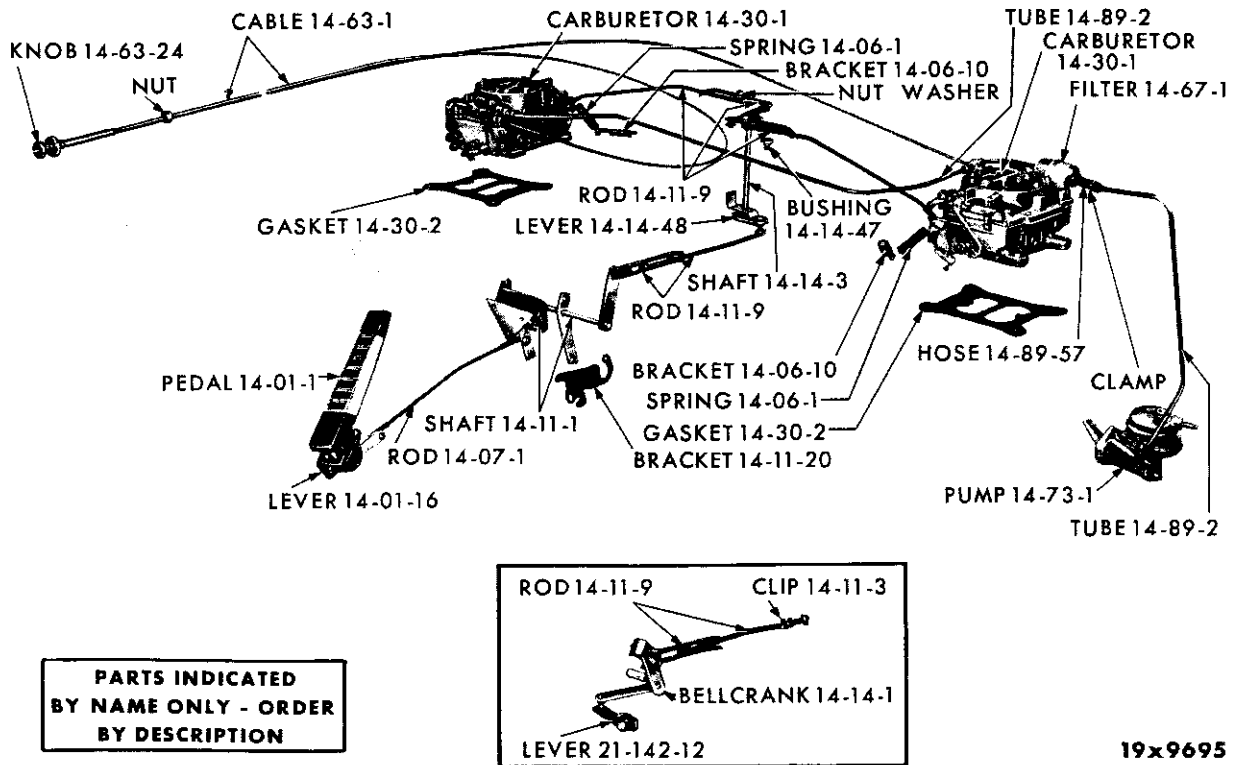
**PARTS INDICATED
 BY NAME ONLY - ORDER
 BY DESCRIPTION**

19x9219A

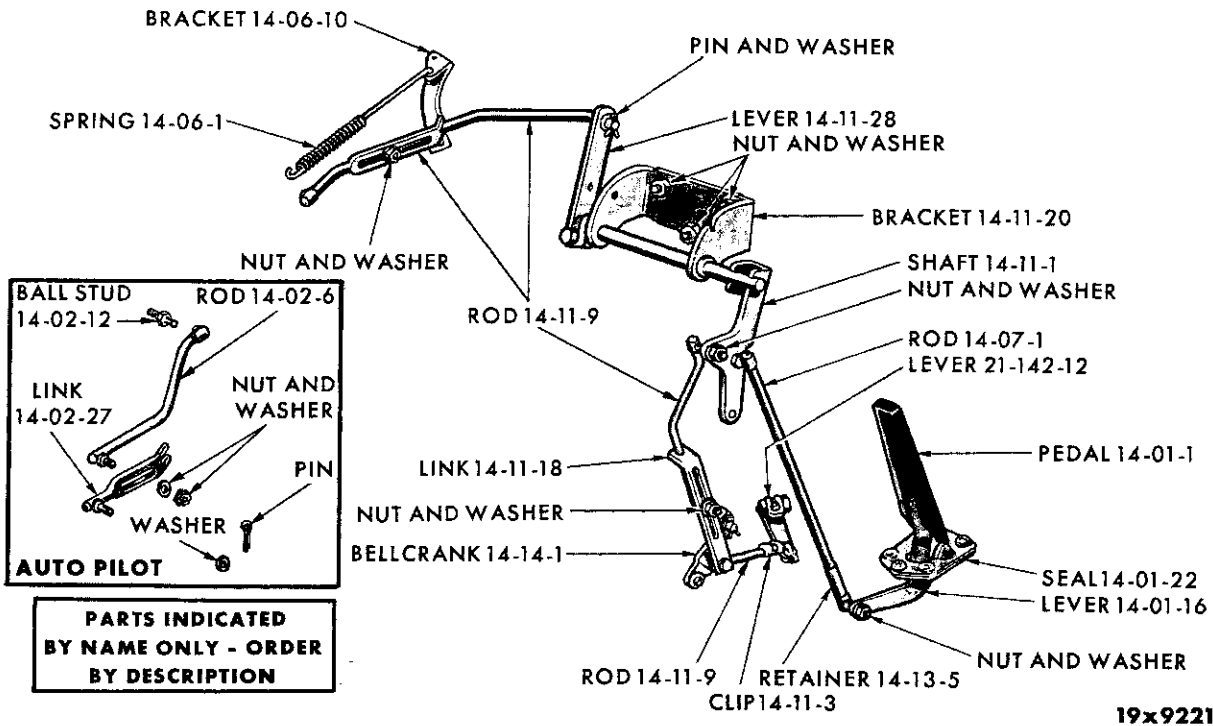
THROTTLE LINKAGE - CHRYSLER TC1-2-3



THROTTLE LINKAGE - CHRYSLER TC1-2-3 (HIGH PERFORMANCE)



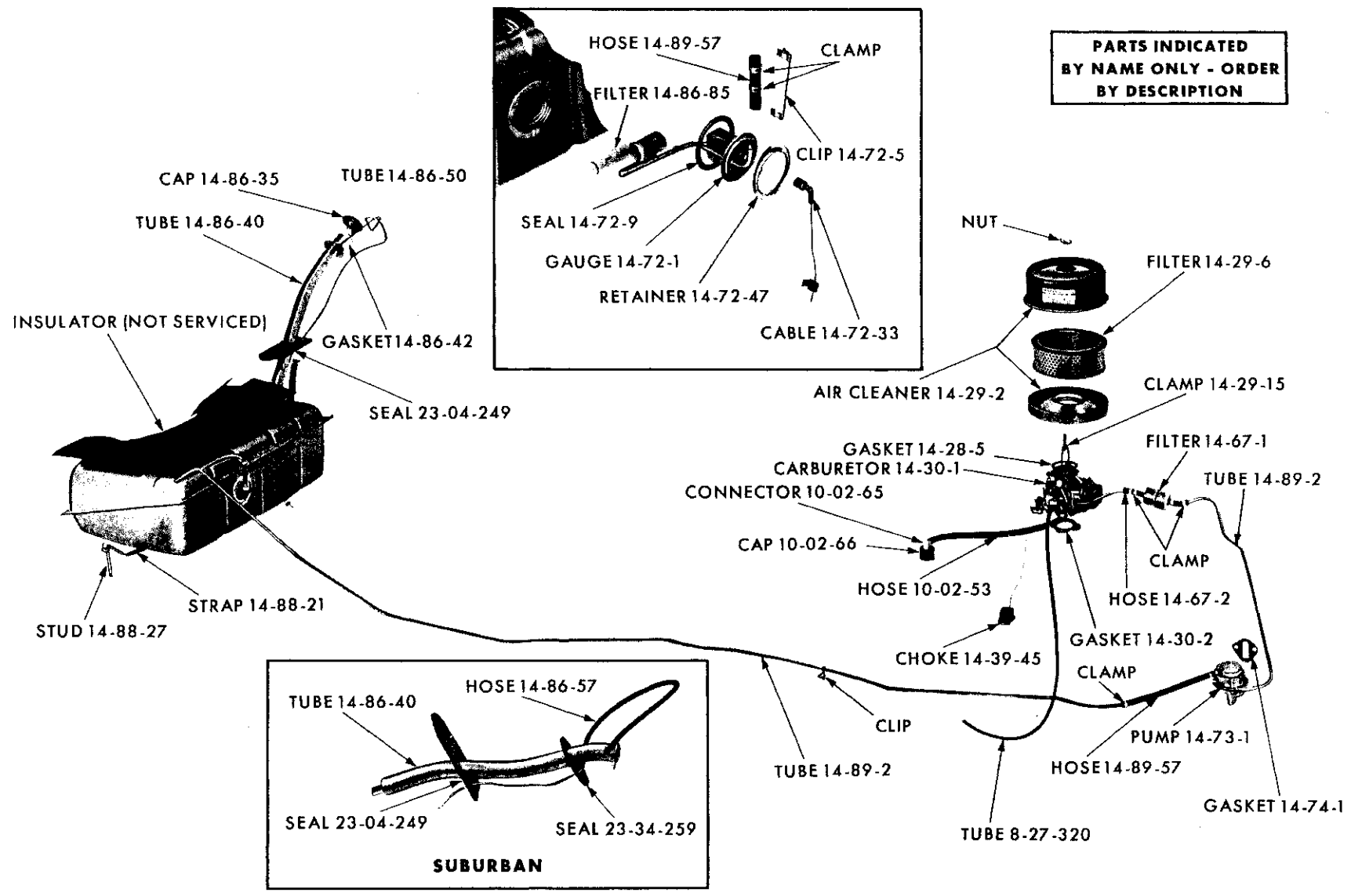
THROTTLE LINKAGE - CHRYSLER TC2-300J (WITH 413 CU. IN. ENGINE)



THROTTLE LINKAGE (WITH AUTOMATIC PILOT LINKAGE) - IMPERIAL TY1

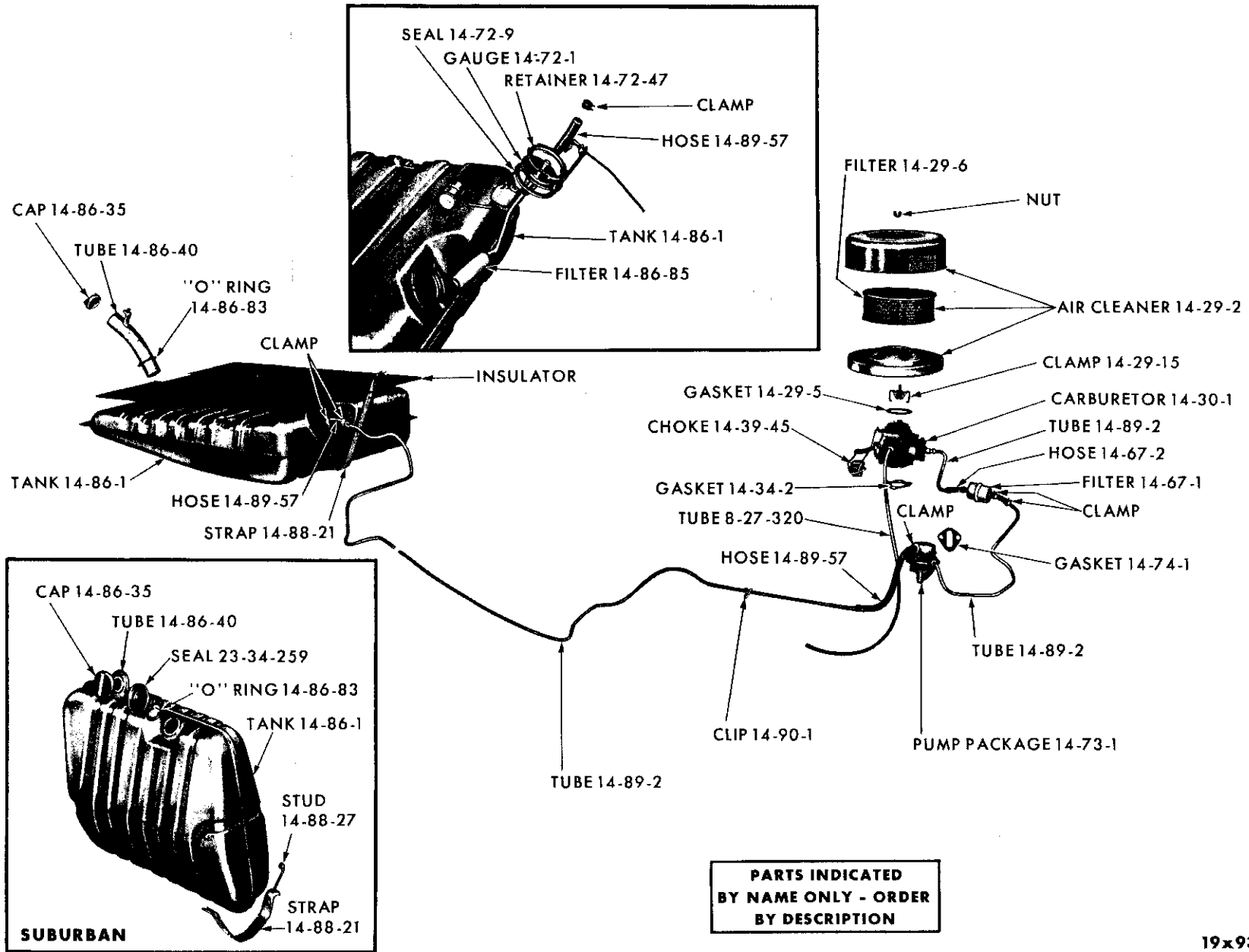
NOTES

PARTS INDICATED BY NAME ONLY - ORDER BY DESCRIPTION

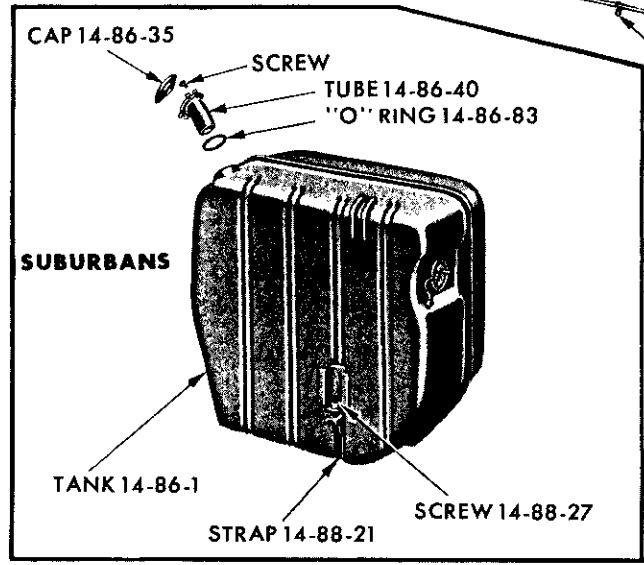
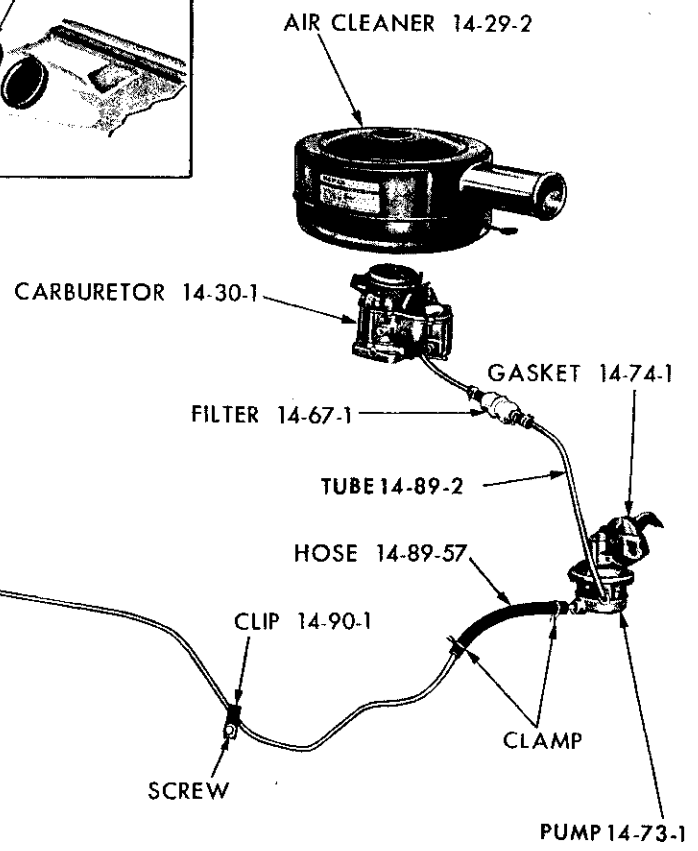
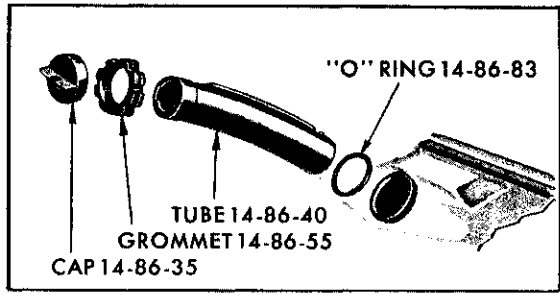
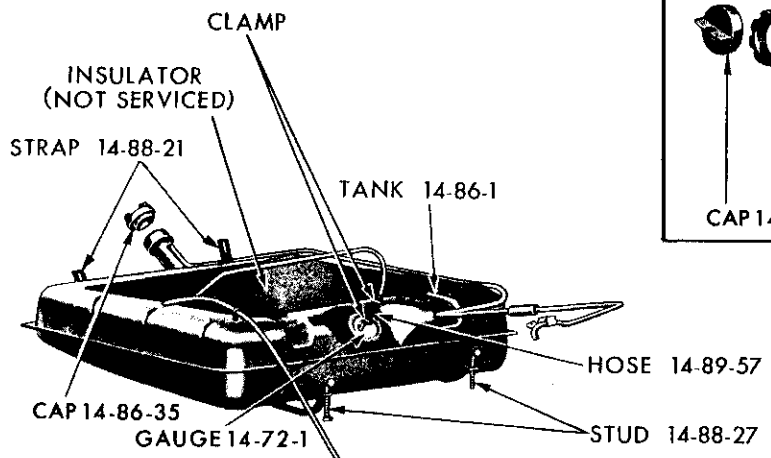


FUEL SYSTEM - VALIANT TV1 AND DART TL1

19x9689



FUEL SYSTEM (6 CYLINDER) - PLYMOUTH TP1 AND DODGE TD1



**PARTS INDICATED
BY NAME ONLY - ORDER
BY DESCRIPTION**

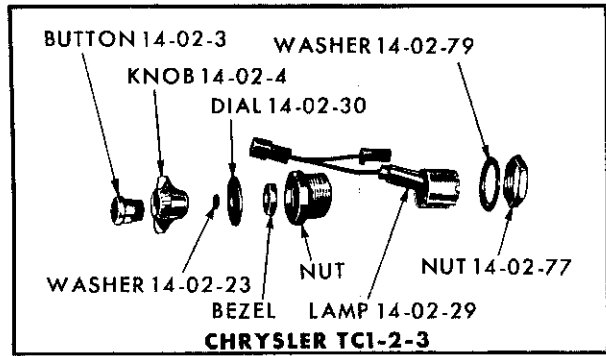
19x8321C

FUEL SYSTEM (V8 CYLINDER) - PLYMOUTH TP2, DODGE TD2, TA3, CHRYSLER TC1-2-3 AND IMPERIAL TY1

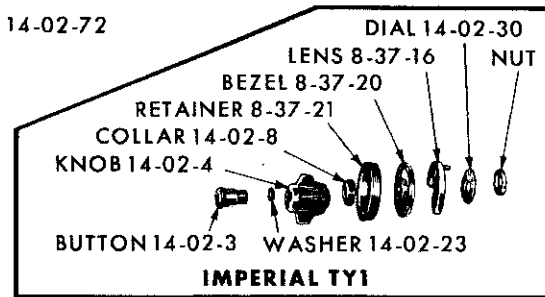
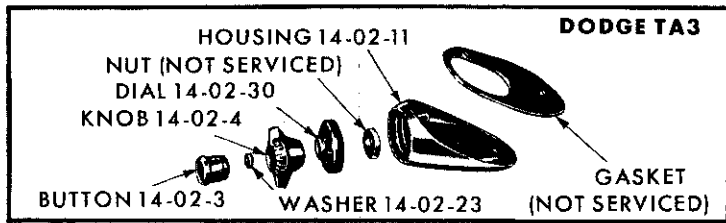
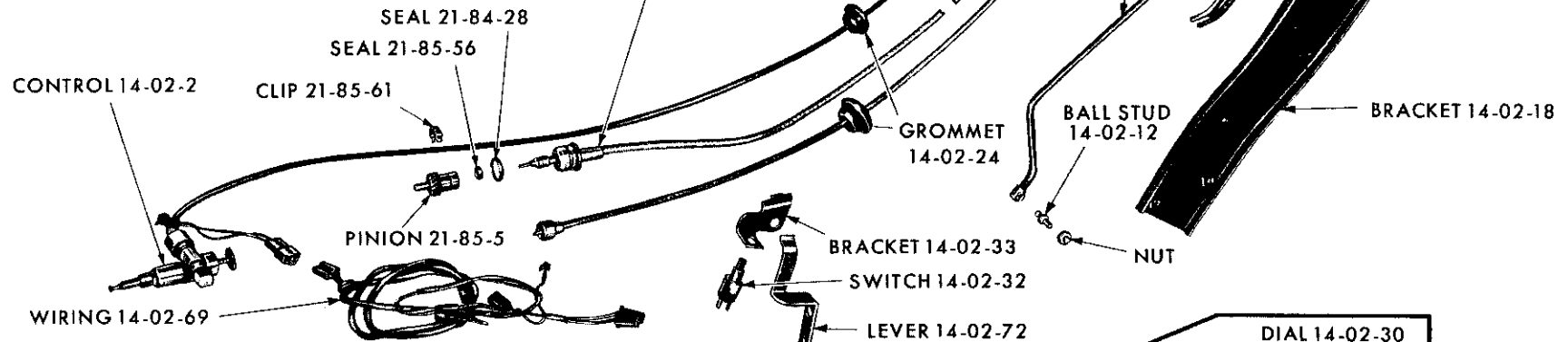
Jan. 25, 1963 Supersedes Dec. 14, 1962.

Page 14-4B

Printed in U.S.A.

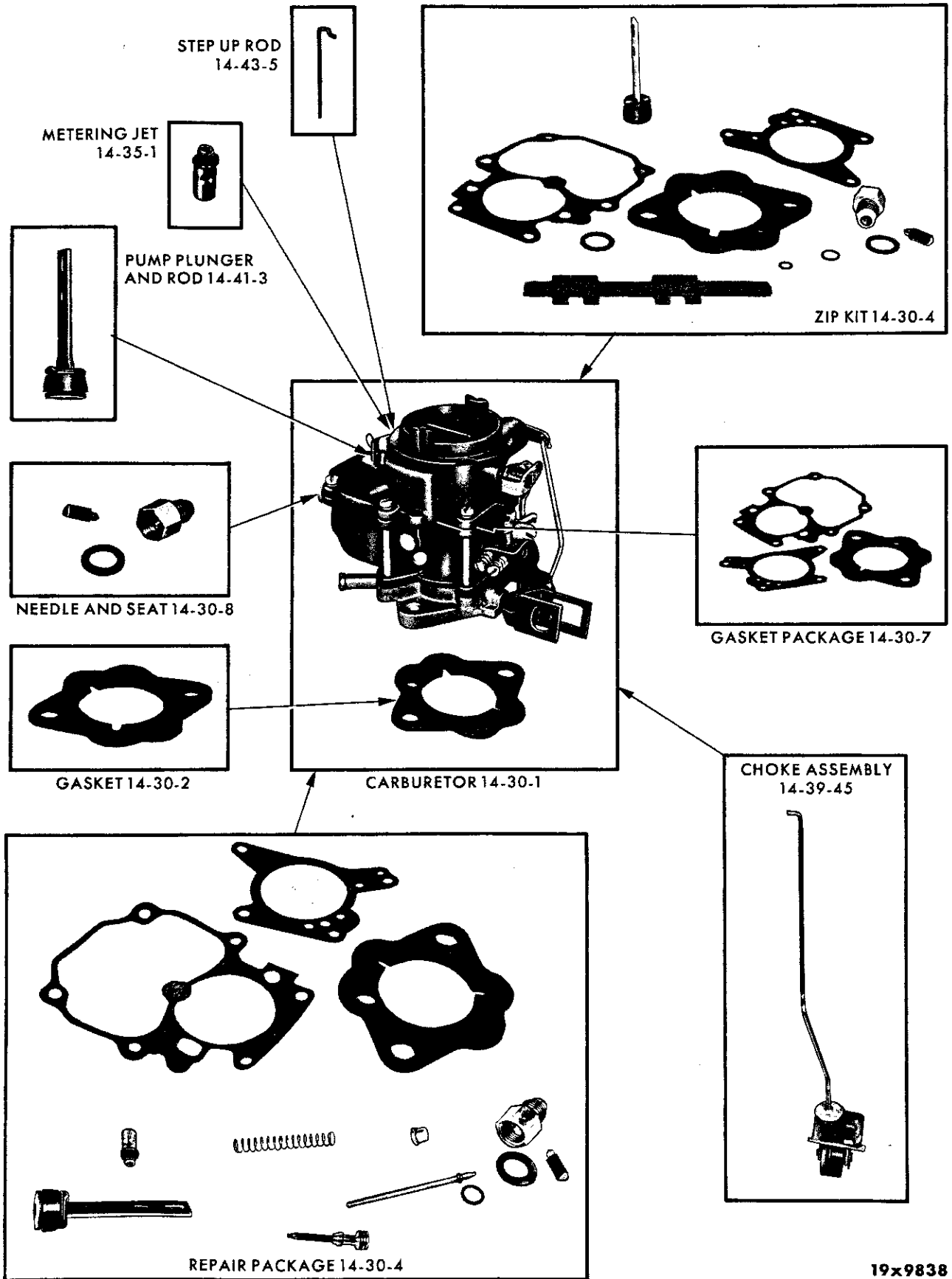


**PARTS INDICATED
BY NAME ONLY - ORDER
BY DESCRIPTION**



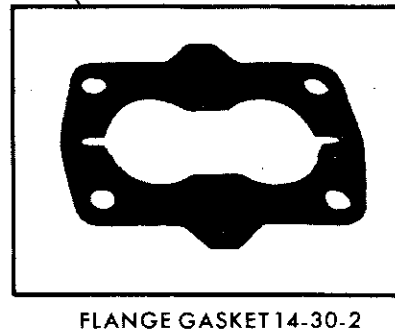
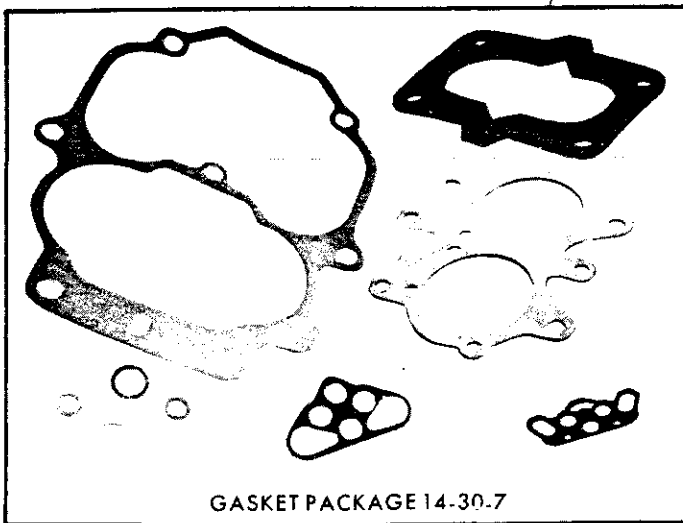
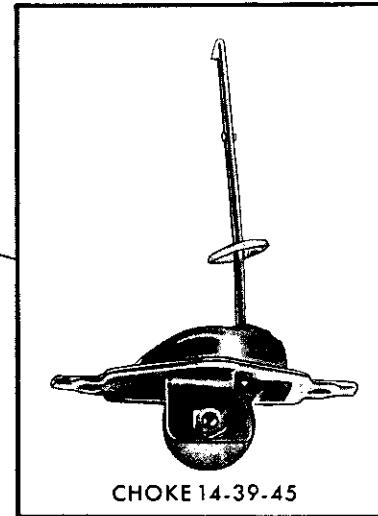
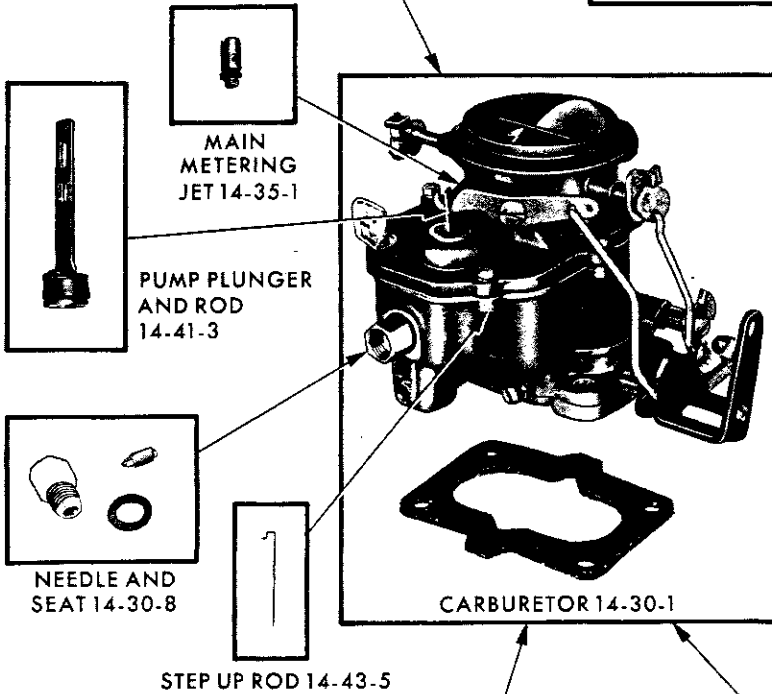
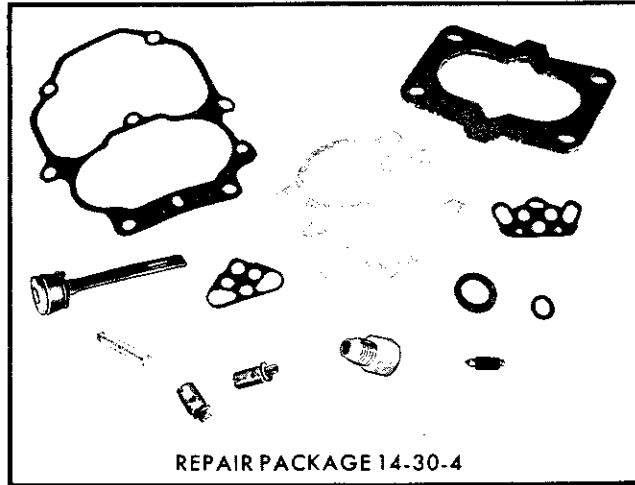
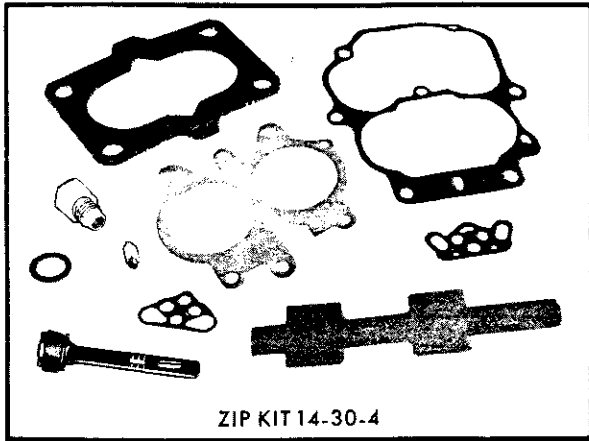
AUTO PILOT SYSTEM

19x9676



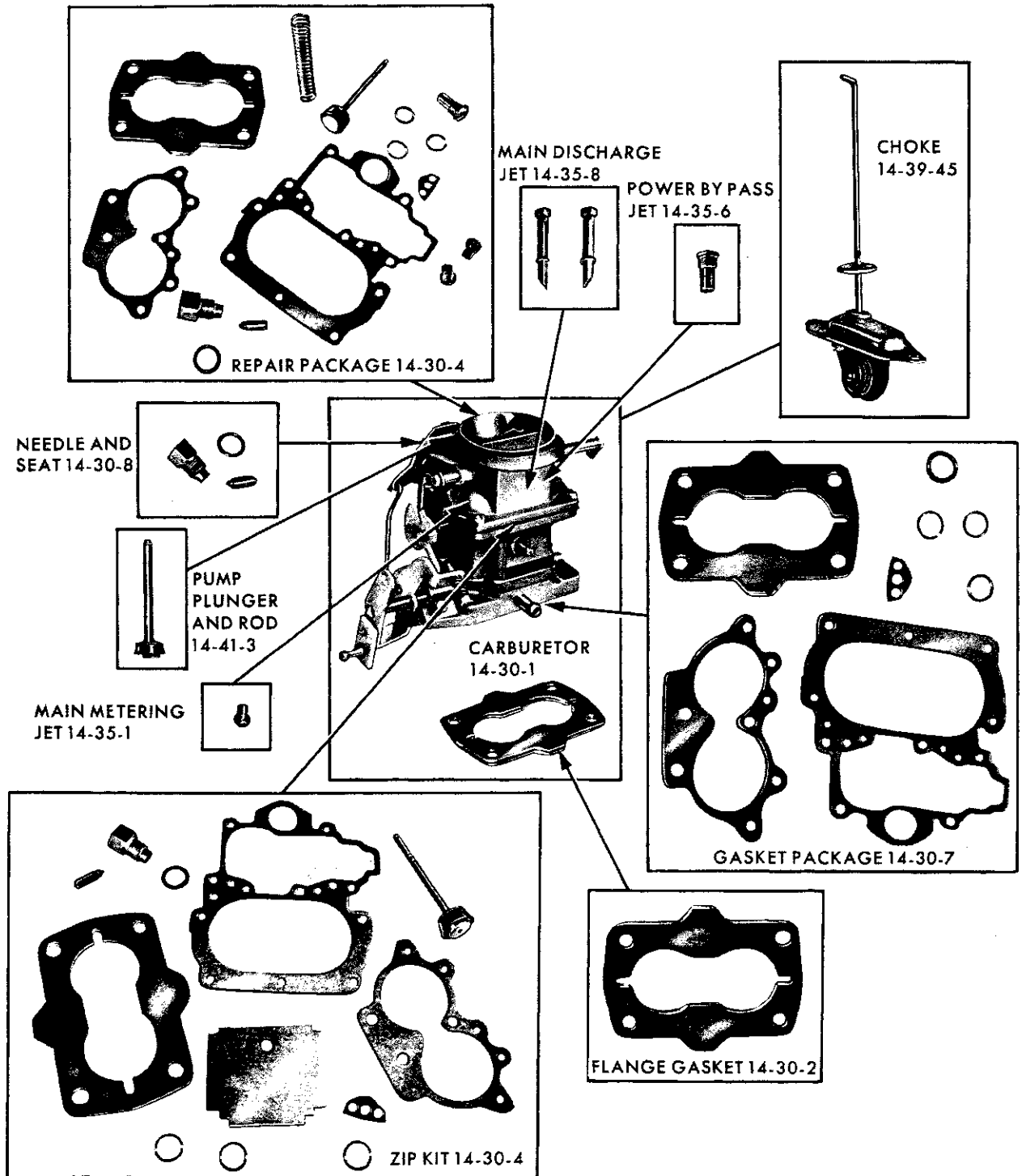
1 BARREL CARBURETOR, COMPONENTS AND PACKAGES -
CARTER 3462-S (CHRYSLER PART 2299 203)

19x9838



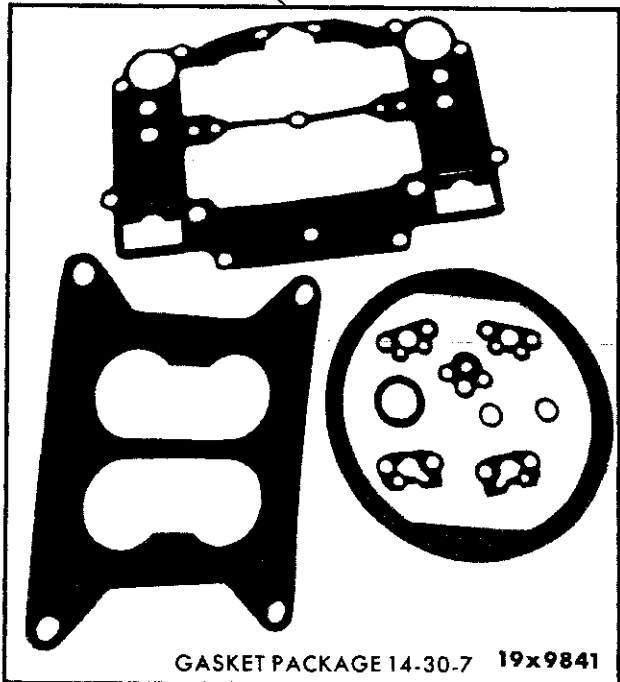
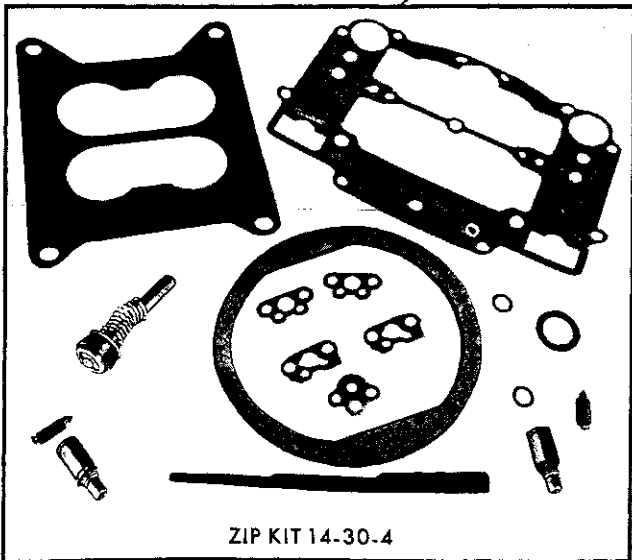
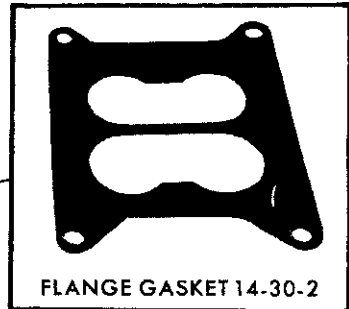
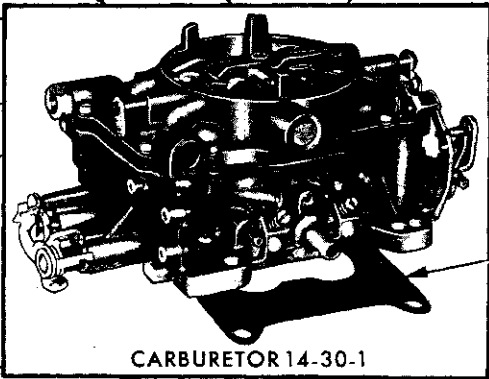
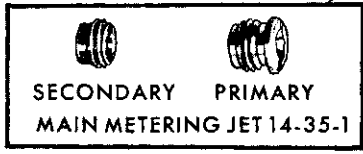
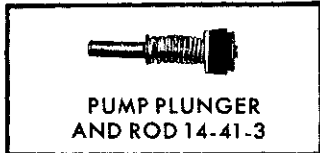
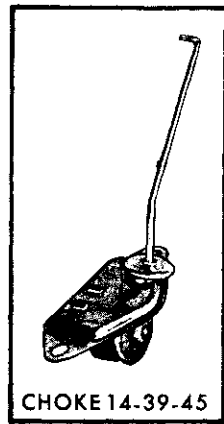
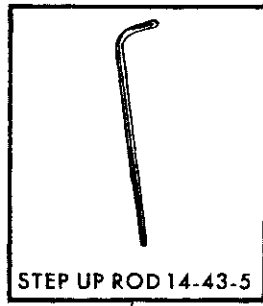
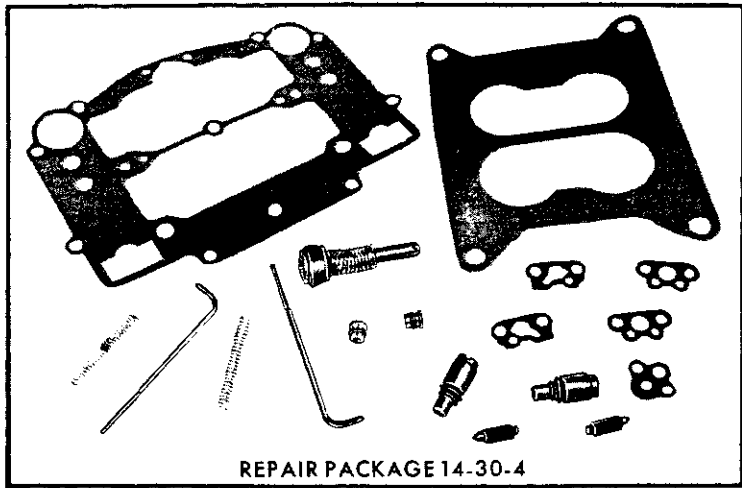
2 BARREL CARBURETOR, COMPONENTS AND PACKAGES - CARTER 3472-S (CHRYSLER PART 2402 508)

19x9840



19x9839

2 BARREL CARBURETOR, COMPONENTS AND PACKAGES -
BENDIX WW3-224 (CHRYSLER PART 2402 591)



4 BARREL CARBURETOR, COMPONENTS AND PACKAGES - CARTER 3437-S (CHRYSLER PART 2402 211)

CODE	PART NAME AND DESCRIPTION	CYL.	PER CAR	VALIANT DART	PLYMOUTH DODGE	CHRYSLER IMPERIAL
14-01-O ACCELERATOR PEDAL						
14-01-1	PEDAL, except TA3, TY1		1	E2463 799	2268 206	E2463 797
	TA3	8	1	-----	E2463 797	
	TY1	8	1	-----	-----	2128 664
	NUT		1	120 367	120 367	120 367
14-01-3	SHIELD, Pedal Lever, TC1 Police Car	8	1	-----	-----	2129 264
14-01-8	CLIP, Hinge Pin	6	1	1947 818		
14-01-12	PIN, Hinge	6	1	1947 817		
14-01-15	BRACKET, Pedal Hinge	6	1	1947 815		
	SCREW, w/WASHER	6	2	6022 777		
14-01-16	LEVER, Pedal, except TY1		1	-----	1947 311	1947 311
	TY1	8	1	-----	-----	2264 472
14-01-22	SEAL, Pedal Lever		1	-----	1947 415	1947 415
14-01-23	SCREW, Pedal Mounting		2	6025 097	2202 583	
14-01-25	PLATE, Pedal Floor Pan		1	2081 074	2255 583	
	Pedal Dash Panel		1	-----	2254 357	
14-01-30	BUSHING, Pedal		2	*1859 768	2406 334	
14-01-31	INSULATOR, Bracket	6	1	*1859 767		
14-02-O AUTOMATIC PILOT						
14-02-1	AUTOMATIC PILOT PACKAGE, TY1	8	1	-----	-----	2291 906
14-02-2	CONTROL, TA3, TC1, TC2, TC3	8	1	-----	2426 805	2426 805
	TY1	8	1	-----	-----	2426 806
14-02-3	BUTTON, Control Reset, TA3, TC1, TC2, TC3	8	1	-----	*1972 902	*1972 902
	TY1	8	1	-----	-----	2258 859
14-02-4	KNOB, Control, TA3, TC1, TC2, TC3	8	1	-----	1887 798	1887 798
	TY1	8	1	-----	-----	2258 858
14-02-6	ROD, Accelerator Shaft to Auto. Pilot, TA3	8	1	-----	2268 556	2268 556
14-02-8	COLLAR, Control Knob, TY1	8	1	-----	-----	2198 361
14-02-10	NUT, Brace Mounting, TA3	8	1	-----	2076 232	2076 232
14-02-11	HOUSING, Control, TA3	8	1	-----	2291 148	
14-02-12	BALL STUD, Accelerator Shaft Lever, TA3	8	1	-----	1858 936	1858 936
14-02-15	MECHANISM, Drive, TA3	8	1	-----	2426 280	2426 280
14-02-18	BRACKET, Mounting, TA3, TC1, TC2, TC3	8	1	-----	2123 513	2123 513
	TY1	8	1	-----	-----	2201 080
	BRACE, Mounting, TA3, TC1, TC2, TC3	8	1	-----	2123 515	2123 515
	TY1	8	1	-----	-----	2201 082
	SCREW, w/WASHER, Bracket	8	2	-----	6010 019	6010 019
	SCREW, w/WASHER, Brace to Fender Shield	8	4	-----	6012 068	6012 068
14-02-23	WASHER, Reset Button, TA3	8	1	-----	1972 906	1972 906
14-02-24	GROMMET, Control Cable, TA3	8	1	-----	2216 552	2216 552
14-02-26	NUT, Brake Switch Mounting, TA3	8	1	-----	1886 313	1886 313

★ Indicates use as required.

Numerals in parentheses () refer to notes.

Printed in U.S.A.

⊠ Indicates parts not listed in any previous parts book.

Prices and specifications subject to change without notice.

Jan. 3, 1964 Supersedes Sept. 4, 1962.

1963 PASSENGER CAR PARTS CATALOG

FUEL

CODE	PART NAME AND DESCRIPTION	C Y L.	PER CAR	VALIANT DART	PLYMOUTH DODGE	CHRYSLER IMPERIAL
14-02-0 AUTOMATIC PILOT - Cont'd						
14-02-27	LINK, Accelerator Shaft to Auto. Pilot Rod Adjusting, TA3	8	1	----	2268 557	2268 557
14-02-29	LAMP, Control, TA3	8	1	----	*2097 471	
	TC1, TC2, TC3	8	1	----	----	E2291 238
	TY1	8	1	----	----	2257 272
	NUT	8	1	----	6008 070	6008 070
14-02-30	DIAL, Control, TA3	8	1	----	1887 794	
	TY1	8	1	----	----	2197 156
14-02-32	SWITCH, Brake, TA3	8	1	----	1885 974	1885 974
14-02-33	BRACKET, Cutout Switch, TA3	8	1	----	2071 075	2071 075
14-02-34	CABLE, Drive Mechanism, TA3	8	1	----	2290 966	2290 966
14-02-39	CONTACT, Control Lamp, TA3, TC1, TC2, TC3 . .	8	1	----	*2256 966	*2256 966
14-02-40	SLEEVE, Control Cable, TA3	8	1	----	1881 965	1881 965
14-02-66	INSULATOR, Control Terminal, TA3	8	1	----	1843 226	1843 226
14-02-69	WIRING, Instrument Panel, TA3, TC1, TC2, TC3. .	8	1	----	2426 798	2291 384
	TY1	8	1	----	----	2291 951
14-02-70	SCREW, Control Dial, TA3, TC1, TC2, TC3	8	2	----	2256 702	2256 702
14-02-72	LEVER, Cutout Switch, TA3, TC1, TC2, TC3 . . .	8	1	----	2401 698	2401 698
	TY1	8	1	----	----	2071 076
14-02-73	NUT, Cutout Switch Lever, TA3	8	1	----	2122 266	2122 266
14-02-75	SHAFT, Cable Drive, TA3, TC1, TC2, TC3	8	1	----	1972 352	1972 352
	TY1	8	1	----	----	1887 657
14-02-79	WASHER, Control Bezel, except TY1	8	1	----	----	1534 697
14-06-0 ACCELERATOR PEDAL RETURN SPRING						
14-06-1	SPRING, TL1, TV1	6	1	2264 376		
	TL1, TV1, use w/Holley Carburetor	6	1	E2463 416		
	Except High Performance	8	1	----	2402 590	
	High Performance	8	1	----	2402 250	
	Maximum Performance	8	2	----	2265 027	
	TA3, TC1, TC2, TC3	8	1	----	2402 802	
	TC2, w/Ram Manifold	8	2	----	*2402 250	*2402 250
	TY1	8	1	----	----	1320 133
						1856 580
14-06-10	BRACKET	6	1	2128 776		
	w/o Governor	6	1	----	2264 686	
	w/Governor	6	1	----	2268 188	
	Except TA3	8	1	----	2402 315	
	TA3	8	1	----	1827 999	
	w/Power Package	8	1	----	2402 283	
	High Performance	8	1	----	2402 249	
	Maximum Performance	8	2	----	2402 470	
		8	1	----	----	1827 999
	w/Ram Manifold	8	2	----	----	2129 668
14-07-0 ACCELERATOR PEDAL TO ACCELERATOR SHAFT ROD						
14-07-1	ROD	6	1	2264 538		
	TA3, TC1, TC2, TC3	8	1	----	----	1859 396

★ Indicates use as required.

Numerals in parentheses () refer to notes.

Printed in U.S.A.

‡ Indicates parts not listed in any previous parts book.

Prices and specifications subject to change without notice.

Jan. 3, 1964 Supersedes Sept. 4, 1962.

* Indicates change or addition.

CODE	PART NAME AND DESCRIPTION	CYL.	PER CAR	VALIANT DART	PLYMOUTH DODGE	CHRYSLER IMPERIAL
14-07-0 ACCELERATOR PEDAL TO ACCELERATOR SHAFT ROD - Cont'd						
14-07-1	ROD - Cont'd					
	TY1	8	1	----	----	2264 474
	PIN, Cotter	6	1	103 373		
	WASHER	6	1	120 392		
14-07-15	SPRING, Accelerator Pedal to Accelerator Shaft Rod	6	1	2402 589		
14-11-0 ACCELERATOR SHAFT						
14-11-1	SHAFT, w/Std. Trans., w/o Governor	6	1	2203 237		
	w/Auto. Trans., w/o Governor	6	1	2264 552		
	w/Auto. Trans., w/Governor	6	1	2402 355		
	w/Std. or Auto. Trans.	6	1	----	2268 344	
	TA3, TC1, TC2, TC3	8	1	----	2264 333	2264 333
	w/Ram Manifold	8	1	----	----	2402 659
	TY1	8	1	----	----	1859 991
	PIN, Cotter		1	----	103 373	
14-11-3	CLIP, Accelerator Shaft to Bell Crank Rod	6	1	2120 878	----	666 790
	Bell Crank to Carburetor Rod, Upper	6	1	----	6008 144	
	Lower	6	1	----	1652 093	
	Bell Crank to Trans. Rod	6	1	----	667 774	667 774
14-11-4	SEAL, Shaft	6	1	2402 339		
14-11-9	ROD, Shaft to Bell Crank, w/Auto. Trans.	6	1	2402 384		
	Bell Crank to Trans., w/SLOT	6	1	2202 428		
	Bell Crank to Trans., w/STUD	6	1	2120 814		
	Bell Crank to Carburetor	6	1	----	2268 356	
	Bell Crank to Carburetor, Police and Taxi	6	1	----	*2406 763	
	Bell Crank to Trans., Police and Taxi	6	1	----	*2406 683	
	Bell Crank to Trans.	6	1	----	2268 358	
	Carburetor to Trans., TP2, TD2	8	1	----	2402 226	
	Bell Crank to Carburetor, Maximum Performance.	8	1	----	2402 468	
	Shaft to Carburetor, TA3, TC1, TC2, TC3, w/STUD	8	1	----	2120 968	2120 968
	Shaft to Bell Crank, TA3, TC1, TC2, TC3, w/STUD	8	1	----	2264 640	2264 640
	Bell Crank to Trans., TA3, TC1, TC2, TC3	8	1	----	2264 648	2264 648
	Shaft to Carburetor, TY1	8	1	----	----	2406 213
	Shaft to Carburetor, w/Auto. Pilot, TY1	8	1	----	----	1859 996
	Shaft to Carburetor, w/SLOT, TA3, TC1, TC2, TC3	8	1	----	2129 611	2129 611
	Shaft to Bell Crank, w/SLOT, TA3	8	1	----	2264 411	2264 411
	Bell Crank to Trans., Maximum Performance	8	1	----	2402 808	
	Shaft to Bell Crank, TY1, w/STUD	8	1	----	----	2264 413
	Bell Crank to Trans., TY1	8	1	----	----	2264 341
	Bell Crank to Carburetor, w/o Slot, w/Ram Manifold	8	1	----	----	2128 757
	Bell Crank to Carburetor, w/SLOT, w/Ram Manifold	8	1	----	----	2129 569
	Shaft to Throttle Shaft Lever, w/STUD, w/Ram Manifold	8	1	----	----	2121 159
	Shaft to Throttle Shaft Lever, w/SLOT, w/Ram Manifold	8	1	----	----	2129 611
	Shaft to Trans., w/Ram Manifold	8	1	----	----	2402 738
14-11-18	LINK, Bell Crank to Trans. Rod	6	1	2202 428		
	Shaft to Bell Crank, TA3	8	1	----	2264 411	2264 411
	Shaft to Carburetor, TA3	8	1	----	2129 611	2129 611
14-11-20	BRACKET, Shaft	6	1	2402 340		
	Shaft Body, TA3, TC1, TC2, TC3	8	1	----	2205 820	2205 820
	Shaft Engine, TA3, TC1, TC2, TC3	8	1	----	2264 800	2264 800

★ Indicates use as required.

☐ Indicates parts not listed in any previous parts book.

* Indicates change or addition.

Numerals in parentheses () refer to notes.

Prices and specifications subject to change without notice.

Jan. 3, 1964 Supersedes Sept. 4, 1962.

1963 PASSENGER CAR PARTS CATALOG

FUEL

CODE	PART NAME AND DESCRIPTION	CYL	PER CAR	VALIANT DART	PLYMOUTH DODGE	CHRYSLER IMPERIAL
14-11-O ACCELERATOR SHAFT - Cont'd						
14-11-20	BRACKET - Cont'd					
	Shaft Engine, w/Ram Manifold	8	1	----	----	2205 797
	TY1	8	1	----	----	1734 030
	SCREW		4	----	*6023 976	*6023 976
14-11-25	PLATE, Shaft Bracket Stud Retainer, TY1	8	1	----	----	1734 028
14-11-28	LEVER, Shaft, TY1		1	2264 539	----	1859 994
	Shaft Intermediate	6	1	2128 778	----	
14-11-30	INSULATOR, Shaft Sound		★	2128 347	1859 767	1859 767
14-11-33	BUSHING, Shaft Seal	6	1	2120 525		
	Shaft Engine Bracket, TA3	8	1	----	2264 801	2264 801
	Shaft Lever		1	----	1859 768	1859 768
	Engine Bell Crank, TA3	8	1	----	1859 768	1859 768
14-11-34	RING, Shaft Retaining, Except TY1	8	1	----	----	1936 051
14-11-39	ROLLER, Shaft, Plastic		1	----	2268 346	
14-11-48	SEAL, Shaft Bracket, TY1	8	1	----	----	1827 773
14-13-O THROTTLE LINKAGE BALL STUD						
14-13-1	BALL STUD, Accelerator Shaft Lever, TA3		1	2128 636	1858 936	1858 936
	Accelerator Shaft	6	1	2128 636		
	Carburetor Lever	8	1	----	2268 420	1858 936
	Accelerator Pedal Lever, TA3	8	1	----	2128 636	2128 636
	Engine Bell Crank, except TY1	8	1	----	2128 636	2128 636
14-13-3	CLIP, Ball Stud Retainer		★	2121 571	2121 571	2121 571
14-13-5	RETAINER, Ball Stud, Threaded		★	2268 367	2268 367	2268 367
	Bell Crank to Trans., Maximum Performance	8	1	----	E2402 915	
14-14-O THROTTLE CONTROL BELL CRANK						
14-14-1	BELL CRANK	6	1	2203 239		
	TC1, TC2, TC3, TA3	8	1	----	2264 646	2264 646
	TC2, w/Ram Manifold	8	1	----	----	2402 724
	TY1	8	1	----	----	2264 415
	TP2, TD2, Maximum Performance	8	1	----	2402 464	
14-14-3	SHAFT, Intake Manifold Throttle, w/Ram Manifold	8	1	----	----	2121 745
14-14-4	PLATE, Bell Crank Tapping	6	1	2121 694		
14-14-8	PIN, Bell Crank	6	1	2120 811		
	Bell Crank to Cable	8	1	----	2402 806	
14-14-12	BRACKET, Bell Crank	6	1	2203 240		
	w/Bell Crank	6	1	----	2402 246	
14-14-13	NUT, Bell Crank Bracket	6	1	----	2073 205	
14-14-20	STUD, Bell Crank	6	1	----	2402 214	
	TA3	8	1	----	2264 480	2264 480
	TP2, TD2, Maximum Performance	8	1	----	2402 466	
14-14-42	SCREW, Tapping Plate	6	3	2202 583		
14-14-47	BUSHING, Intake Manifold Throttle Shaft, w/Ram Manifold, TC2	8	2	----	----	1947 542

★ Indicates use as required.

Numerals in parentheses () refer to notes.

Printed in U.S.A.

⊔ Indicates parts not listed in any previous parts book.

Prices and specifications subject to change without notice.

September 4, 1962.

CODE	PART NAME AND DESCRIPTION	C Y L.	PER CAR	VALIANT DART	PLYMOUTH DODGE	CHRYSLER IMPERIAL
14-14-0 THROTTLE CONTROL BELL CRANK - Cont'd						
14-14-48	LEVER, Intake Manifold Throttle Shaft, w/Ram Manifold, TC2	8	1	----	----	1947 544
14-14-49	EXTENSION, Intake Manifold Throttle Shaft Lever, w/Ram Manifold, TC2	8	1	----	----	2206 030
14-14-56	BUSHING, Bell Crank, TA3	8	1	----	1859 768	1859 768
14-14-57	INSULATOR, Bell Crank, TA3	8	1	----	1859 767	1859 767
14-24-0 FAST IDLE CABLE						
14-24-1	CABLE, TC1		1	----	917 248	917 248
	NUT		1	----	124 939	124 939
	WASHER, Lock		1	----	138 498	138 498
14-24-4	COLLAR, Cable, TC1		1	----	2268 677	2268 677
14-24-5	PIN, Cable, TC1		1	----	2268 679	2268 679
14-24-9	SWIVEL, Cable, TC1	8	1	----	----	639 173
14-24-11	CLIP, Swivel, TC1	8	1	----	----	639 174
14-25-0 THROTTLE CONTROL CABLE						
14-25-5	CLIP, Cable		1	----	2402 210	
14-25-11	CABLE, Control	6	1	----	2268 348	
	TP1, TD, Taxi and Police	6	1	----	*2406 789	
	TP2, TD2, Maximum Performance	8	1	----	2268 349	
		8	1	----	2402 803	
14-25-12	PIN, Cable		1	----	2264 706	
	CLIP		1	----	6023 285	
14-25-13	RING, Cable Retainer		1	----	1884 405	
14-26-0 THROTTLE CONTROL MOUNTING BRACKET						
14-26-2	CLIP, Bracket	8	1	----	2264 741	
14-26-3	STUD, Bracket	8	1	----	2402 214	
	NUT	8	1	----	120 367	
14-26-6	BRACKET PACKAGE, Cable	6	1	----	*2448 746	
	TP2, TD2	8	1	----	2402 257	
	TP2, TD2, w/Power Package	8	1	----	2402 207	
	TP2, TD2, Maximum Performance	8	1	----	2402 804	
	TP2, TD2, High Performance	8	1	----	2402 252	
14-29-0 CARBURETOR AIR CLEANER						
14-29-2	AIR CLEANER, TL1, TV1, TP1, TD1, w/o Governor, Dry Type	6	1	2279 891	2279 891	
	TL1, TV1, TP1, TD1, w/o Governor, Oil Bath	6	1	2128 805	2128 805	
	TL1, TV1, TP1, TD1, w/Governor, Oil Bath	6	1	1859 750	1859 750	
	TL1, TV1, TP1, TD1, High Performance, w/o Governor, Dry Type	6	1	*2279 891	*2279 891	
	TP2, PD2	8	1	----	2264 610	
	TP2, TD2, High Performance and Power Package	8	1	----	2402 672	
	TP2, TD2, Maximum Performance	8	2	----	2421 370	
	TA3	8	1	----	2402 672	2402 672
	TC2-C300J	8	2	----	----	2120 633

★ Indicates use as required.

Numerals in parentheses () refer to notes.

Printed in U.S.A.

⊠ Indicates parts not listed in any previous parts book.

Prices and specifications subject to change without notice.

* Indicates change or addition.

Jan. 3, 1964 Supersedes Sept. 4, 1962.

1963 PASSENGER CAR PARTS CATALOG

FUEL

CODE	PART NAME AND DESCRIPTION	C Y L	PER CAR	VALIANT DART	PLYMOUTH DODGE	CHRYSLER IMPERIAL
14-29-O CARBURETOR AIR CLEANER - Cont'd						
14-29-3	GASKET, Oil Chamber, Upper, w/Oil Bath Cleaner	6	1	2128 879	2128 879	
	Lower	6	1	1821 144	1821 144	
	Air Cleaner Adapter, w/Oil Bath Cleaner	8	1	----	*2128 661	
14-29-4	GASKET, Cover	8	1	----	*2402 129	
14-29-5	GASKET, Air Cleaner to Carburetor	6	1	1947 797	1947 797	
	w/2 Barrel Carburetor	8	1	----	1326 847	
	w/4 Barrel Carburetor	8	1	----	1821 170	1821 170
14-29-6	FILTER	6	1	2206 376	2206 376	
	w/2 Barrel Carburetor	8	1	----	1739 547	*1946 923
	w/4 Barrel Carburetor	8	1	----	1946 923	1946 923
	w/High Performance	8	1	----	2402 677	2402 677
	TP2, TD2, Maximum Performance	8	2	----	1851 493	
	TC2-300J, w/2-4 Barrel Carburetors	8	2	----	----	2120 634
14-29-10	ADAPTER, Cleaner to Carburetor, w/Oil Bath Cleaner	6	1	2129 000	2129 000	
14-29-12	BRACKET, Steady, w/Oil Bath Cleaner	6	1	2129 562	2129 562	
14-29-15	CLAMP, w/Dry Cleaner	6	1	2129 597	2402 707	
	w/Oil Bath Cleaner	6	1	2264 545	2264 545	
14-29-33	STUD, Cleaner to Carburetor	8	1	----	1826 286	1826 286
14-29-44	SPACER, Steady Bracket	6	1	2129 856	2129 856	

14-30-O CARBURETOR

MODEL	USE WITH TRANSMISSION	MANUFACTURERS NAME	CARBURETOR STAMPED	PART NUMBER
14-30-1 CARBURETOR ASSEMBLIES				
TL1, TV1, w/170 cu. in. Eng., w/or w/o Governor, PACKAGE	STANDARD	Carter	3462S	*2299 203
TL1, TV1, w/170 cu. in. Eng., w/or w/o Governor, PACKAGE	AUTOMATIC	Carter	3463S	*2299 205
TL1, TV1, High Performance, w/225 cu. in. Eng., PACKAGE	ALL	Carter	3464S	*2299 205
TL1, TV1, w/170 cu. in. Eng., w/o Governor	STANDARD	Holley	R2533A	2402 501
TL1, TV1, w/170 cu. in. Eng., w/o Governor	AUTOMATIC	Holley	R2534A	2402 502
TL1, TV1, High Performance, w/ 225 cu. in. Eng.	ALL	Holley	R2535A	2402 503
TL1, TV1, Taxi, w/170 cu. in. Eng., w/Governor	ALL	Carter	3287S	2206 230
TP1, TD1, w/225 cu. in. Eng., w/or w/o Governor	ALL	Carter	3466S	2299 205
TP1, TD1, w/225 cu. in. Eng., w/o Governor	ALL	Holley	R2537A	2402 505
TP1, TD1, w/225 cu. in. Eng., w/o Governor	AUTOMATIC	Bendix	WA3-219	2402 507
TP1, TD1, Taxi, Police	ALL	Carter	3236S	*2206 228
TP2, TD2, w/318 cu. in. Eng., 2 Barrel	ALL	Carter	3472S	2402 508
TP2, TD2, w/318 cu. in. Eng., 2 Barrel	ALL	Bendix	WW3-224	2402 591

★ Indicates use as required.

Numerals in parentheses () refer to notes.

Printed in U.S.A.

⊠ Indicates parts not listed in any previous parts book.
September 4, 1962.

Prices and specifications subject to change without notice.

14-30-0 CARBURETOR - Cont'd

MODEL	USE WITH TRANSMISSION	MANUFACTURERS NAME	CARBURETOR STAMPED	PART NUMBER
14-30-1 CARBURETOR ASSEMBLIES - Cont'd TP2, TD2, w/Power Package, TD2P, w/361 cu. in. Eng., 2 Barrel TP2, TD2, High Performance w/383 cu. in. Eng., 4 Barrel TP2, TD2, Police Car, w/383 cu. in. Eng., 4 Barrel	AUTOMATIC	Carter	3475S	2402 511
	ALL	Carter	3437S	2402 211
	ALL	Carter	3437S	2402 211
TP2, TD2, w/426 cu. in. Eng., 2 - 4 Barrel TA3, w/361 cu. in. Eng., 2 Barrel TA3, w/383 cu. in. Eng., 2 Barrel TC1, w/361 cu. in. Eng., 2 Barrel TC1 Police Car, w/413 cu. in. Eng., 4 Barrel TC2, w/383 cu. in. Eng., 2 Barrel	ALL	Carter	3447S	2402 359
	ALL	Bendix	WWC3-221	2402 545
	ALL	Carter	3438S	2402 512
	ALL	Bendix	WWC3-221	2402 545
	ALL	Carter	3478S	2402 515
TC2, w/Power Package, w/413 cu. in. Eng., 4 Barrel TC2-C300J, w/413 cu. in. Eng., w/Ram Manifold, 2-4 Barrel TC3, TY1, w/413 cu. in. Eng., 4 Barrel	AUTOMATIC	Carter	3438S	2402 512
	ALL	Carter	3478S	2402 515
	ALL	Carter	3505S	2402 727
	AUTOMATIC	Carter	3256S	2205 766

NOTE: For further Carburetor Service Parts see the following Charts.

PART TYPE CODE	SERVICE PARTS	CARBURETOR ASSEMBLIES						
		2206 228 3236S	2206 230 3287S	2402 211 3437S	2402 492 3462S	2402 493 3463S	2402 494 3464S	2402 495 3465S
14-30-2	GASKET, Flange	2205 582	2205 582	2121 952	2205 582	2205 582	2205 582	2205 582
14-30-4	REPAIR PACKAGE	2240 471	2240 471	*2299 233	2299 207	2299 021	2299 211	2299 021
	ZIP KIT	2299 073	2299 073	2299 080	2299 073	2299 072	2299 072	2299 072
14-30-7	GASKET PACKAGE	2240 472	2240 472	2196 212	2240 472	2240 470	2240 470	2240 470
14-30-8	NEEDLE, w/SEAT, Float	2240 401	2240 401	2196 207	2240 401	2240 401	2240 401	2240 401
14-30-27	STRAINER, Fuel Inlet	-----	-----	1826 864	-----	-----	-----	-----
14-30-28	NUT, Fuel Inlet Strainer	-----	-----	1826 863	-----	-----	-----	-----
14-35-1	JET, Main Metering	1618 157	1618 157	-----	2299 251	2299 005	2299 005	2299 005
	Primary	-----	-----	2240 464	-----	-----	-----	-----
	Secondary	-----	-----	2084 166	-----	-----	-----	-----
14-39-45	CHOKE	2402 527	2402 527	2402 201	2402 526	2402 526	2402 526	2402 526
14-41-3	PLUNGER, w/ROD, Pump	2196 214	2196 214	1826 369	2196 214	2196 214	2196 214	2196 214
14-43-5	ROD, Step-Up	1631 502	1631 502	2299 187	2299 112	2299 208	2299 113	2299 208

★ Indicates use as required. Numerals in parentheses () refer to notes. Printed in U.S.A.
 □ Indicates parts not listed in any previous parts book. Prices and specifications subject to change without notice.
 * Indicates change or addition. Jan. 3, 1964 Supersedes Sept. 4, 1962.

14-30-0 CARBURETOR - Cont'd

NOTE: For further Carburetor Service Parts see the following Charts.

PART TYPE CODE		CARBURETOR ASSEMBLIES						
		2402 496 3466S	2402 497 3468S	2402 501 R2533A	2402 502 R2534A	2402 503 R2535A	2402 504 R2536A	2402 505 R2537A
14-30-2	GASKET, Flange	2205 582	2205 582	2205 582	2205 582	2205 582	2205 582	2205 582
14-30-4	REPAIR PACKAGE	2299 211	2299 021	2299 036	2299 036	2299 036	2299 036	2299 036
	ZIP KIT	2299 072	2299 072	-----	-----	-----	-----	-----
14-30-7	GASKET PACKAGE	2240 470	2240 470	2299 037	2299 037	2299 037	2299 037	2299 037
14-30-8	NEEDLE, w/SEAT, Float	2240 401	2240 401	2299 042	2299 042	2299 042	2299 042	2299 042
14-35-1	JET, Main Metering	2299 005	2299 005	2299 248	2299 239	2299 242	2299 248	2299 245
14-35-33	STEM, Economizer	-----	-----	2299 040	2299 040	2299 040	2299 040	2299 040
14-35-39	WELL, Main	-----	-----	2299 241	2299 238	2299 241	2299 241	2299 244
14-39-45	CHOKE	*2406 764	*2406 764	2402 528	2402 528	2402 528	2402 528	2402 528
14-41-3	PLUNGER, w/ROD, Pump	2196 214	2196 214	2299 038	2299 038	2299 038	2299 038	2299 038
14-43-5	ROD, Step-Up	2299 113	2299 208	-----	-----	-----	-----	-----

NOTE: For further Carburetor Service Parts see the following Charts.

PART TYPE CODE	SERVICE PARTS	CARBURETOR ASSEMBLIES						
		2402 591 WW3-224	2402 506 R2538A	2402 507 WA3-219	2402 508 3472S	2402 509 3473S	2402 511 3475S	2402 512 3476S
14-30-2	GASKET, Flange	*2264 193	2205 582	2205 582	1634 701	1634 701	2264 193	2264 193
14-30-4	REPAIR PACKAGE	2299 255	2299 036	2299 278	2299 219	2299 219	-----	2299 226
	REPAIR PACKAGE, use w/3475S, 3475SA, 3475SB	-----	-----	-----	-----	-----	*2299 226	-----
	Use w/3475SC	-----	-----	-----	-----	-----	*2299 195	-----
	ZIP KIT or Minor REPAIR KIT	2299 083	-----	2299 280	2299 220	2299 220	-----	2299 074
	ZIP KIT, use w/3475S, 3475SA, 3475SB	-----	-----	-----	-----	-----	*2299 074	-----
	Use w/3475SC	-----	-----	-----	-----	-----	*2299 197	-----
14-30-7	GASKET PACKAGE	2299 163	2299 037	2299 279	1826 511	1826 511	-----	2299 227
	GASKET PACKAGE, use w/ 3475S, 3475SA, 3475SB	-----	-----	-----	-----	-----	*2299 227	-----
	Use w/3475SC	-----	-----	-----	-----	-----	*2299 196	-----
14-30-8	NEEDLE, w/SEAT, Float	2240 436	2299 042	2240 436	2240 410	2240 410	2240 410	2240 410
14-35-1	JET, Main Metering	2299 254	2299 041	2299 297	1618 220	1618 220	-----	2240 485
	JET, Main Metering, use w/ 3475S, 3475SA, 3475SB	-----	-----	-----	-----	-----	*2299 194	-----
	Use w/3475SC	-----	-----	-----	-----	-----	*2240 448	-----
14-35-6	JET, Power By-Pass	2299 253	-----	2299 276	-----	-----	-----	-----
14-35-8	JET, Main Discharge	1631 353	-----	2299 275	-----	-----	-----	-----
14-35-33	STEM, Economizer	-----	2299 040	-----	-----	-----	-----	-----
14-35-39	WELL, Main	-----	2299 039	-----	-----	-----	-----	-----
14-39-45	CHOKE	1852 020	2402 528	2463 271	1737 780	1737 780	2463 159	2463 159
14-41-3	PLUNGER, w/ROD, Pump	2084 733	2299 038	2299 274	2299 217	2299 217	1826 607	1826 607

* Indicates use as required.

⊠ Indicates parts not listed in any previous parts book.

Numerals in parentheses () refer to notes.

Prices and specifications subject to change without notice.

Printed in U.S.A.

* Indicates change or addition.

14-30-O CARBURETOR - Cont'd

NOTE: For further Carburetor Service Parts see the following Charts.

CARBURETOR ASSEMBLIES

PART TYPE CODE	SERVICE PARTS	2402 591 WW3-224	2402 506 R2538A	2402 507 WA3-219	2402 508 3472S	2402 509 3473S	2402 511 3475S	2402 512 3476S
14-43-5	ROD, Step-Up	-----	-----	-----	2299 218	2299 222	-----	2299 224
	ROD, Step-Up, use w/3475S, 3475SA, 3475SB	-----	-----	-----	-----	-----	*2299 116	-----
	Use w/3475SC	-----	-----	-----	-----	-----	*2299 115	-----

NOTE: For further Carburetor Service Parts see the following Charts.

CARBURETOR ASSEMBLIES

PART TYPE CODE	SERVICE PARTS	2402 359 3447S	2402 515 3478S	2402 541 WW3-222	2402 542 WW3-223	2402 545 WVC3-221	2402 727 3505S	2205 766 3256S	*2463 977 3705S
14-30-2	GASKET, Flange	1947 810	2121 952	1634 701	1634 701	2264 193	1947 810	2121 952	*2465 063
14-30-4	REPAIR PACKAGE	2299 181	2299 233	2299 255	2299 264	2299 258	2299 235	2299 186	*2495 950
	ZIP KIT	2299 184	2299 080	2299 083	2299 083	2299 260	2299 184	2299 080	*2495 952
14-30-7	GASKET PACKAGE	2299 182	2196 212	2299 163	2299 163	2299 259	2299 182	2196 212	*2495 951
14-30-8	NEEDLE, w/SEAT, Float	2196 207	2196 207	2240 436	2240 436	2240 436	2196 207	2196 207	*2196 207
14-30-27	STRAINER, Fuel Inlet	1826 864	1826 864	-----	-----	-----	1826 353	1826 864	-----
14-30-28	NUT, Inlet Strainer	1826 863	1826 863	-----	-----	-----	1826 863	1826 863	-----
14-35-1	JET, Main Metering	-----	-----	2299 254	2299 263	2299 257	-----	-----	-----
	Primary	-----	2240 464	-----	-----	-----	1400 857	2240 464	*2448 999
	Secondary	-----	2299 231	-----	-----	-----	-----	1676 692	*1631 356
14-35-6	JET, Power By-Pass	-----	-----	2299 253	2299 262	2275 262	-----	-----	-----
14-35-8	JET, Main Discharge	-----	-----	1631 353	1631 353	-----	-----	-----	-----
14-39-45	CHOKE	Manual	2402 201	1852 020	1852 020	1947 842	Manual	2264 580	*Manual
14-41-3	PLUNGER, w/Rod, Pump	1826 369	1826 369	2084 733	2084 733	2084 730	1826 369	1826 369	*2299 114
14-43-5	ROD, Step-Up	1826 861	2299 230	-----	-----	-----	2084 179	2240 473	*2448 998

CODE	PART NAME AND DESCRIPTION	C Y L.	PER CAR	VALIANT DART	PLYMOUTH DODGE	CHRYSLER IMPERIAL
------	---------------------------	--------------	------------	-----------------	-------------------	----------------------

14-50-O CARBURETOR ANTI-STALL DIAPHRAGM

14-50-25	DIAPHRAGM, w/BRACKET, TC2-300J, w/Ram Manifold	8	1	-----	-----	2128 762
	SCREW	8	1	-----	-----	180 016
	WASHER, Lock	8	1	-----	-----	120 380

★ Indicates use as required. Numerals in parentheses () refer to notes. Printed in U.S.A.
 □ Indicates parts not listed in any previous parts book. Prices and specifications subject to change without notice.
 * Indicates change or addition. Jan. 3, 1964 Supersedes Jan. 25, 1963.

1963 PASSENGER CAR PARTS CATALOG

FUEL

CODE	PART NAME AND DESCRIPTION	CYL.	PER CAR	VALIANT DART	PLYMOUTH DODGE	CHRYSLER IMPERIAL
14-63-O CHOKE CONTROL CABLE						
14-63-1	CABLE, TC2-300J	8	1	----	----	2402 883
	TP2, TD2, Maximum Performance	8	1	----	2402 883	
	NUT	8	1	----	124 934	124 934
	WASHER, Lock	8	1	----	135 629	135 629
14-63-19	GROMMET, Cable, TC2-300J	8	1	----	----	2216 552
	TP2, TD2, Maximum Performance	8	1	----	2216 552	
14-63-24	KNOB, Control Cable, TC2-300J	8	1	----	----	2402 885
	TP2, TD2, Maximum Performance	8	1	----	2402 885	

14-65-O AUTOMATIC CHOKE TO CARBURETOR ROD CLIP

14-65-4	CLIP, Stamped D-L		★	----	1639 182	1639 182
	Stamped D-R		★	1738 635	1738 635	1738 635

14-67-O FUEL FILTER

14-67-1	FILTER		1	2084 258	2084 258	2084 258
14-67-2	HOSE, Filter to Carburetor		★	1739 230	1739 230	1739 230
	CLAMP		★	274 461	274 461	274 461
14-67-29	TUBE, Fuel Pump to Fuel Filter Hose, TP2, TD2 w/361, 383 cu. in. Eng., w/2 Barrel Carb.	8	1	----	*2406 569	*2406 569
	Fuel Filter Hose to Carburetor, w/2 Barrel Carb., w/361 or 383 cu. in. Eng., TD2	8	1	----	*2406 572	
	Fuel Filter Hose to Carb., w/Bendix 2 Barrel Carb., w/361 or 383 cu. in. Eng., TD2	8	1	----	*2406 573	

14-68-O GOVERNOR

NOTE: To insure against delay in shipment of Governor DO NOT send orders to Chrysler Corporation. Enter orders direct to the following: Handy Division of King-Seeley Corporation, Ann Arbor, Michigan, U.S.A.

14-68-3	GASKET, Governor	6	1	2205 858	2205 858	
14-68-5	CONNECTOR, Vacuum Control Tube	6	1	2206 146	2206 146	
14-68-8	SPACER, Governor to Carburetor, w/Closed Vent. w/o Closed Vent	6	1	2205 857 1615 836	2205 857 1615 836	

14-72-O FUEL TANK GAUGE

14-72-1	GAUGE	6	1	2421 493		
	Except Sub.		1	----	2275 589	2240 547
	Sub.		1	----	2275 588	2240 548
	Except Sub., TA3 (880)	8	1	----	2240 547	
	Sub., TA3 (880)	8	1	----	2240 548	
14-72-5	CLIP, Gauge Grounding		1	2258 412	2258 412	2258 412
14-72-9	SEAL, Gauge		1	1948 757	1948 757	1948 757
14-72-12	PLUG, Gauge Cable, Sub., TA3	8	★	----	2093 981	2093 981
14-72-33	CABLE, w/TERMINAL and INSULATOR, Gauge		1	2257 444	2257 444	2257 444
14-72-47	RETAINER, Gauge		1	1730 095	1730 095	1730 095

★ Indicates use as required. Numerals in parentheses () refer to notes. Printed in U.S.A.
 ☐ Indicates parts not listed in any previous parts book. Prices and specifications subject to change without notice.
 Jan. 3, 1964 Supersedes Sept. 4, 1962. * Indicates change or addition.

CODE	PART NAME AND DESCRIPTION	C Y L.	PER CAR	VALIANT DART	PLYMOUTH DODGE	CHRYSLER IMPERIAL
14-73-O FUEL PUMP						
14-73-1	PUMP PACKAGE, w/170 cu. in. Eng.	6	1	*2084 859		
	Use w/225 cu. in. Eng.	6	1	*2279 914	*2279 914	
	TP2, TD2, w/o Air Cond.	8	1	----	1843 287	
	TP2, TD2, w/Air Cond.	8	1	----	2279 901	
	TP2, TD2, High Performance	8	1	----	2275 573	
	TP2, TD2, Maximum Performance	8	1	----	2421 466	
	TA3, TC1, TC2, TC3, TY1	8	1	----	2275 573	2275 573
	SCREW		2	6023 548	6023 548	6023 548
14-74-O FUEL PUMP MOUNTING GASKET						
14-74-1	GASKET		1	1400 185	1400 185	1400 185
14-77-O FUEL PUMP PUSH ROD						
14-77-17	ROD	8	1	----	1737 745	1737 745
14-85-O CARBURETOR FUEL LINE TEE						
14-85-31	TEE, w/Ram Manifold	8	1	----	----	2129 121
14-85-33	ADAPTER, Tee, w/Ram Manifold	8	1	----	----	862 072
14-86-O FUEL TANK						
14-86-1	TANK	6	1	2203 439		
	Except Sub.		1	----	2409 323	
	Except Sub., TA3, TC1, TC2, TC3	8	1	----	2203 432	2203 432
	Sub., TA3, TC1, TC2	8	1	----	1944 200	1944 200
	Sub., except TA3		1	----	2074 005	
	TY1	8	1	----	----	2123 623
14-86-13	PLUG, Drain		1	----	1739 194	1739 194
14-86-20	SPACER, Fuel Tank Wheelhouse, Sub., TA3	8	1	----	1960 602	1960 602
14-86-24	SEAL, Drain Plug		1	----	1739 196	1739 196
14-86-35	CAP, Filler Tube	6	1	2074 054		
	Except Sub.		1	----	2203 435	2203 435
	Sub., except TA3		1	----	2074 054	2240 235
	Sub., TA3	8	1	----	2240 235	
14-86-40	TUBE, Filler, except Sub.		1	2203 452	2203 427	
	Sub., except TA3		1	2203 426	2074 017	2203 429
	Sub., TA3	8	1	----	2203 429	
	TY1	8	1	----	----	2208 521
14-86-42	GASKET, Filler Tube Cam	6	1	2073 931		
14-86-55	GROMMET, Filler Tube, TY1	8	1	*2203 473	----	1948 741
14-86-57	HOSE, Vent Tube, except Sub.		1	1828 456	1828 456	1828 456
	Sub.	6	1	2074 063		
14-86-83	"O" RING, Filler Tube	6	1	2073 938		
	Except Sub.		1	----	1730 087	1730 087
	Sub.		1	----	2073 938	2073 938
14-86-85	FILTER, Inside of Tank		1	1670 694	1670 694	1670 694
14-87-O FUEL TANK STONE DEFLECTOR						
14-87-2	DEFLECTOR, Sub., except TA3		1	----	2217 480	
	Sub., TA3	8	1	----	1961 353	1961 353

★ Indicates use as required. Numerals in parentheses () refer to notes. Printed in U.S.A.
 ☐ Indicates parts not listed in any previous parts book. Prices and specifications subject to change without notice.
 * Indicates change or addition. Jan. 3, 1964 Supersedes Sept. 4, 1962.

1963 PASSENGER CAR PARTS CATALOG

FUEL

CODE	PART NAME AND DESCRIPTION	C Y L	P E R C A R	VALIANT DART	PLYMOUTH DODGE	CHRYSLER IMPERIAL
14-88-O FUEL TANK SUPPORT						
14-88-8	BRACKET, Support Strap, Sub., except TA3		1	----	2251 722	
	Support Strap, Inner, Sub., TA3	8	1	----	1878 264	*1878 264
	Support Strap, Outer, Sub., TA3	8	1	----	1878 263	1878 263
14-88-21	STRAP	6	1	2203 430		
	Except Sub.		1	----	2074 036	
	Except Sub., TA3, TC1, TC2, TC3	8	2	----	1944 194	1944 194
	Sub., except TA3		1	----	2074 015	
	Sub., TA3	8	1	----	1944 203	1944 203
	TY1	8	2	----	----	1944 177
14-88-27	STUD, Strap	6	1	1671 610		
	Except Sub., TP1, TP2, TD1, TD2		1	----	2074 032	
	Except Sub., TA3, TC1, TC2, TC3	8	2	----	1944 171	1944 171
	Sub.		1	----	1671 610	
	TY1	8	1	----	----	1671 610
	NUT		*	6023 397	6023 397	6023 397
14-88-36	REINFORCEMENT, Rear Floor Pan Fuel Tank, TA3, TC1, TC2, TC3, except Sub.	8	2	----	1878 169	1878 169
14-89-O FUEL LINE TUBE						
14-89-2	TUBING, 25 Ft. Roll, 5/16" O.D.		1	1843 253	1843 253	1843 253
14-89-57	HOSE, Tube		2	1739 230	1739 230	1739 230
	CLAMP		*	274 461	274 461	274 461
14-90-O FUEL LINE TUBE CLIP						
14-90-1	CLIP, except TY1		*	2123 341	2123 341	2123 341
	TY1	8	*	----	----	1119 423

NOTES

☆ Indicates use as required. Numerals in parentheses () refer to notes. Printed in U.S.A.
 ☐ Indicates parts not listed in any previous parts book. Prices and specifications subject to change without notice.
 Jan. 3, 1964 Supersedes Sept. 4, 1962. Page 14-16 * Indicates change or addition.