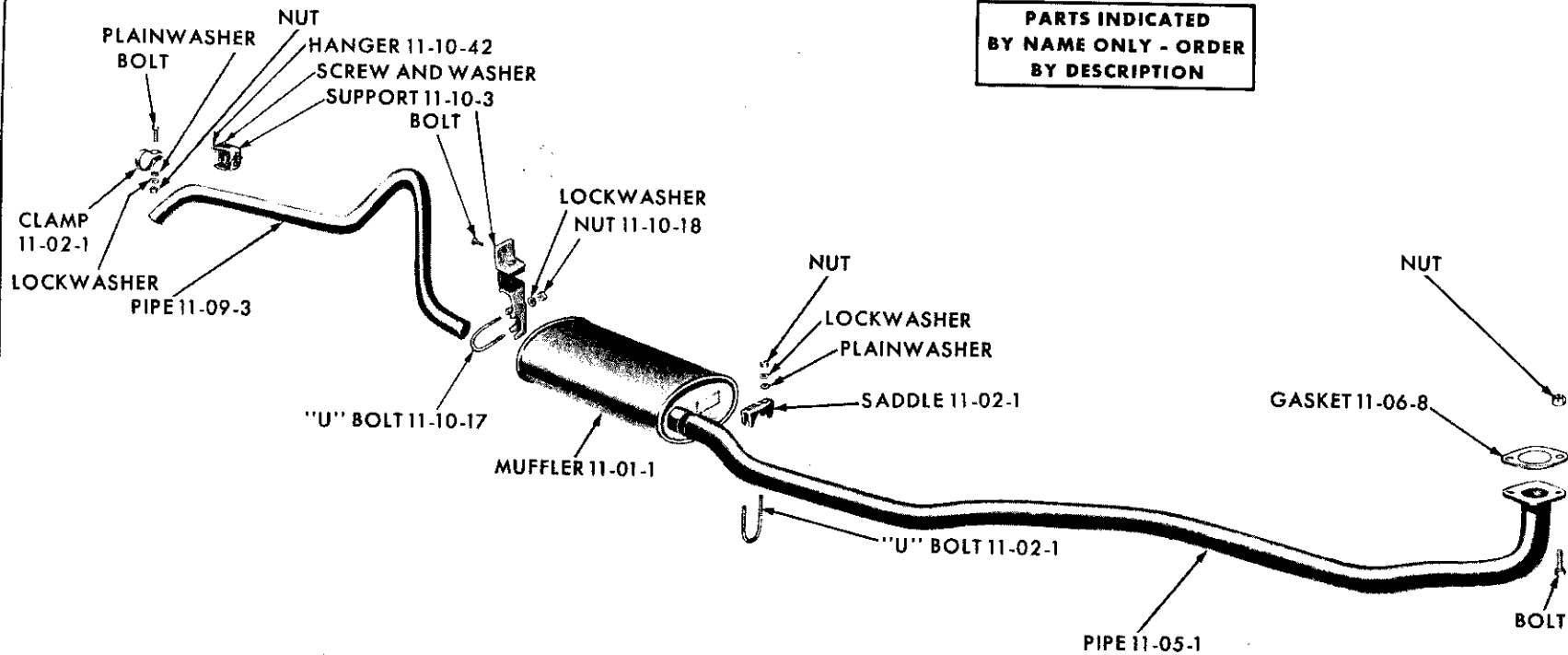
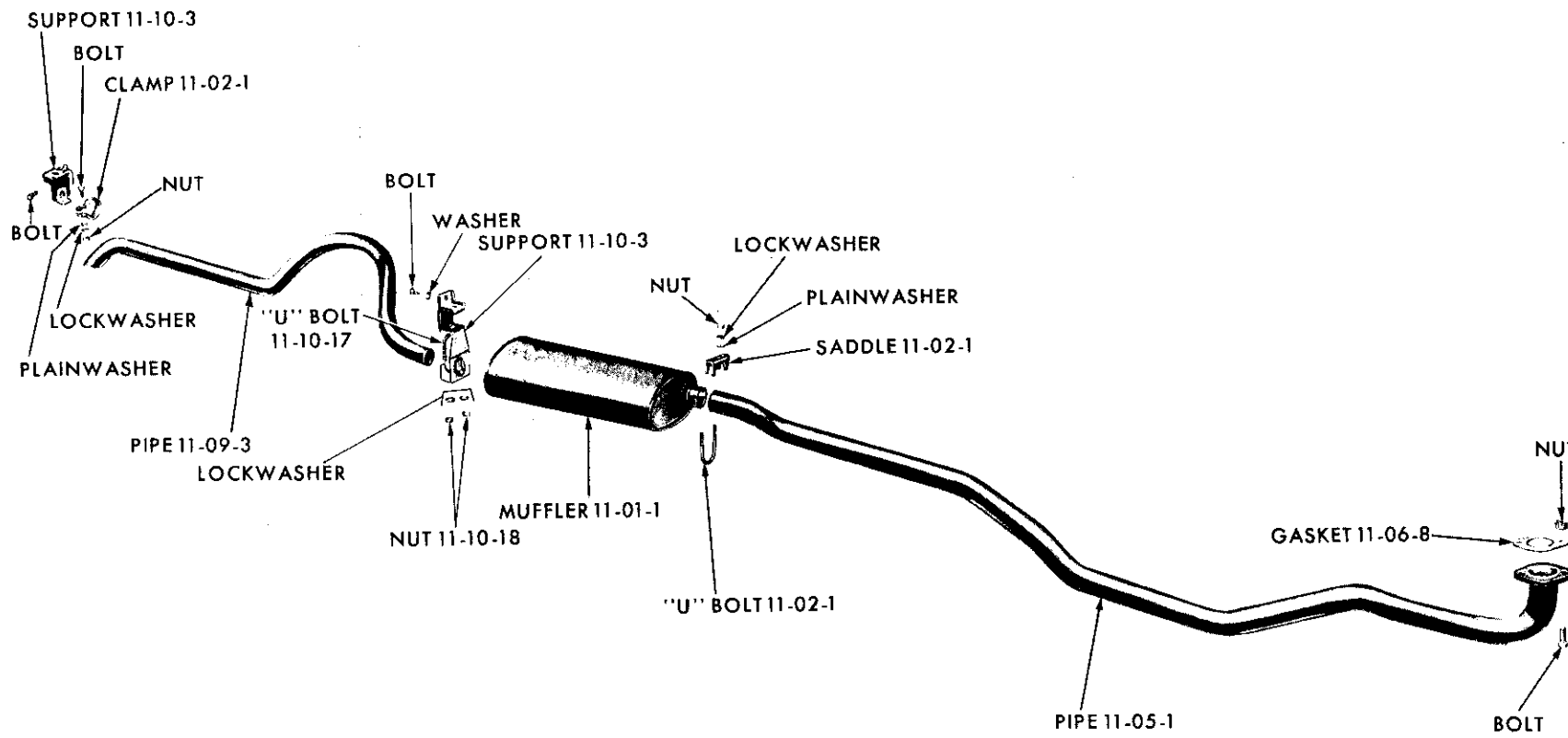


GROUP 11 - EXHAUST



19x8748C

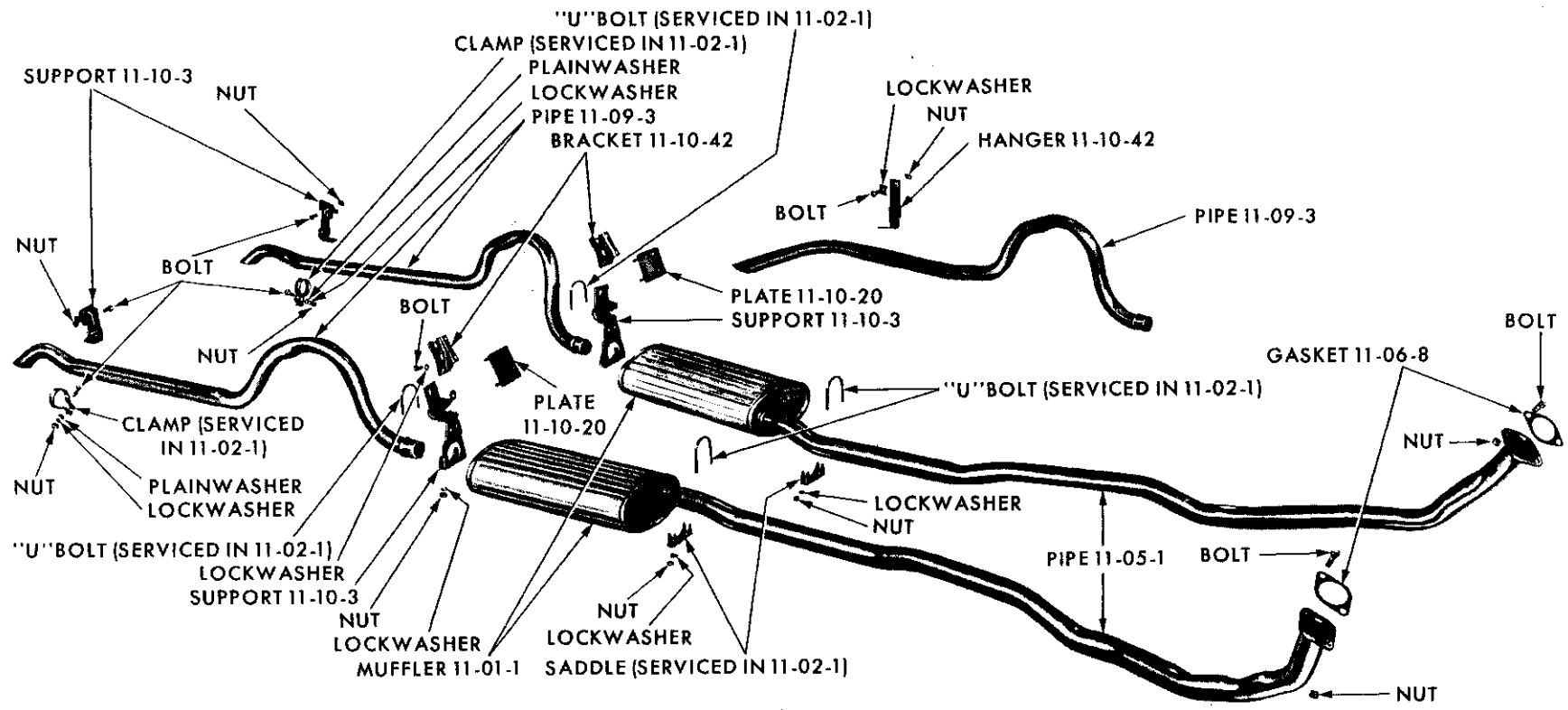
EXHAUST SYSTEM - VALIANT TV1 AND DART TL1



**PARTS INDICATED
BY NAME ONLY - ORDER
BY DESCRIPTION**

19x8644C

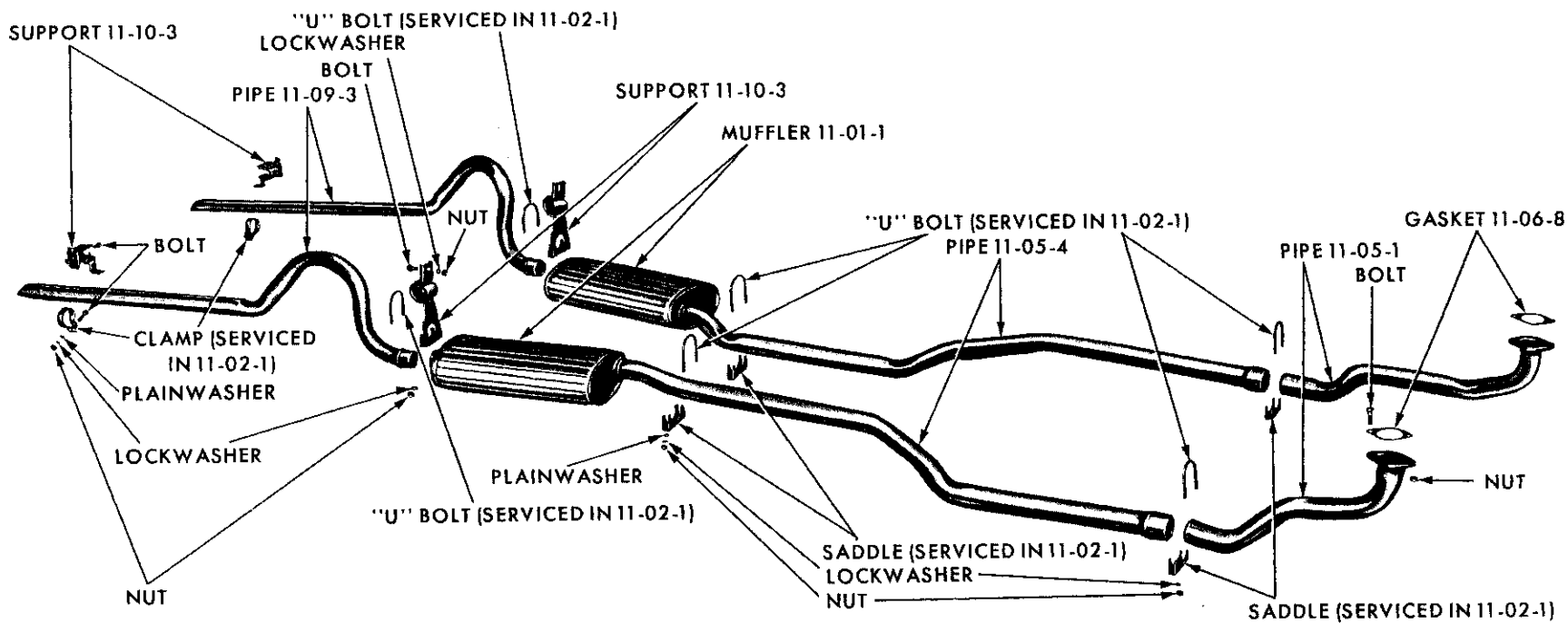
EXHAUST SYSTEM - PLYMOUTH TP1 AND DODGE TD1



**PARTS INDICATED
BY NAME ONLY - ORDER
BY DESCRIPTION**

19x9678

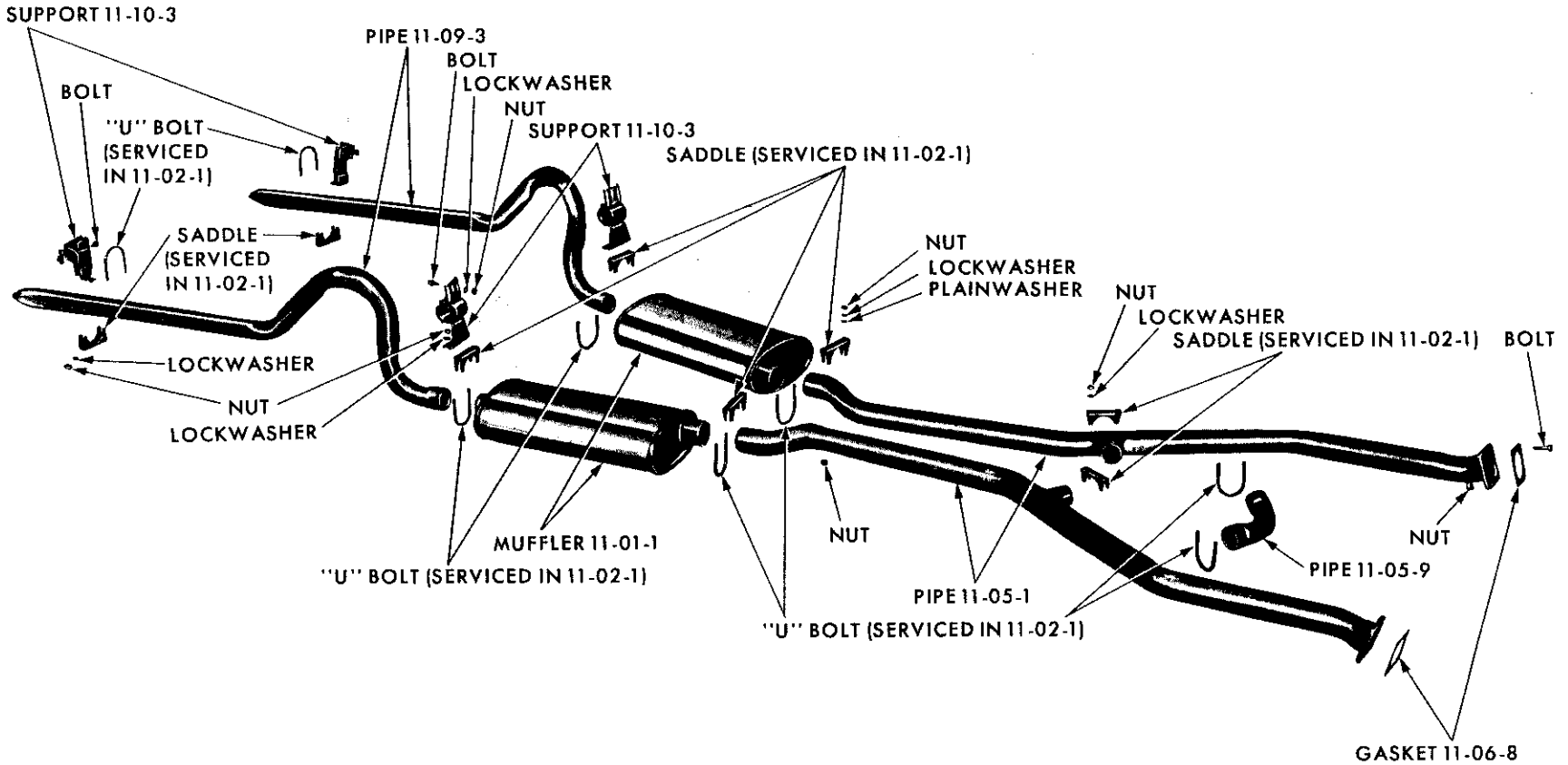
DUAL EXHAUST SYSTEM (V8 CYLINDER) - PLYMOUTH TP2 AND DODGE TD2 ("B" ENGINE)



**PARTS INDICATED
BY NAME ONLY - ORDER
BY DESCRIPTION**

19x9680

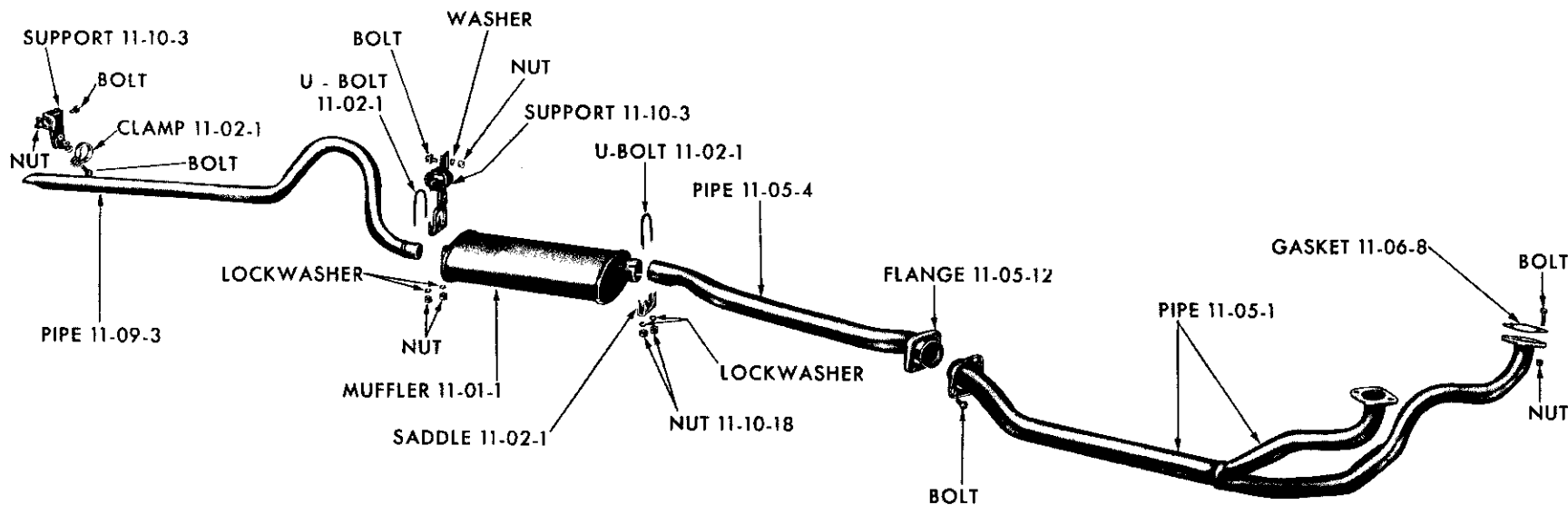
DUAL EXHAUST SYSTEM - DODGE TA3 AND CHRYSLER TC1 POLICE, CHRYSLER TC2 POWER PACK SEDAN



**PARTS INDICATED
BY NAME ONLY - ORDER
BY DESCRIPTION**

19x9679

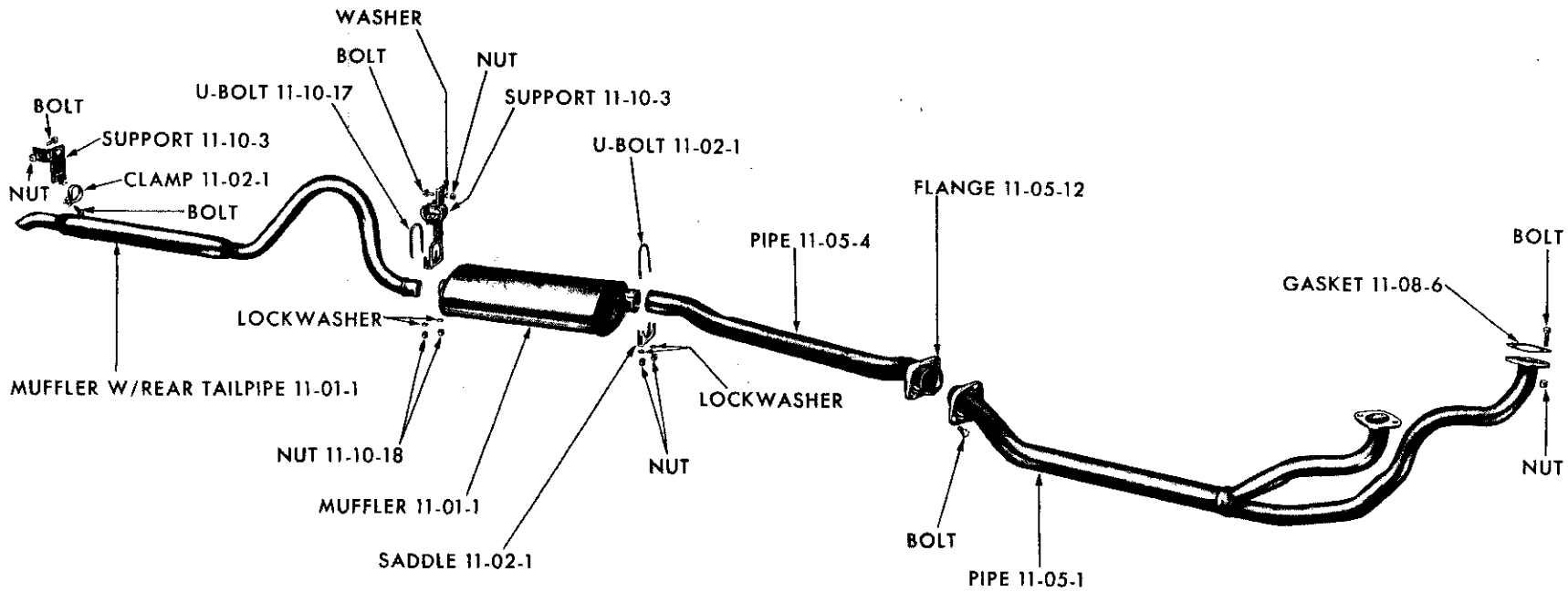
DUAL EXHAUST SYSTEM - CHRYSLER TC2-300J



**PARTS INDICATED
BY NAME ONLY - ORDER
BY DESCRIPTION**

19x9954

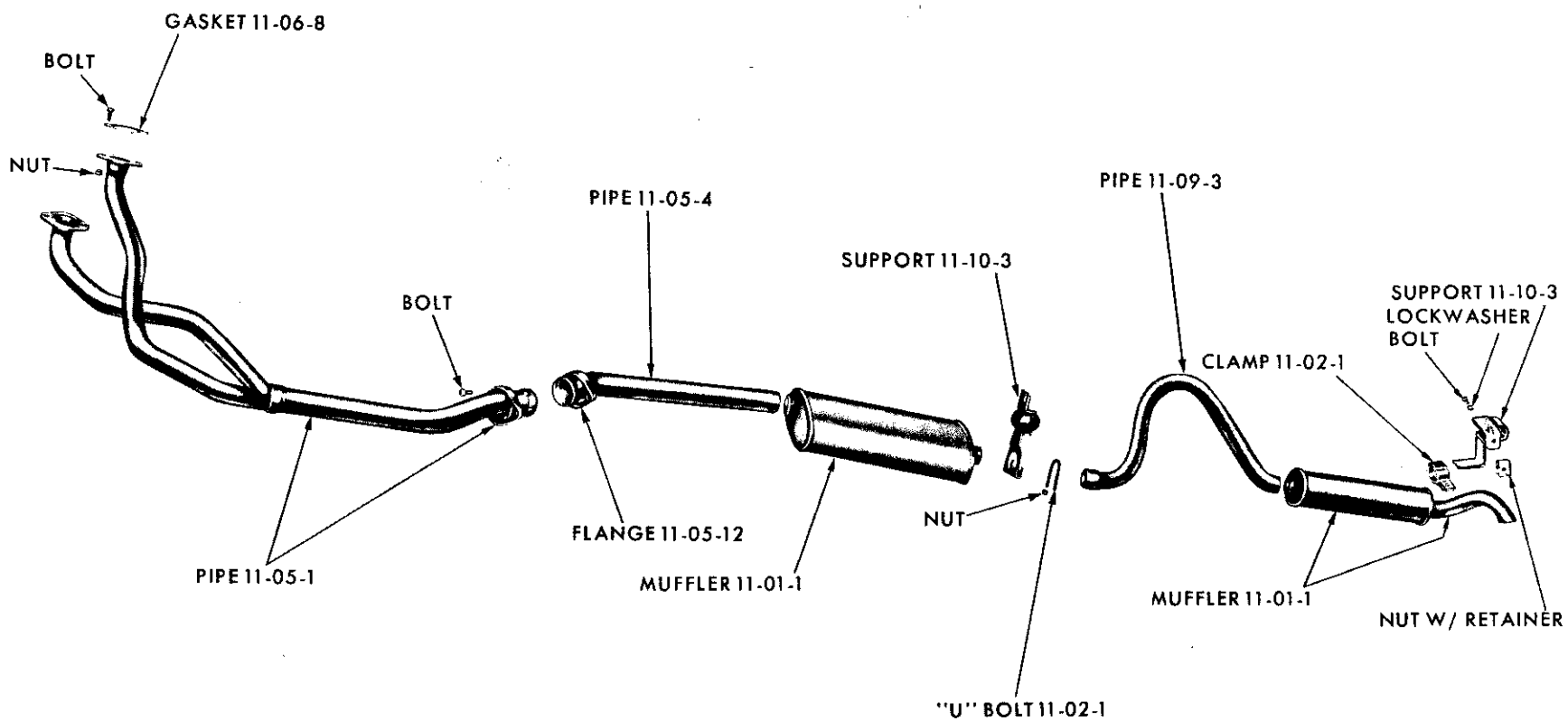
SINGLE EXHAUST SYSTEM (UP TO JOBS) - DODGE TA3 AND CHRYSLER TC1-2



**PARTS INDICATED
BY NAME ONLY - ORDER
BY DESCRIPTION**

19x9955

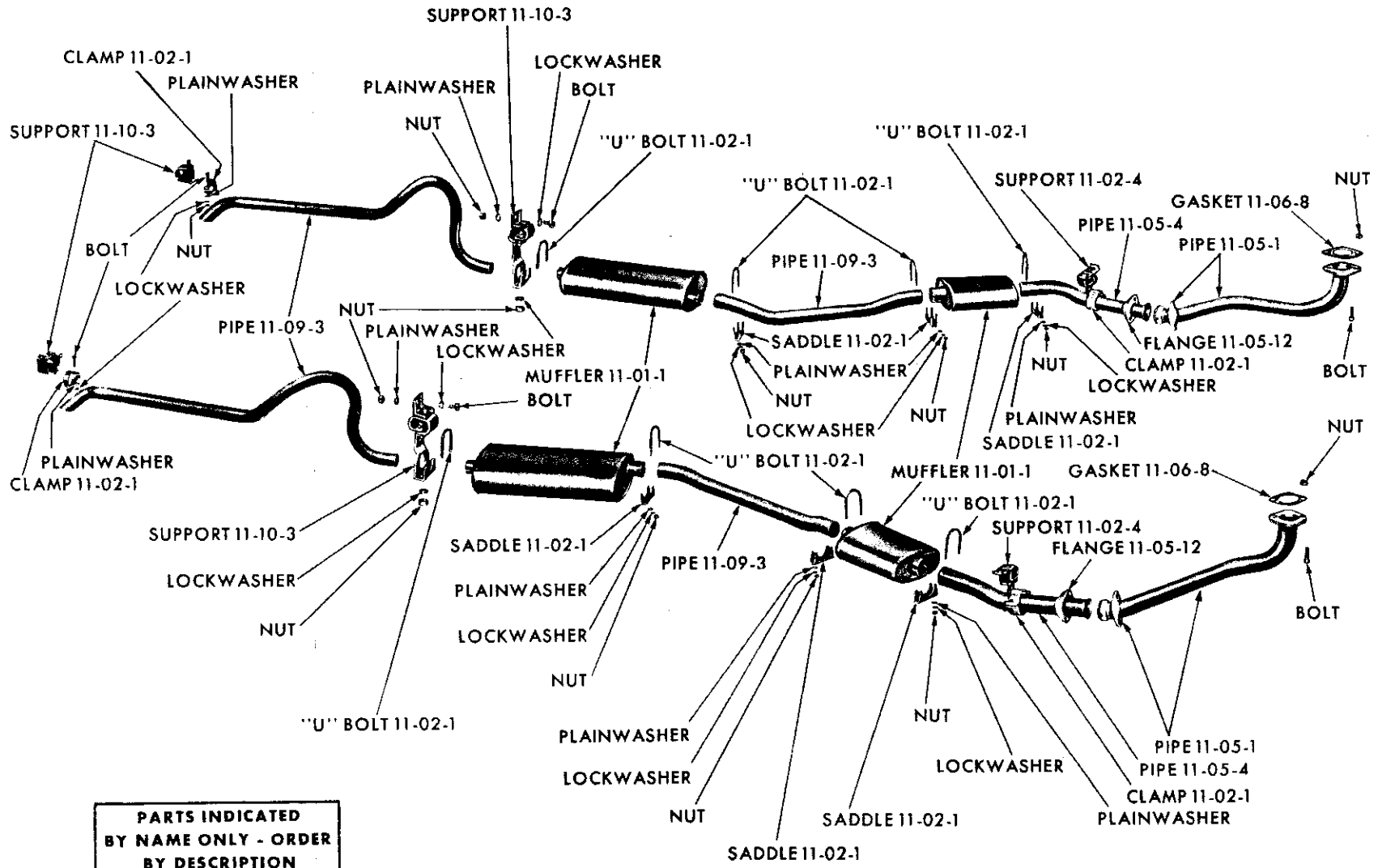
SINGLE EXHAUST SYSTEM (AFTER JOBS) - DODGE TA3 AND CHRYSLER TC1-2



PARTS INDICATED
BY NAME ONLY - ORDER
BY DESCRIPTION

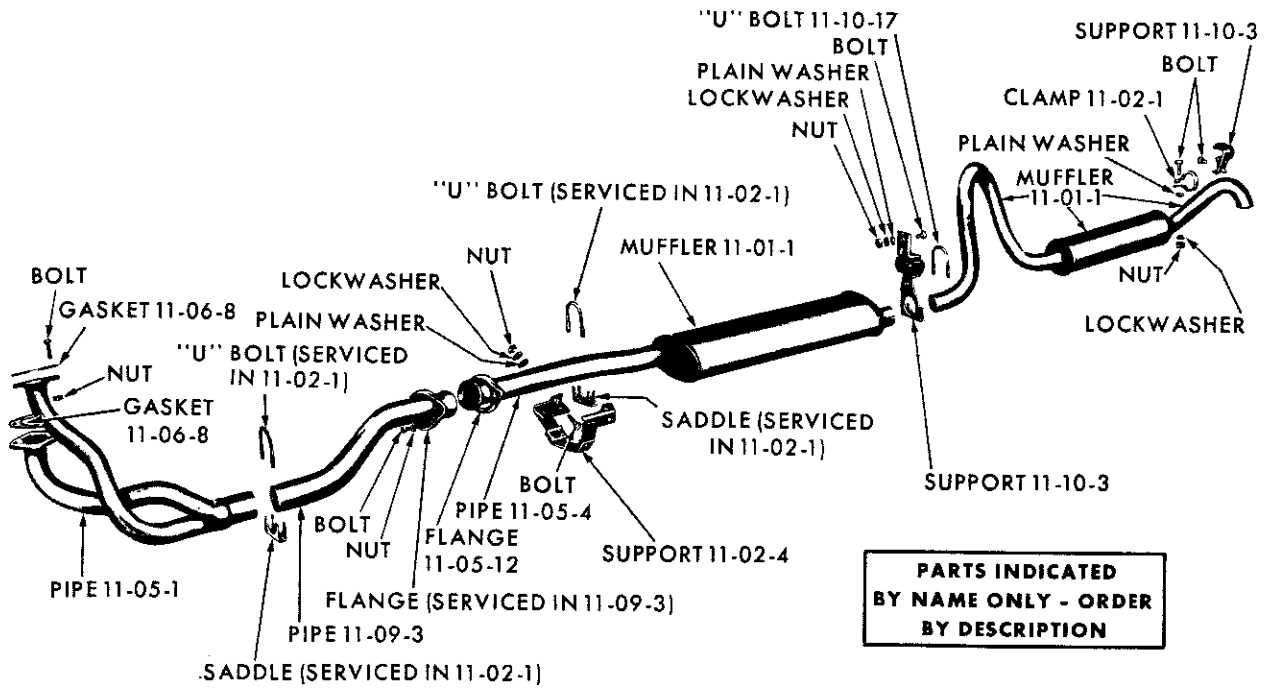
19x9098D

EXHAUST SYSTEM - CHRYSLER TC3 (EXCEPT SUBURBAN)



19x8637B

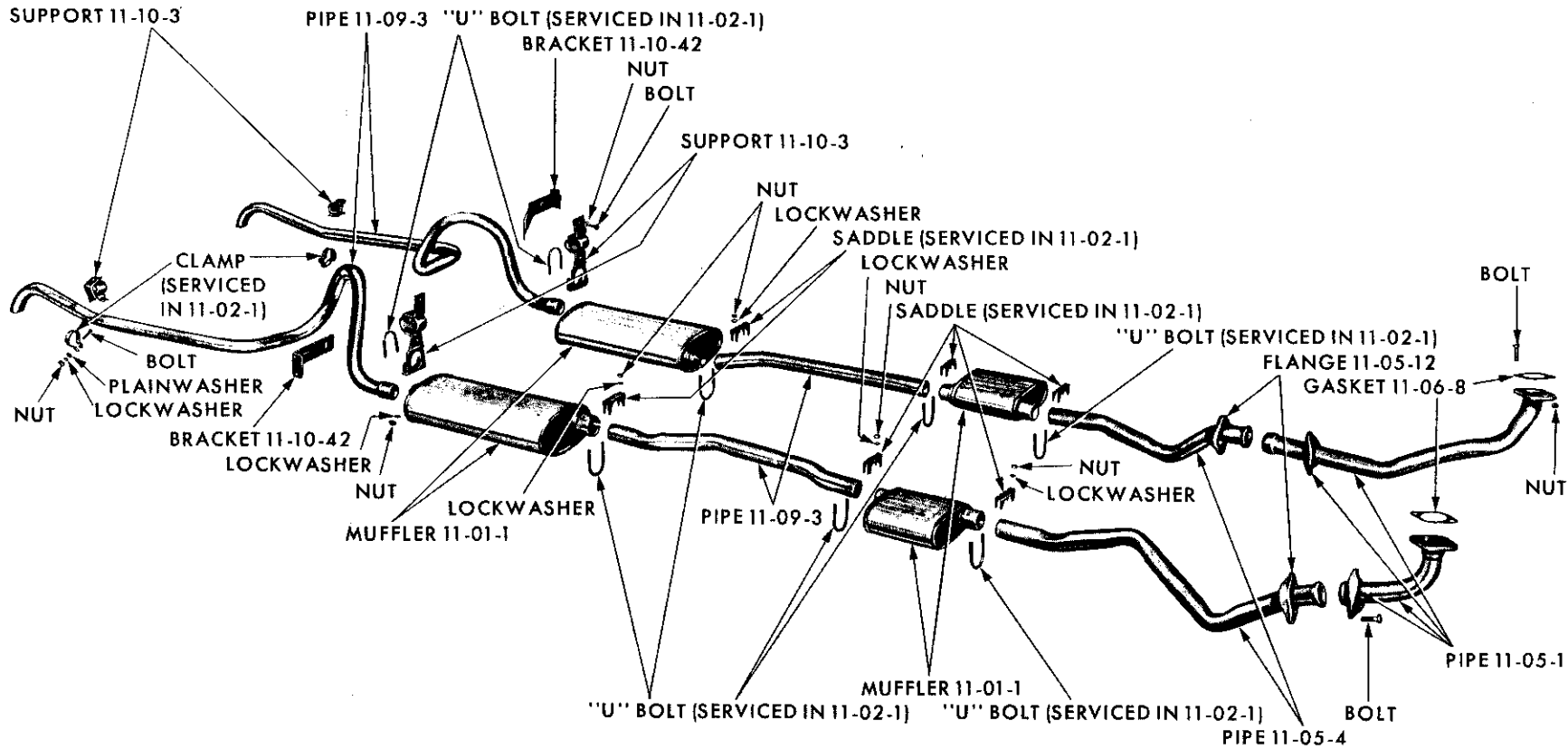
EXHAUST SYSTEM - DODGE TA3 AND CHRYSLER TC1-3 (SUBURBANS)



19x9169B

EXHAUST SYSTEM - IMPERIAL TY1

NOTES



**PARTS INDICATED
BY NAME ONLY - ORDER
BY DESCRIPTION**

19x9681

DUAL EXHAUST SYSTEM - IMPERIAL TY1 CONVERTIBLE COUPE

CODE	PART NAME AND DESCRIPTION	C Y L.	PER CAR	VALIANT DART	PLYMOUTH DODGE	CHRYSLER IMPERIAL
------	---------------------------	--------------	------------	-----------------	-------------------	----------------------

11-01-O MUFFLERSINGLE EXHAUST

11-01-1	MUFFLER, Aluminized	6	1	2409 125	2409 126	
	Zinc Coated	6	1	2208 370	2298 913	
	Aluminized, TP2, TD2	8	1	----	2409 127	
	Zinc Coated, TP2, TD2	8	1	----	2298 915	
	Aluminized, TA3, TC1, TC2	8	1	----	2409 128	2409 128
	Zinc Coated, TA3, TC1, TC2	8	1	----	2208 406	2208 406
	Rear, w/Rear Tail Pipes, except Sub., TA3, TC1, TC2, AFTER Jobs	8	1	----	*2405 342	*2405 342
	Aluminized, Front, TC3, except Sub.	8	1	----	----	2409 128
	Zinc Coated, Front, TC3, except Sub.	8	1	----	----	2208 406
	Aluminized, Rear, w/Rear Tail Pipe, TC3 except Sub.	8	1	----	----	2201 418
	Front, TY1 except Cv. Cp.	8	1	----	----	2409 129
	Rear, w/Front and Rear Tail Pipes, TY1 except Cv. Cp.	8	1	----	----	2265 964

DUAL EXHAUST

	Aluminized, except w/426 cu.in. Eng., TP2, TD2, Right	8	1	----	2409 130	
	Aluminized, except w/426 cu.in. Eng., TP2, TD2, Left	8	1	----	2409 127	
	Zinc Coated, except 426 cu.in. Eng., TP2, TD2	8	2	----	2298 915	
	Aluminized, w/426 cu.in. Eng., TP2, TD2	8	2	----	*2409 128	
	Zinc Coated, w/426 cu.in. Eng., TP2, TD2	8	2	----	*2208 406	
	Aluminized, w/413 cu.in. Eng., Right, TA3, TC1, Police 4D., TC2	8	1	----	2409 134	2409 134
	Aluminized, w/413 cu.in. Eng., Left, TA3, TC1, Police 4D., TC2	8	1	----	2409 133	2409 133
	Zinc Coated, w/413 cu.in. Eng., TA3, TC1, Police 4D., TC2	8	2	----	2208 405	2208 405
	TC2-300J	8	2	----	----	2405 985
	Front, TA3, TC1, Police Sub., TC3 Sub.	8	2	----	2405 331	2405 331
	Rear, TA3, TC1, Police Sub., TC3 Sub.	8	2	----	2409 136	2409 136
	Front, TY1 Cv.Cp.	8	2	----	----	2405 331
	Rear, TY1 Cv.Cp.	8	2	----	----	2405 335

11-02-O MUFFLER SUPPORTSINGLE EXHAUST

11-02-1	CLAMP PACKAGE, Tail Pipe Rear Support	6	1	2240 308	2240 311	
	TP2, TD2	8	1	----	2279 897	
	TA3	8	1	----	2240 312	2240 312
	Tail Pipe Front Support	6	1	----	1843 009	
	TP2, TD2	8	1	----	*2240 311	
	TA3	8	1	----	*2240 311	*2240 311
	Muffler to Exhaust Pipe	6	1	1843 009	1843 010	
	TP2, TD2	8	1	----	*2240 311	
	Muffler to Exhaust Extension, TP2, TD2	8	1	----	*2240 311	
	TA3	8	1	----	*1603 365	*1603 365
	Front Muffler Support, TY1	8	1	----	----	*1603 365
	Intermediate to Exhaust Pipe, TY1	8	1	----	----	*1603 365
	Exhaust to Extension, TP2, TD2	8	1	----	1603 364	
	Exhaust Pipe Brace, Taxi, Police	6	1	----	1843 010	

★ Indicates use as required.

Numerals in parentheses () refer to notes.

Printed in U.S.A.

☐ Indicates parts not listed in any previous parts book.

Prices and specifications subject to change without notice.

* Indicates change or addition.

CODE	PART NAME AND DESCRIPTION	CYL.	PER CAR	VALIANT DART	PLYMOUTH DODGE	CHRYSLER IMPERIAL
------	---------------------------	------	---------	--------------	----------------	-------------------

11-02-0 MUFFLER SUPPORT - Cont'd

DUAL EXHAUST

11-02-1	CLAMP PACKAGE - Cont'd					
	Tail Pipe Rear Support, TP2, TD2, TC2-300J . . .	8	2	----	2279 897	1603 364
	w/426 cu.in. Eng., TP2, TD2	8	2	----	*2240 312	
	TA3, TC1, Police except Sub., TC2					
	w/413 cu.in. Eng.	8	2	----	2240 312	2240 312
	TA3, TC1, Police Sub., TC3 Sub., TY1 Cv.Cp. . .	8	2	----	2240 311	2240 311
	Tail Pipe Front Support, w/426 cu.in. Eng.,					
	except Sub., TP2, TD2	8	2	----	*2240 311	
	TA3, TC1, Police except Sub., TC2					
	w/413 cu.in. Eng.	8	2	----	*2240 311	*2240 311
	TA3, TC1, Police Sub., TC3 Sub.	8	2	----	1843 009	1843 009
	TC2-300J	8	2	----	----	1603 364
	TY1 Cv.Cp.	8	2	----	----	1843 009
	Front Muffler to Intermediate Tail Pipe, TA3,					
	TC1, Police Sub., TC3 Sub., TY1 Cv.Cp.	8	2	----	*2240 311	*2240 311
	Front Muffler to Exhaust Extension,					
	TA3, TC1, Police Sub., TC3 Sub.	8	2	----	2240 312	2240 312
	Muffler to Exhaust Extension, TP2, TD2,					
	w/426 cu.in. Eng.	8	2	----	*1603 365	
	TA3, TC1, Police except Sub., TC2					
	w/413 cu.in. Eng.	8	2	----	1603 364	1603 364
	TY1 Cv.Cp.	8	2	----	----	*2240 311
	Muffler to Exhaust Pipe, w/361 and 383 cu.in.					
	Eng., TP2, TD2	8	2	----	*2240 311	
	TC2-300J	8	2	----	----	*1603 365
	Exhaust to Crossover, w/426 cu.in. Eng.,					
	TP2, TD2	8	2	----	*2240 311	
	TC2-300J	8	2	----	----	*2240 311
11-02-4	SUPPORT, w/INSULATOR, Front Muffler,					
	TA3, TC1, Police Sub., TC3 Sub., Right	8	1	----	2122 796	2122 796
	Left	8	1	----	1948 549	1948 549
	TY1 except Cv.Cp.	8	1	----	----	2265 968
	TY1, Cv.Cp., Right	8	1	----	----	1820 319
	Left	8	1	----	----	1820 318

11-05-0 EXHAUST PIPE

SINGLE EXHAUST

11-05-1	PIPE, w/170 cu.in. Eng., TV1	6	1	2208 420		
	w/225 cu.in. Eng., TV1	6	1	2208 440		
	w/170 cu.in. Eng., TL1 except Sub.	6	1	2401 550		
	w/225 cu.in. Eng., TL1 except Sub.	6	1	2401 556		
	w/170 cu.in. Eng., TL1 Sub.	6	1	2208 420		
	w/225 cu.in. Eng., TL1 Sub.	6	1	2208 440		
	TP1	6	1	----	2208 428	
	Police and Taxi, w/Auto. Trans., TP1 2D., 4D.					
	and Sub., TD1 Sub.	6	1	----	*2409 148	
	Police and Taxi, Std. Trans., 2D. and 4D., TP1 .	6	1	----	*2208 428	
	Police and Taxi, Std. Trans., 2D. and 4D., TD1 .	6	1	----	*2267 007	
	Police and Taxi, w/Auto. Trans., 2D. and 4D.,					
	TD1	6	1	----	*2409 152	
	Except Sub., TD1	6	1	----	2267 007	
	Sub., TD1	6	1	----	2208 428	
	w/318 cu.in. Eng., TP2, TD2	8	1	----	2203 557	

★ Indicates use as required.

Numerals in parentheses () refer to notes.

Printed in U.S.A.

⊠ Indicates parts not listed in any previous parts book.

Prices and specifications subject to change without notice.

Jan. 3, 1964 Supersedes Dec. 14, 1962.

* Indicates change or addition.

CODE	PART NAME AND DESCRIPTION	C Y L.	PER CAR	VALIANT DART	PLYMOUTH DODGE	CHRYSLER IMPERIAL
------	---------------------------	--------------	------------	-----------------	-------------------	----------------------

11-05-0 EXHAUST PIPE - Cont'dSINGLE EXHAUST - Cont'd

11-05-1	PIPE - Cont'd					
	TP2 w/361, 383 cu.in. Eng., TD2					
	w/383 cu.in. Eng.	8	1	----	2266 041	
	TA3, TC1, TC2	8	1	----	2404 953	2404 953
	TC3 except Sub.	8	1	----	----	2404 958
	TY1	8	1	----	----	2404 963

DUAL EXHAUST

	w/361 and 383 cu.in. Eng., TP2, Right	8	1	----	2208 434	
	w/361 and 383 cu.in. Eng., TP2, Left	8	1	----	2208 432	
	w/383 cu.in. Eng., TD2 except Sub., Right	8	1	----	2266 996	
	w/383 cu.in. Eng., TD2 except Sub., Left	8	1	----	2266 994	
	w/383 cu.in. Eng., TD2 Sub., Right	8	1	----	2208 434	
	w/383 cu.in. Eng., TD2 Sub., Left	8	1	----	2208 432	
	w/426 cu.in. Eng., Right, TP2, TD2	8	1	----	*2404 938	
	w/426 cu.in. Eng., Left, TP2, TD2	8	1	----	*2404 934	
	TA3, TC1, Police except Sub., TC2					
	w/413 cu.in. Eng., Right	8	1	----	2265 952	2265 952
	TA3, TC1, Police except Sub., TC2					
	w/413 cu.in. Eng., Left	8	1	----	2265 950	2265 950
	TA3, TC1, Police Sub., TC3 Sub., Right	8	1	----	2123 481	2123 481
	TA3, TC1, Police Sub., TC3 Sub., Left	8	1	----	2123 479	2123 479
	TC2-300J, Right	8	1	----	----	2401 602
	TC2-300J, Left	8	1	----	----	2401 600
	TY1 Cv. Cp., Right	8	1	----	----	1948 166
	TY1 Cv. Cp., Left	8	1	----	----	2265 975

SINGLE EXHAUST

11-05-4	PIPE, Exhaust Extension, w/318 cu.in. Eng., TP2	8	1	----	2203 563	
	w/318 cu.in. Eng., TD2 except Sub.	8	1	----	2265 999	
	w/318 cu.in. Eng., TD2 Sub.	8	1	----	2203 563	
	w/361, 383 cu.in. Eng., TP2	8	1	----	2266 046	
	w/383 cu.in. Eng., TD2 except Sub.	8	1	----	2267 003	
	w/383 cu.in. Eng., TD2 Sub.	8	1	----	2266 046	
	TA3, TC1, TC2, TC3 except Sub.	8	1	----	*2404 968	*2404 968
	TY1 except Cv. Cp.	8	1	----	----	2404 970
	Intermediate, TY1 except Cv. Cp.	8	1	----	----	2404 971

DUAL EXHAUST

	w/426 cu.in. Eng., Right, TP2	8	1	----	*2404 946	
	w/426 cu.in. Eng., Left, TP2	8	1	----	*2404 945	
	w/426 cu.in. Eng., Left, except Sub., TD2	8	1	----	2404 949	
	w/426 cu.in. Eng., Right, except Sub., TD2	8	1	----	2404 950	
	w/426 cu.in. Eng., Right, Sub., TD2	8	1	----	*2404 946	
	w/426 cu.in. Eng., Left, Sub., TD2	8	1	----	*2404 945	
	TA3, TC1, Police except Sub., TC2					
	w/413 cu.in. Eng., Right	8	1	----	2405 330	2405 330
	TA3, TC1, Police except Sub., TC2					
	w/413 cu.in. Eng., Left	8	1	----	2405 329	2405 329
	w/413 cu.in. Eng., TA3, TC1, Police Sub.,					
	TC3 Sub., Right	8	1	----	2405 349	2405 349
	w/413 cu.in. Eng., TA3, TC1, Police Sub.,					
	TC3 Sub., Left	8	1	----	2405 348	2405 348
	TY1 Cv. Cp., Right	8	1	----	----	1948 173
	TY1 Cv. Cp., Left	8	1	----	----	2265 977
11-05-9	PIPE, Exhaust Crossover, w/426 cu.in. Eng.,					
	except Sub., TP2, TD2	8	1	----	2404 942	
	TC2-300J	8	1	----	----	2401 604

★ Indicates use as required.

Numerals in parentheses () refer to notes.

Printed in U.S.A.

☐ Indicates parts not listed in any previous parts book.

Prices and specifications subject to change without notice.

* Indicates change or addition.

CODE	PART NAME AND DESCRIPTION	C Y L.	PER CAR	VALIANT DART	PLYMOUTH DODGE	CHRYSLER IMPERIAL
------	---------------------------	--------------	------------	-----------------	-------------------	----------------------

11-05-O EXHAUST PIPE - Cont'd

DUAL EXHAUST - Cont'd

11-05-12	FLANGE, Extension Pipe Ball Joint, Single Exhaust, TA3	8	1	----	1946 639	1946 639
	TA3, TC1, Police Sub., TC3 Sub., TY1 Cv.Cp., Dual Exhaust	8	2	----	1946 637	1946 637

11-Q6-O EXHAUST PIPE FLANGE GASKET AND STUD

11-06-2	STUD, Exhaust Manifold Flange, TP2, TD2	8	1	----	1402 981	
11-06-3	NUT, Extension Pipe Ball Joint Flange, TA3	8	★	----	1946 648	1946 648
11-06-4	FLANGE, TC2-300J	8	2	----	----	579 396
11-06-8	GASKET, Exhaust Pipe Flange	6	1	2073 792	2073 792	
	w/318 cu.in. Eng., TP2, TD2	8	2	----	1636 570	
	TP2 w/361, 383 cu.in. Eng., TD2 w/383 cu.in. Eng. w/426 cu.in. Eng., TP2, TD2	8	2	----	1855 029	
	Flange Cover, w/426 cu.in. Eng., TP2, TD2	8	2	----	*2401 577	
	Except TC2-300J	8	2	----	*2401 577	
	TC2-300J	8	2	----	----	1855 029
	TA3	8	2	----	1855 029	683 051
11-06-10	COVER, Exhaust Pipe Flange, w/426 cu.in. Eng., TP2, TD2	8	2	----	*2404 941	

11-08-O EXHAUST PIPE SUPPORT AND CLAMP

11-08-5	BRACE, Police and Taxi, w/o 4 Speed Std. Trans., 2D. and 4D.	6	1	----	2203 638	
	Police and Taxi, w/4 Speed Std. Trans.	6	1	----	2409 155	

11-09-O TAIL PIPE

SINGLE EXHAUST

11-09-3	PIPE, Tail, except Sub.	6	1	2404 998	2404 921	
	Sub.	6	1	2404 999	2203 579	
	Except Sub., TP2, TD2	8	1	----	2404 923	
	Except Sub., TA3, TC1, TC2, UP TO Jobs.	8	1	----	*2401 569	*2401 569
	Sub., TP2, TD2	8	1	----	2203 583	
	Sub., TA3, TC1	8	1	----	1948 591	1948 591
	Front, except Sub., TC3	8	1	----	----	2404 975

DUAL EXHAUST

w/361 and 383 cu.in. Eng., except Sub., TP2, TD2, Right	8	1	----	2404 924	
w/361 and 383 cu.in. Eng., except Sub., TP2, TD2, Left	8	1	----	2404 923	
w/361 and 383 cu.in. Eng., Sub., TP2, TD2, Right	8	1	----	2203 584	
w/361 and 383 cu.in. Eng., Sub., TP2, TD2, Left w/426 cu.in. Eng., Right, except Sub., TP2, TD2	8	1	----	2203 583	
w/426 cu.in. Eng., Left, except Sub., TP2, TD2	8	1	----	2404 926	
				2404 925	
w/426 cu.in. Eng., Right, Sub., TP2, TD2.	8	1	----	*2461 531	
w/426 cu.in. Eng., Left, Sub., TP2, TD2	8	1	----	*2461 530	
w/413 cu.in. Eng., Right, TA3, TC1, Police 4D., TC2.	8	2	----	*2401 569	*2401 569
w/413 cu.in. Eng., Left, TA3, TC1, Police 4D., TC2	8	1	----	*2401 568	*2401 568
TA3, TC1, Police Sub., TC3 Sub., Right	8	1	----	1948 589	1948 589
TA3, TC3, Police Sub., TC3 Sub., Left	8	1	----	1948 588	1948 588

★ Indicates use as required. Numerals in parentheses () refer to notes. Printed in U.S.A.
 □ Indicates parts not listed in any previous parts book. Prices and specifications subject to change without notice.
 Jan. 3, 1964 Supersedes Dec. 14, 1962. Page 11-8 * Indicates change or addition.

CODE	PART NAME AND DESCRIPTION	CYL.	PER CAR	VALIANT DART	PLYMOUTH DODGE	CHRYSLER IMPERIAL
------	---------------------------	------	---------	--------------	----------------	-------------------

11-09-O TAIL PIPE - Cont'd

DUAL EXHAUST - Cont'd

11-09-3	PIPE - Cont'd					
	TC2-300J, Right	8	1	----	----	2401 608
	TC2-300J, Left	8	1	----	----	2401 607
	TY1 Cv.Cp., Right	8	1	----	----	1948 284
	TY1 Cv.Cp., Left	8	1	----	----	1948 283
	Intermediate, TA3, TC1, Police Sub., TC3, Sub., Right	8	1	----	2409 142	2409 142
	Intermediate, TA3, TC1, Police Sub., TC3 Sub., Left	8	1	----	2409 140	2409 140
	Intermediate, TY1 Cv.Cp., Right	8	1	----	----	1948 267
	Intermediate, TY1 Cv.Cp., Left	8	1	----	----	1948 266

11-10-O TAIL PIPE SUPPORT

SINGLE EXHAUST

11-10-3	SUPPORT, w/INSULATOR, Front	6	1	2266 971	2203 677	
	Rear, except Sub.	6	1	2073 794	2401 562	
	Rear, Sub.	6	1	2073 794	2203 915	
	Front, TP2, TD2	8	1	----	2203 965	
	Rear, except Sub., TP2, TD2	8	1	----	2401 562	
	Rear, Sub., TP2, TD2	8	1	----	2203 915	
	Front, TA3, TC1, TC2, TC3 except Sub.	8	1	----	2123 440	2123 440
	Rear, except Sub., TA3, TC1, TC2, UP TO Jobs	8	1	----	*2203 680	*2203 680
	Rear, except Sub., TA3, TC1, TC2, AFTER Jobs	8	1	----	*2405 341	*2405 341
	Rear, except Sub., TC3	8	1	----	----	2404 977
	Rear, Sub., TA3, TC1	8	1	----	2208 394	2208 394
	Front, except Cv.Cp., TY1	8	1	----	----	2265 985
	Rear, except Cv.Cp., TY1	8	1	----	----	2265 972
	NUT, U-Bolt, Front		2	6022 838	6022 838	6022 838
	SCREW, Front Support		*	----	----	6022 226
	SCREW, Rear Support to Body	6	1	6025 089	----	

DUAL EXHAUST

	Front, TP2, TD2, Right	8	1	----	2203 966	
	Front, TP2, TD2, Left	8	1	----	2203 965	
	Rear, TP2, TD2, except Sub.	8	2	----	2401 562	
	Rear, Sub., TP2, TD2, Right	8	1	----	2203 916	
	Rear, Sub., TP2, TD2, Left	8	1	----	2203 915	
	Front, Right, w/426 cu.in. Eng., except Sub., TP2, TD2	8	1	----	2404 930	
	Front, Left, w/426 cu.in. Eng., except Sub., TP2, TD2	8	1	----	2404 929	
	Rear, w/426 cu.in. Eng., except Sub., TP2, TD2	8	2	----	2401 562	
	Front, TA3, TC1, Police 4D., TC2 w/413 cu.in. Eng.	8	2	----	2123 440	2123 440
	Rear, TA3, TC1, Police 4D., TC2 w/413 cu.in. Eng.	8	2	----	*2405 341	*2405 341
	Front, TA3, TC1, Police Sub., TC3 Sub.	8	2	----	2123 438	2123 438
	Rear, TA3, TC1, Police Sub., TC3 Sub., Right	8	1	----	2208 394	2208 394
	Rear, TA3, TC1, Police Sub., TC3 Sub., Left	8	1	----	2208 393	2208 393
	Front, TC2-300J	8	2	----	----	2401 611
	Rear, TC2-300J	8	2	----	----	2203 680
	Front, TY1 Cv.Cp.	8	2	----	----	2123 456
	Rear, TY1 Cv.Cp.	8	2	----	----	2208 396
	NUT, U-Bolt, Front	8	4	6022 838	6022 838	6022 838

★ Indicates use as required.

Numerals in parentheses () refer to notes.

Printed in U.S.A.

☐ Indicates parts not listed in any previous parts book.

Prices and specifications subject to change without notice.

* Indicates change or addition.

Jan. 3, 1964 Supersedes Dec. 14, 1962.

