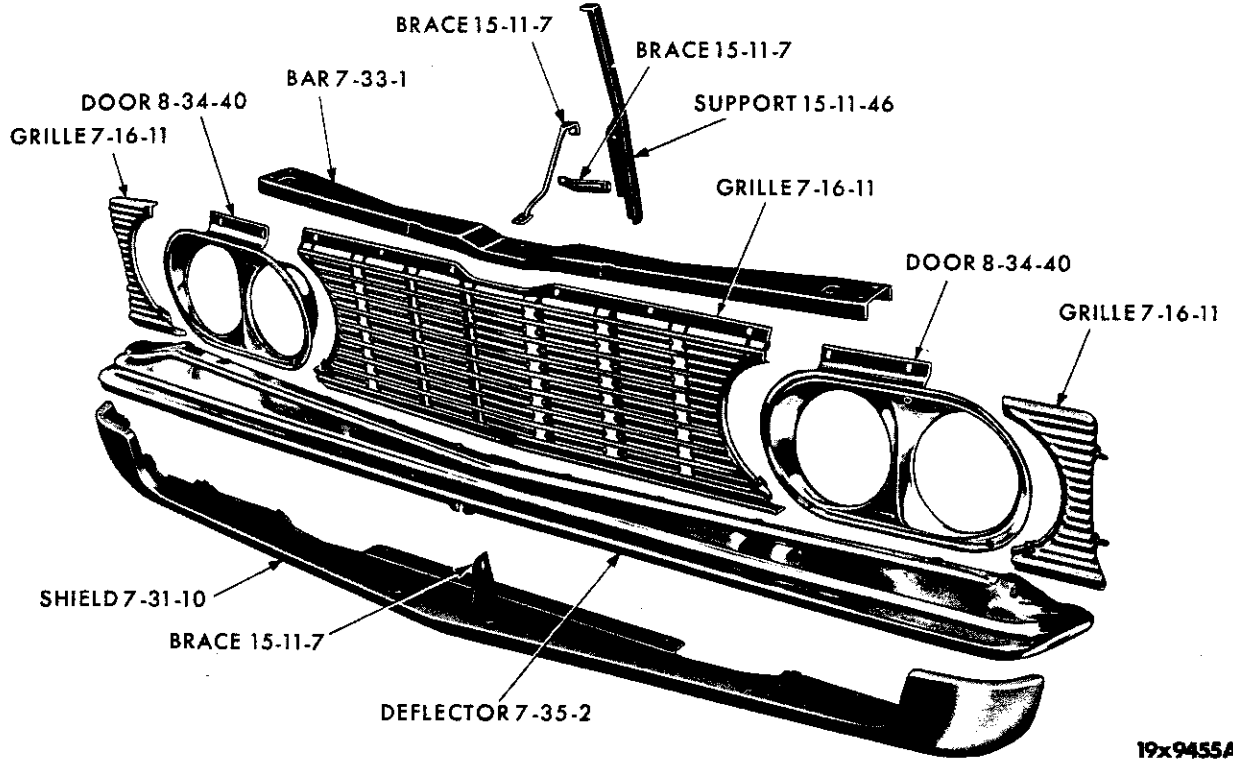
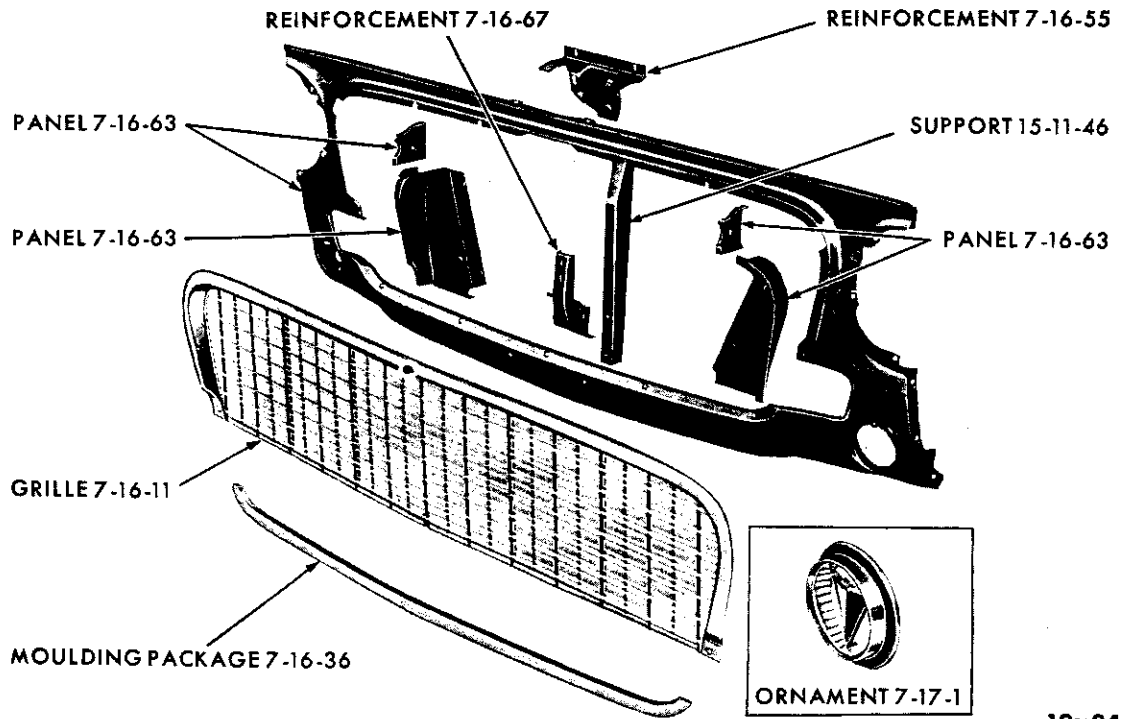


GROUP 7 - COOLING

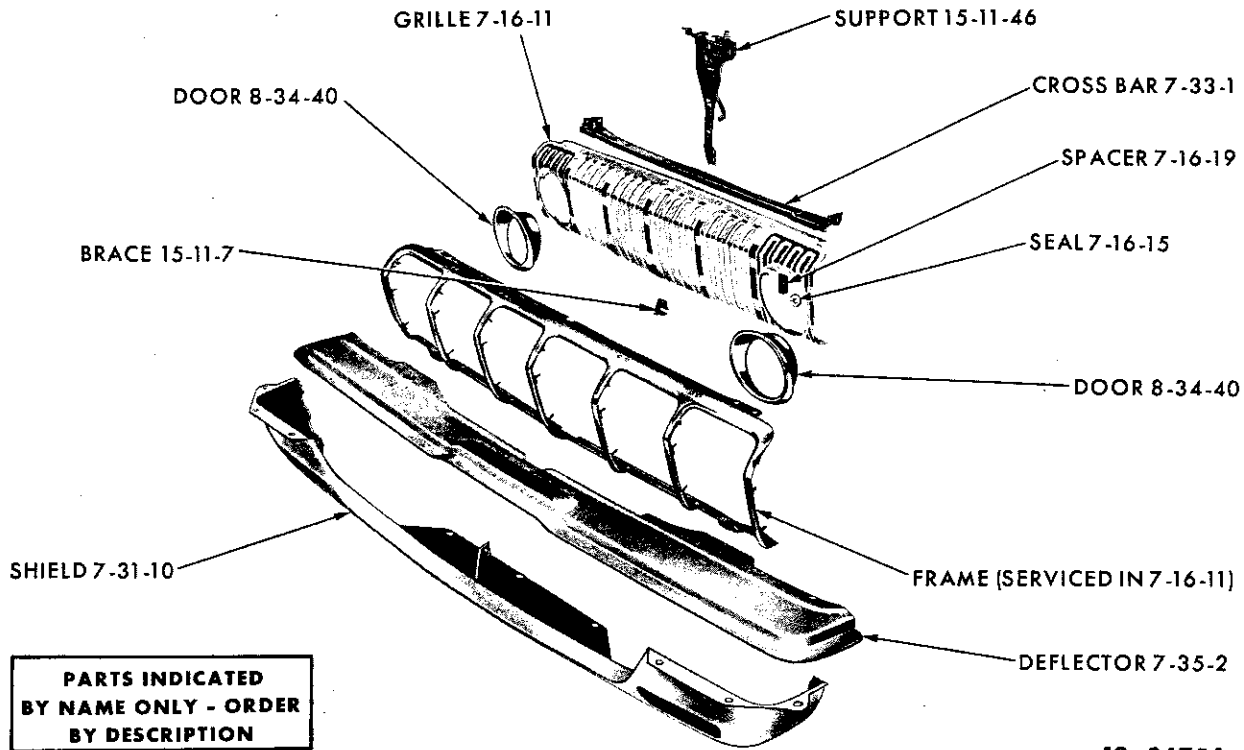


GRILLE - PLYMOUTH TP1-2



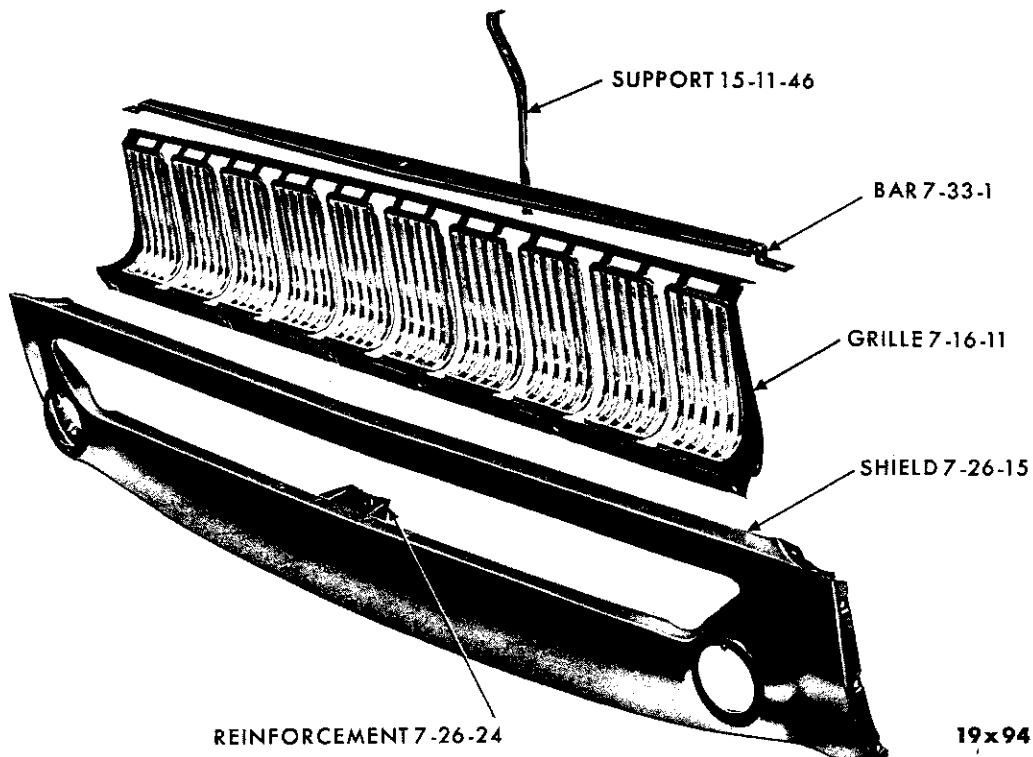
19x9490

GRILLE - VALIANT TV1



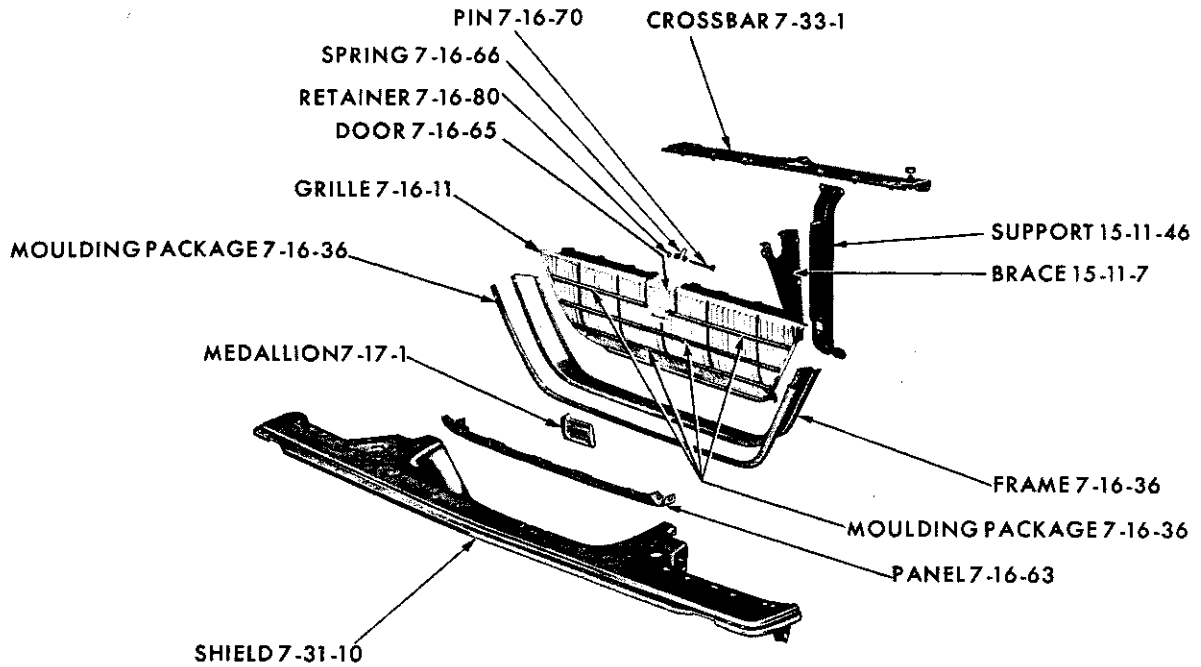
19x9475A

GRILLE - DODGE TD1-2



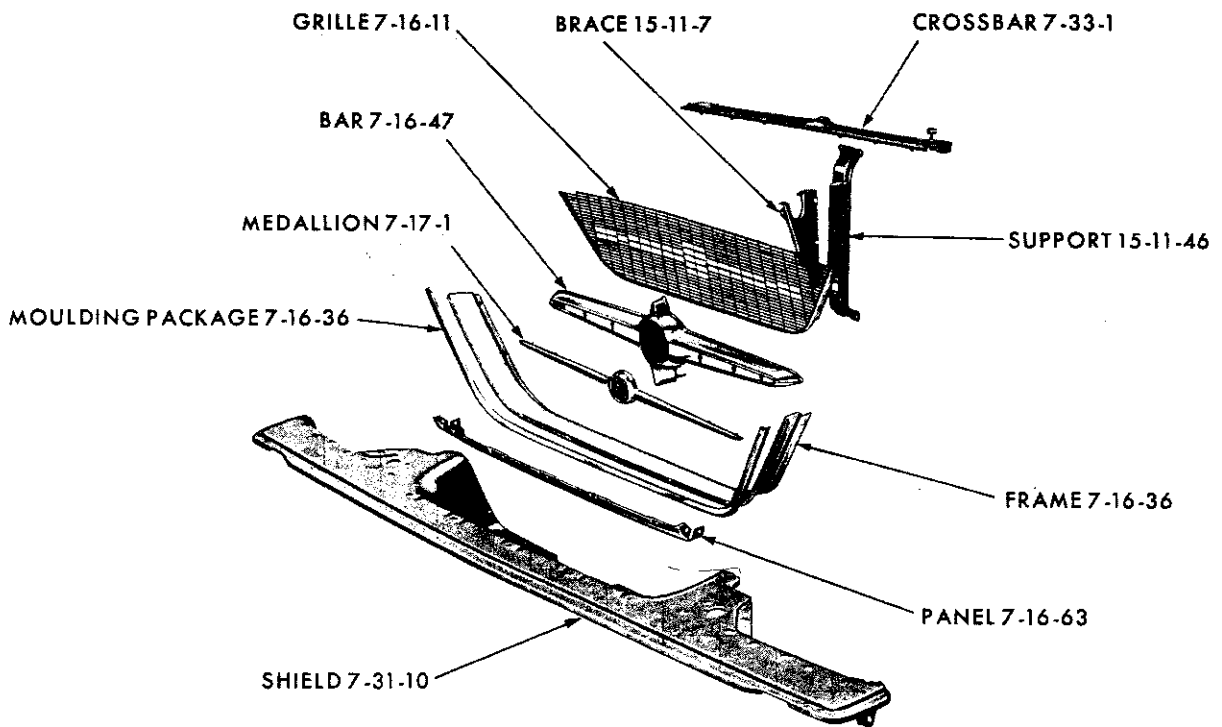
19x9454

GRILLE - DART TL1



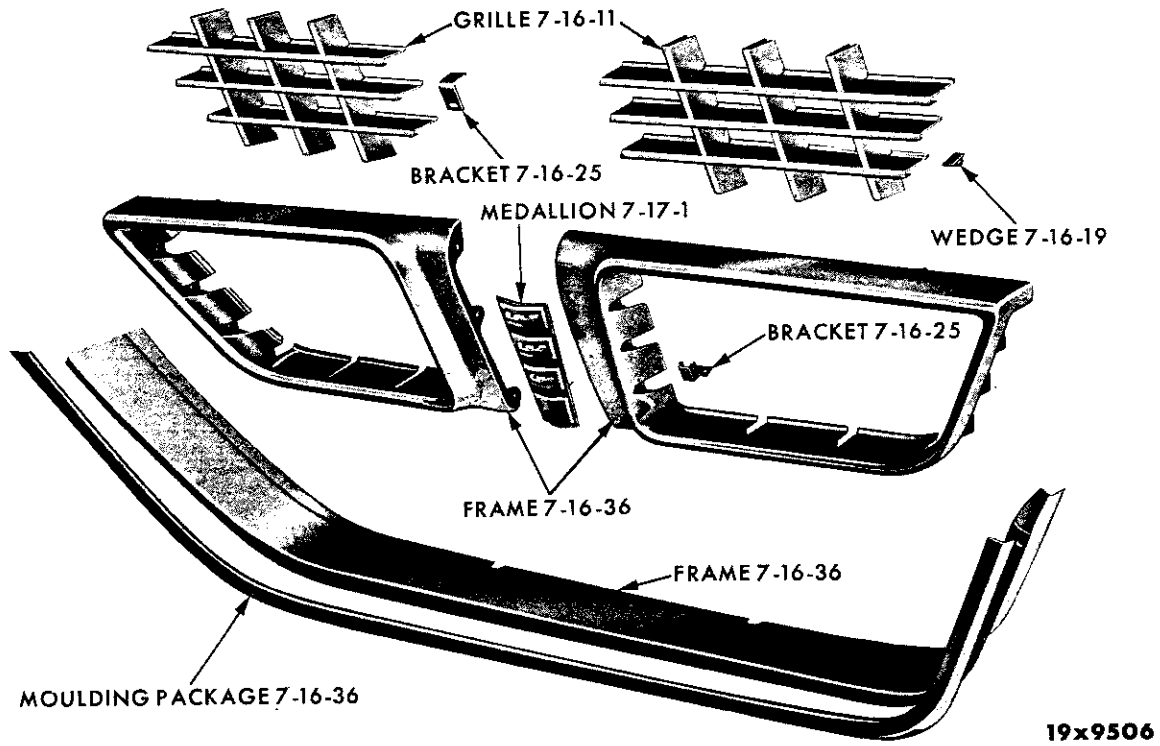
19x9497A

GRILLE - CHRYSLER TC1

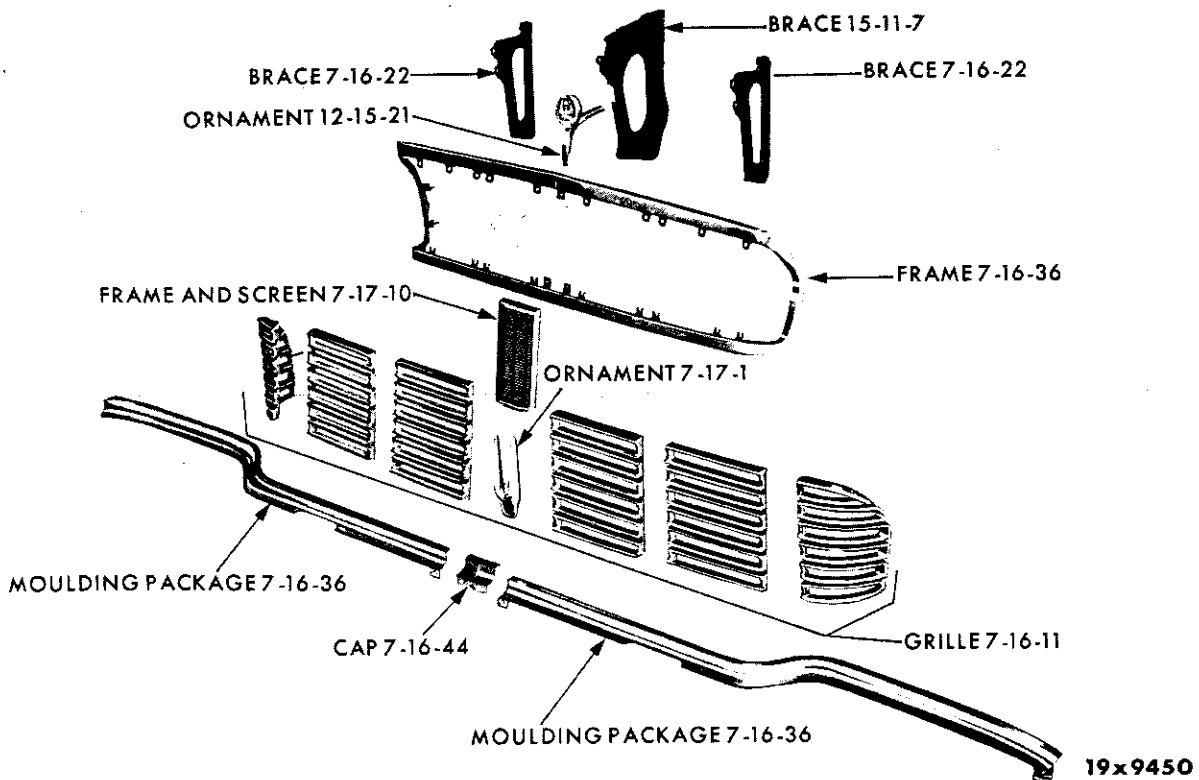


19x9498

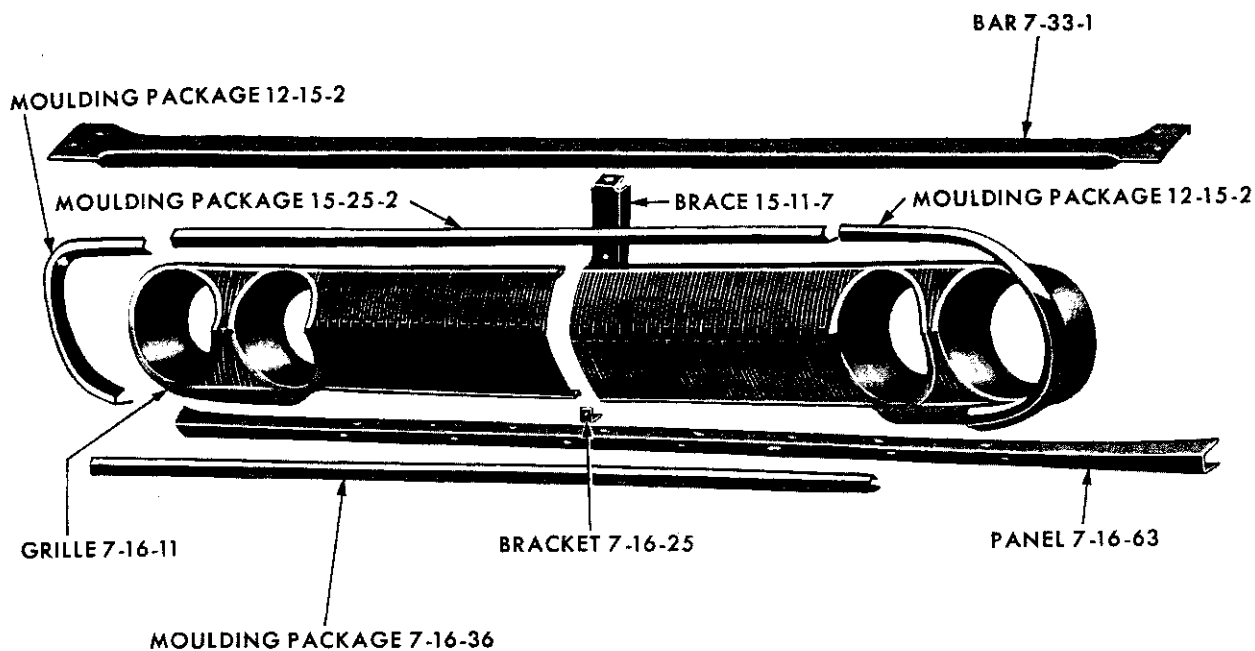
GRILLE - CHRYSLER TC2



GRILLE - CHRYSLER TC3



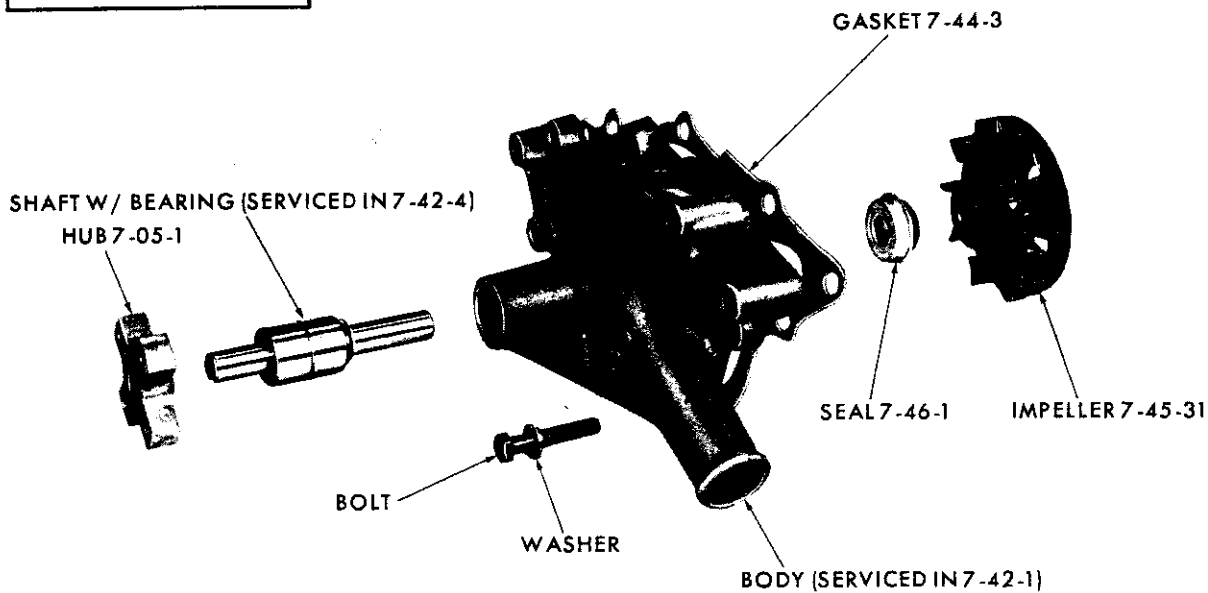
GRILLE - IMPERIAL TY1



19x9596

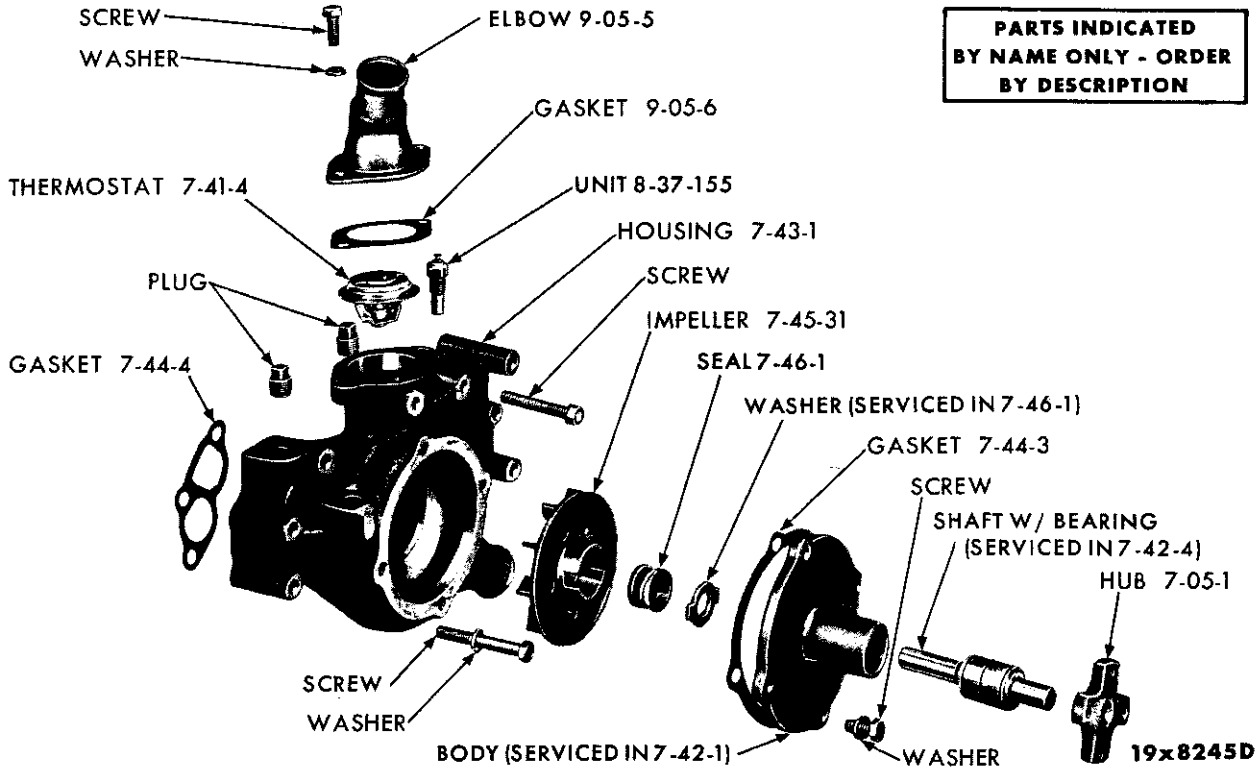
GRILLE - DODGE TA3

**PARTS INDICATED  
BY NAME ONLY - ORDER  
BY DESCRIPTION**

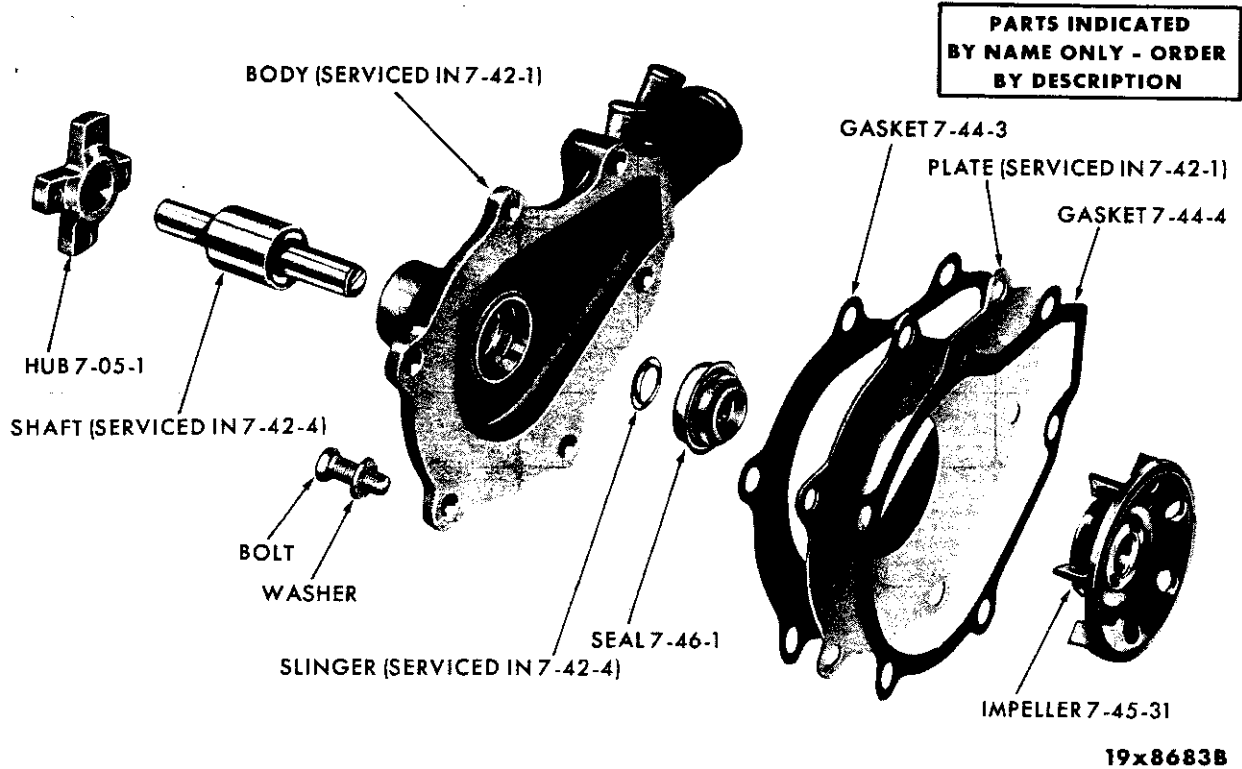


19x9447

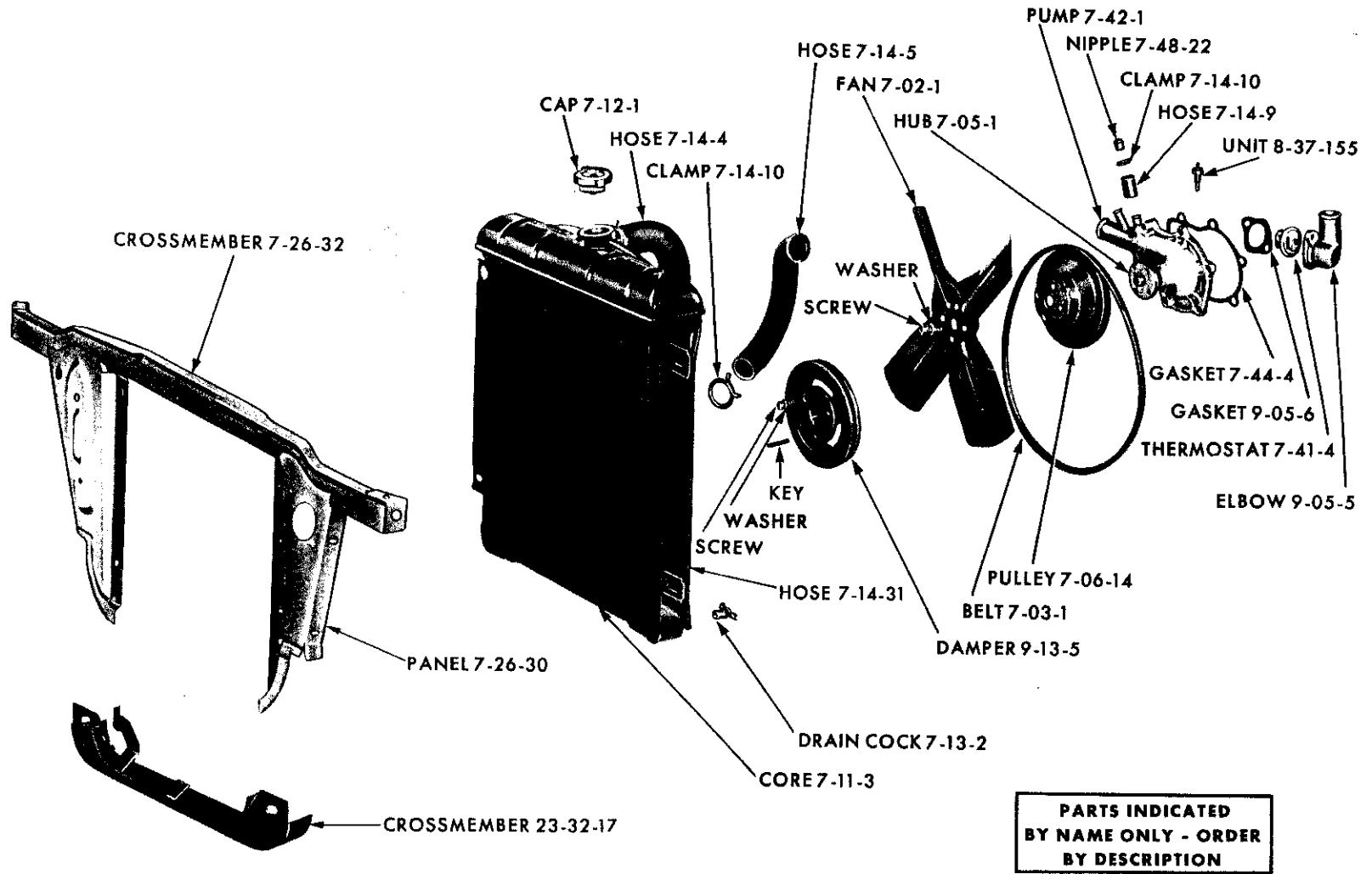
WATER PUMP (V8 CYLINDER) - WITH 318 CU.IN. ENGINE



WATER PUMP (V8 CYLINDER) - WITH 361, 383, 413 AND 426 CU. IN. ENGINE



WATER PUMP - 6 CYLINDER

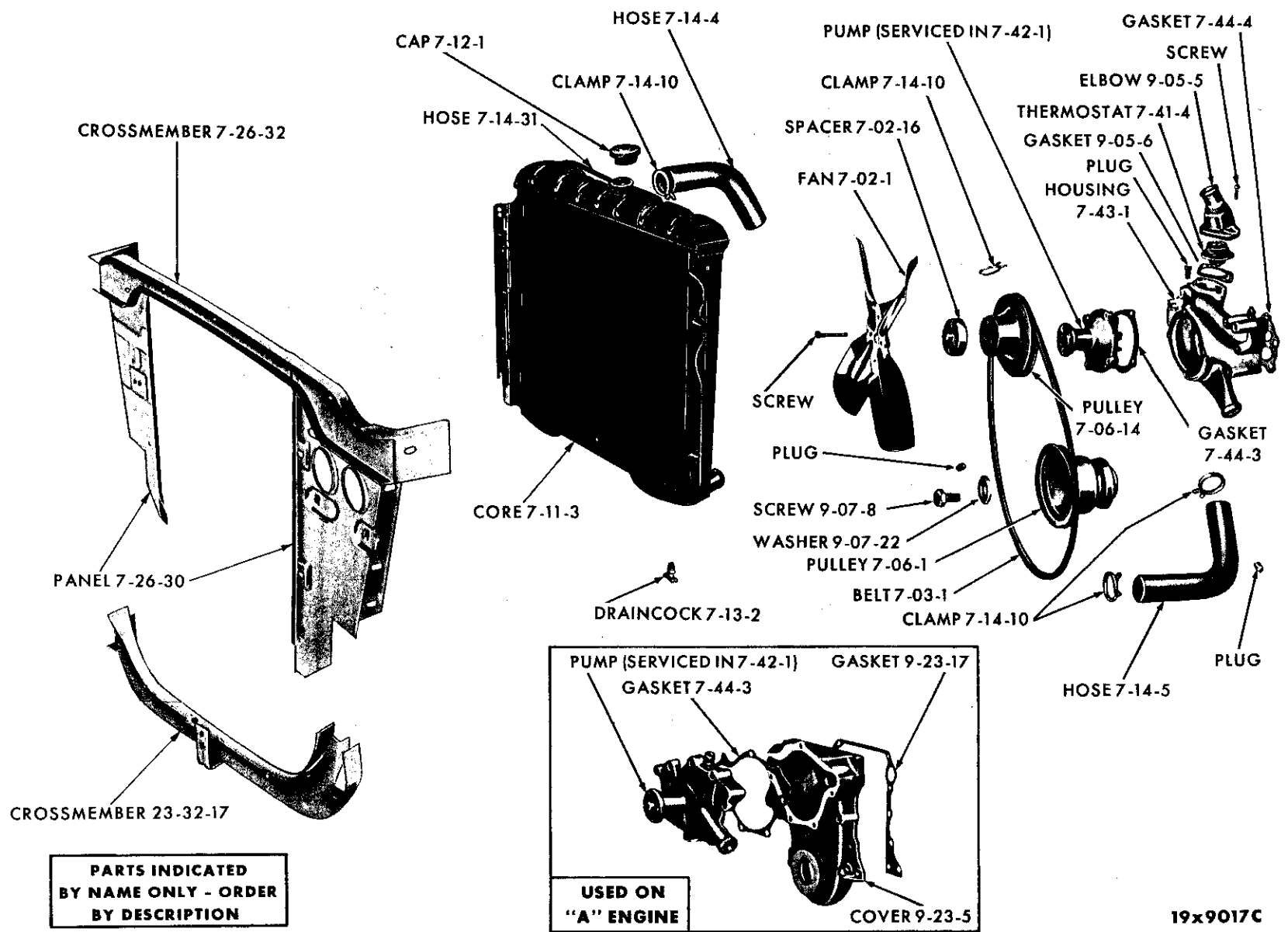


COOLING SYSTEM (6 CYLINDER) - VALIANT TV1 AND DART TL1

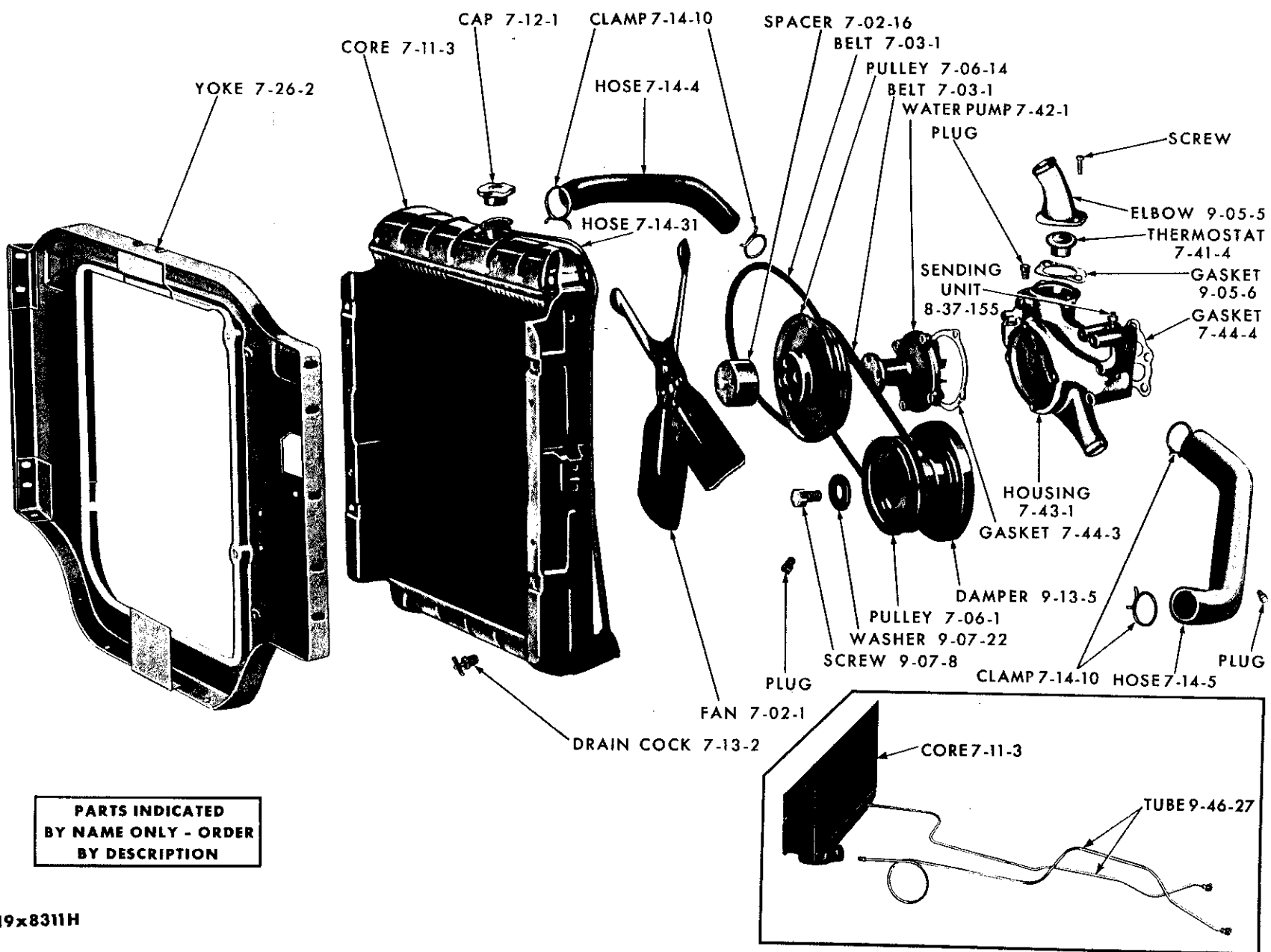
19x8844D







COOLING SYSTEM (V8 CYLINDER) - PLYMOUTH TP2 AND DODGE TD2



**PARTS INDICATED  
BY NAME ONLY - ORDER  
BY DESCRIPTION**

19x8311H

COOLING SYSTEM - DODGE TA3, CHRYSLER TC1-2-3 AND IMPERIAL TY1



Figure 1

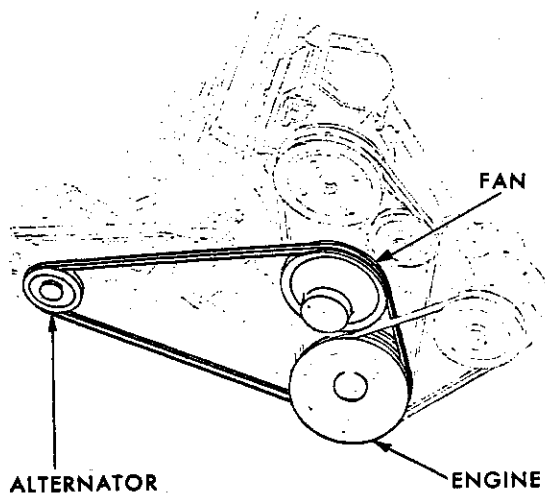


Figure 2

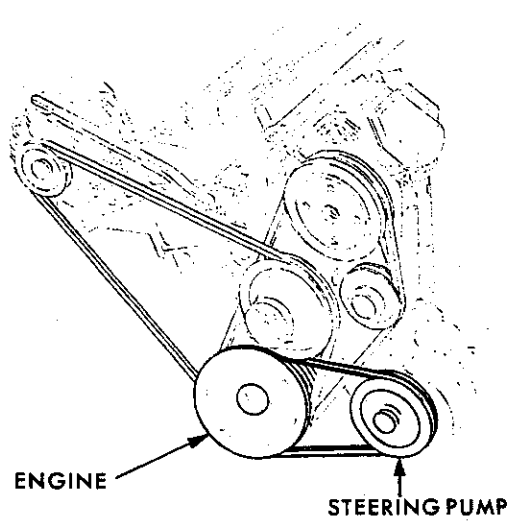


Figure 3

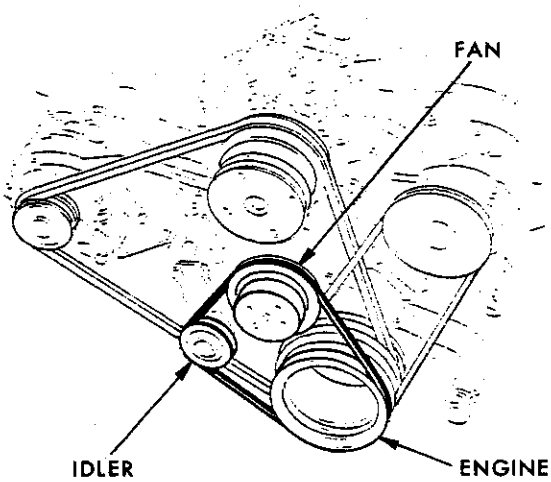


Figure 4

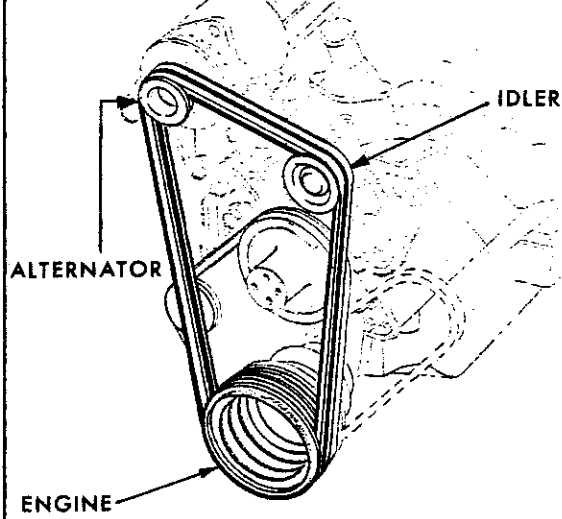


Figure 5

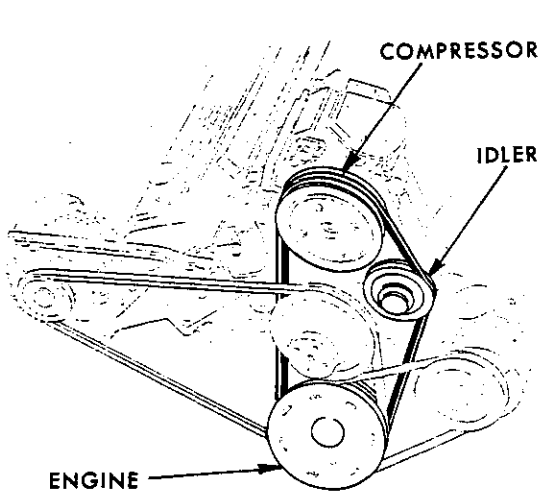
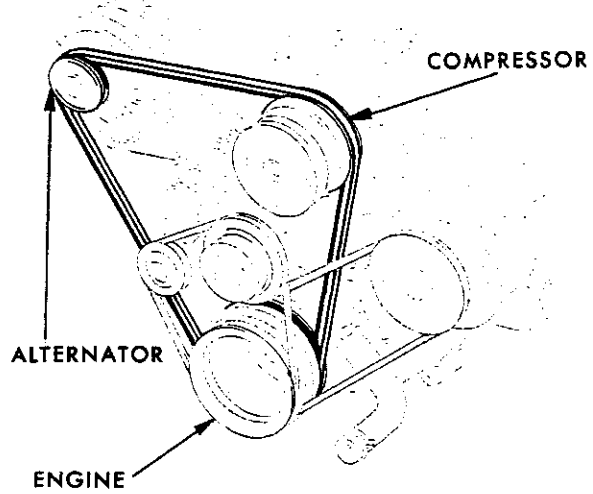


Figure 6



19x9214A

FAN BELT CHART





CODE	PART NAME AND DESCRIPTION	CYL	PER CAR	VALIANT DART	PLYMOUTH DODGE	CHRYSLER IMPERIAL
<b>7-02-0 FAN ASSEMBLY</b>						
7-02-1	FAN, w/o Air Conditioning . . . . .	6	1	2121 971	1947 907	
	w/Air Conditioning . . . . .	6	1	2206 356	2265 034	
	w/o Air Conditioning . . . . .	8	1	----	2265 034	2265 034
	w/o Air Conditioning, w/426 cu. in. Engine . . .	8	1	----	*2121 013	
	w/Air Conditioning, w/318 cu. in. Engine. . . . .	8	1	----	2120 208	
	w/Air Conditioning, TP2, TD2, w/361 and 383 cu. in. Engine, TC1, TC2 . . . . .	8	1	----	*2121 013	*2121 013
	w/Air Conditioning, TC1, TC2, TC3, w/413 cu. in. Eng., TA3 . . . . .	8	1	----	2402 282	2402 282
	w/Air Conditioning, TY1 . . . . .	8	1	----	----	2121 014
	w/o Air Conditioning, TC2-300J. . . . .	8	1	----	----	2121 013
	w/o Air Conditioning, Heavy Duty. . . . .	8	1	----	2120 208	
	w/o Air Conditioning, TP2, TD2, w/361 cu. in. Engine, TC1, TC2, TC3, w/Leece-Neville Alternator . . . . .	8	1	----	2120 208	2120 208
	w/Model H Air Conditioning, w/225 cu. in. Engine . . . . .	6	1	----	1735 941	
	w/Model H Air Conditioning, w/361, 383 and 413 cu. in. Engine . . . . .	8	1	----	1985 513	1985 513
7-02-16	SPACER, w/o Air Conditioning . . . . .	6	1	2265 037	1730 155	
	w/318 cu. in. Engine . . . . .	8	1	----	2265 036	
	w/361, 383, 413 and 426 cu. in. Engine, TC1, TC2, TC3 . . . . .	8	1	----	1730 155	1730 155
	TY1 . . . . .	8	1	----	----	2120 510
	w/Heavy Duty Fan, w/318 cu. in. Engine . . . . .	8	1	----	1825 956	
	w/Heavy Duty Fan, w/361, 383 and 413 cu. in. Engine, TC1 Police . . . . .	8	1	----	1730 155	1730 155
	w/Leece-Neville Alternator, w/361, 383 and 413 cu. in. Engine, TC1 Police. . . . .	8	1	----	1730 155	1730 155
	w/Air Conditioning . . . . .	6	1	----	1825 932	
	w/Air Conditioning, w/318 cu. in. Engine. . . . .	8	1	----	1825 956	
	w/Model H Air Conditioning, w/361, 383 and 413 cu. in. Engine . . . . .	8	1	----	*2003 059	*2003 059
<b>7-03-0 FAN AND RELATED DRIVE BELTS</b>						
NOTE: See Illustrations in Front of Group 7.						
<b>7-04-0 FAN AND ALTERNATOR IDLER PULLEY</b>						
7-04-1	PULLEY, Fan Idler . . . . .	8	1	----	2240 397	2240 397
	Alternator Idler, w/Leece-Neville Alternator, TC1 . . . . .	8	1	----	1859 770	1859 770
7-04-5	BRACKET, Fan Idler Pulley, w/318 cu. in. Engine . . . . .	8	1	----	2129 666	
	w/361, 383, 413 and 426 cu. in. Engine . . . . .	8	1	----	2129 667	2129 667
	Alternator Idler Pulley, TC1. . . . .	8	1	----	2264 517	2264 517
7-04-6	SCREW, Adjusting . . . . .		★	----	*2206 300	
7-04-8	REINFORCEMENT, Alternator Idler Pulley Bracket Support, w/Leece-Neville Alternator, w/318 cu. in. Engine . . . . .	8	1	----	2406 647	
7-04-9	SUPPORT, Alternator Idler Pulley Bracket, w/Leece-Neville Alternator, w/318, 361, 383 and 413 cu. in. Engine, TC1 Police . . . . .	8	1	----	2406 646	2406 646

★ Indicates use as required. Numerals in parentheses ( ) refer to notes. Printed in U.S.A.  
 ☐ Indicates parts not listed in any previous parts book. Prices and specifications subject to change without notice.  
 \* Indicates change or addition.

# 1963 PASSENGER CAR PARTS CATALOG

CODE	PART NAME AND DESCRIPTION	CYL	PER CAR	VALIANT DART	PLYMOUTH DODGE	CHRYSLER IMPERIAL
<b>7-04-0 FAN AND ALTERNATOR IDLER PULLEY - Cont'd</b>						
7-04-10	SPACER, Alternator Idler Pulley Bracket, Leece-Neville Alternator, w/318 cu. in. Engine . . . . .	8	1	----	2202 380	
	Alternator Idler Pulley Bracket, w/Leece-Neville Alternator, w/361, 383 and 413 cu. in. Engine, TC1 . . . . .	8	1	----	2203 195	2203 195
	Fan Idler Pulley Bracket, w/Air Conditioning, w/361, 383, 413 and 426 cu. in. Engine . . . . .	8	1	----	1851 608	1851 608
7-04-13	BRACKET, Alternator Idler Pulley Bracket Spacer, w/Leece-Neville Alternator, w/318 318 cu. in. Engine . . . . .	8	1	----	1945 384	
7-04-16	SPACER, Alternator Idler Pulley Bearing, TC1 . .	8	1	----	2120 520	2120 520
7-04-20	NUT, Alternator Idler Pulley Bolt, TC1, w/Leece-Neville Alternator . . . . .	8	1	----	*2072 728	*2072 728
<b>7-05-0 FAN PULLEY HUB</b>						
7-05-1	HUB . . . . .		1	2129 265	2129 265	2129 265
<b>7-06-0 FAN DRIVE AND DRIVEN PULLEYS</b>						
7-06-1	PULLEY, Drive, w/Power Steering, except Police and Taxi . . . . .	6	1	2205 518	2205 518	
	w/Leece-Neville Alternator . . . . .	6	1	2264 449	2264 449	
	w/Air Conditioning . . . . .	6	1	2202 794	2202 794	
	w/Power Strg., TP1, TD1, Police and Taxi . . . . .	6	1	----	2202 794	
	w/318 cu. in. Engine, w/o Power Strg. . . . .	8	1	----	1821 411	
	w/318 cu. in. Engine, w/Power Strg. . . . .	8	1	----	1855 152	
	w/318 cu. in. Engine, w/Air Conditioning . . . . .	8	1	----	2402 730	
	w/318 cu. in. Engine, w/Leece-Neville Alternator	8	1	----	1859 580	
	w/361 and 383 cu. in. Engine, w/o Power Strg., w/o Air Conditioning . . . . .	8	1	----	1821 449	
	w/413 and 426 cu. in. Engine, w/o Power Strg., w/o Air Conditioning . . . . .	8	1	----	2402 294	
	w/361, 383, 413 and 426 cu. in. Engine, w/Power Strg., w/o Air Conditioning . . . . .	8	1	----	1826 053	1826 053
	w/361 and 383 cu. in. Engine, w/Air Conditioning	8	1	----	1859 252	1859 252
	w/413 cu. in. Engine, w/Air Conditioning, TA3 . .	8	1	----	2128 545	2128 545
	w/361, 383 and 413 cu. in. Engine, w/Leece-Neville Alternator . . . . .	8	1	----	1859 252	1859 252
	w/Model H Air Conditioning, w/361, 383 and 413 cu. in. Engine . . . . .	8	1	----	2011 445	2011 445
7-06-3	HUB, Drive Pulley, w/318 cu. in. Engine, w/Leece-Neville Alternator . . . . .	8	1	----	1733 805	
7-06-14	PULLEY, Fan Driven . . . . .	6	1	2202 666	2202 666	
	w/Leece-Neville Alternator . . . . .	6	1	2264 450	2264 450	
	w/Air Conditioning . . . . .	6	1	2406 039	2406 039	
	w/318 cu. in. Engine . . . . .	8	1	----	1852 582	
	w/361 and 383 cu. in. Engine, w/o Air Conditioning, TP2, TD2 . . . . .	8	1	----	*1821 452	
	w/413 and 426 cu. in. Engine, w/o Air Conditioning, TP2, TD2 . . . . .	8	1	----	*2402 296	
	w/361, 383, 413 and 426 cu. in. Engine, w/o Air Conditioning, TA3 . . . . .	8	1	----	*1821 452	*1821 452
	w/361, 383, 413 and 426 cu. in. Engine, w/Air Conditioning . . . . .	8	1	----	2121 016	2121 016
	w/361, 383 and 413 cu. in. Engine, w/Leece-Neville Alternator, TC1 . . . . .	8	1	----	1851 248	1851 248
	w/Model H Air Conditioning, w/361, 383 and 413 cu. in. Engine . . . . .	8	1	----	1999 180	1999 180

★ Indicates use as required.

Numerals in parentheses ( ) refer to notes.

Printed in U.S.A.

☐ Indicates parts not listed in any previous parts book.

Prices and specifications subject to change without notice.

Jan. 3, 1964 Supersedes Dec. 14, 1962.

Page 7-12

\* Indicates change or addition.



CODE	PART NAME AND DESCRIPTION	C Y L.	PER CAR	VALIANT DART	PLYMOUTH DODGE	CHRYSLER IMPERIAL
<b>7-07-O FAN FLUID DRIVE UNIT</b>						
7-07-1	UNIT, Fan Fluid Drive, w/o Thermostatic Coil, w/Air Conditioning, w/361 and 383 cu. in. Engine, TP2, TD2 . . . . .	8	1	----	*2268 903	
	w/361 and 383 cu. in. Engine, TA3, TC1, TC2. . . . .	8	1	----	2421 130	2421 130
	w/413 cu. in. Engine, TA3 . . . . .	8	1	----	*2402 848	*2402 848
	w/o Air Conditioning, TC2-300J . . . . .	8	1	----	----	*2402 848
	w/Thermostatic Coil, w/Air Conditioning, TA3 . . . . .	8	1	----	*2402 848	*2402 848
	w/o Air Conditioning, TP2, TD2, w/426 cu. in. Engine . . . . .	8	1	----	*2268 903	
<b>7-08-O RADIATOR CORE FAN SHROUD</b>						
7-08-2	SHROUD, Upper. . . . .	6	1	2417 435		
	Lower . . . . .	6	1	2417 442		
	Upper and Lower . . . . .	6	2	----	1686 463	
	Upper, TC1, TC2, TC3. . . . .	8	1	----	2417 423	2417 423
	Lower, TC1, TC2, TC3. . . . .	8	1	----	2417 427	2417 427
	Upper, TY1 . . . . .	8	1	----	----	1686 412
	Lower, TY1 . . . . .	8	1	----	----	1686 414
7-08-7	BUMPER, TY1 . . . . .	8	4	----	----	1624 506
7-08-9	FILLER, to Core, Upper. . . . .	6	1	----	2099 962	
	Lower . . . . .	6	1	----	2099 963	
7-08-13	BRACKET, Right . . . . .	6	1	*2417 444	2099 944	
	Left . . . . .	6	1	----	2099 945	
	TP2, TD2 . . . . .	8	4	----	2099 555	
	Right, TY1 . . . . .	8	1	----	----	1686 451
	Left, TY1 . . . . .	8	1	----	----	1686 453
7-08-15	STUD, Upper to Lower Shroud, TC1, TC2, TC3 . . . . .	8	2	----	*1641 903	*1641 903
7-08-16	NUT . . . . .	6	2	6000 124	6000 124	
	TC1, TC2, TC3 . . . . .	8	4	----	6000 124	6000 124
	TY1 . . . . .	8	4	----	----	6010 006
<b>7-11-O RADIATOR CORE</b>						
				Standard	High Altitude	Air Conditioning
7-11-3	CORE, TL1, TV1, w/Std. Trans. . . . .	6	1	2276 825	2276 822	
	TL1, TV1, w/Auto. Trans. . . . .	6	1	2276 826	2276 822	
	TP1, TD1, w/Std. Trans. . . . .	6	1	2276 832	2276 830	2276 831
	TP1, TD1, w/Auto. Trans. . . . .	6	1	2276 833	2276 830	2276 831
	TP2, TD2, w/Std. Trans., w/318 cu.in. Engine. . . . .	8	1	2276 837	2276 839	2276 839
	TP2, TD2, w/Auto. Trans., w/318 cu.in. Engine. . . . .	8	1	2276 838	2276 839	2276 839
	TP2, TD2, w/361 or 426 cu. in. Engine . . . . .	8	1	2276 844	2276 842	2276 842
	TP2, TD2, w/383 cu. in. Engine. . . . .	8	1	2276 842	2276 842	2276 842
	TP2-P, TD2-P, w/383 cu. in. Engine . . . . .	8	1	2276 844	2276 842	2276 842
	TA3, TC1, TC2, w/361 and 383 cu. in. Engine . . . . .	8	1	2276 849	2276 847	2276 848
	TC1, TC2, TC3, w/413 cu. in. Engine . . . . .	8	1	2276 853	2276 851	2276 852
	TY1, w/413 cu. in. Engine. . . . .	8	1	2276 854	2276 855	2276 855

★ Indicates use as required. Numerals in parentheses ( ) refer to notes. Printed in U.S.A.  
 ☐ Indicates parts not listed in any previous parts book. Prices and specifications subject to change without notice.  
 \* Indicates change or addition.

# 1963 PASSENGER CAR PARTS CATALOG

COOLING

CODE	PART NAME AND DESCRIPTION	C Y L.	PER CAR	VALIANT DART	PLYMOUTH DODGE	CHRYSLER IMPERIAL
<b>7-12-O RADIATOR FILLER CAP</b>						
7-12-1	CAP . . . . .		1	1686 107	1686 107	1686 107
<b>7-13-O RADIATOR DRAIN COCK</b>						
7-13-2	DRAIN COCK . . . . .		1	1686 198	1686 198	1686 198
<b>7-14-O RADIATOR HOSE</b>						
7-14-4	HOSE, Inlet, Upper, w/170 cu. in. Engine . . . . .	6	1	2268 911		
	w/225 cu. in. Engine . . . . .	6	1	2268 912	1881 804	
	w/Air Conditioning . . . . .	6	1	*1881 805	*1881 805	
	w/Auto. Trans., TP1, TD1, Police and Taxi . . . . .	6	1	----	*2406 713	
	w/o Air Conditioning, TP2, TD2 . . . . .	8	1	----	*1881 813	
	TA3 . . . . .	8	1	----	*1881 804	*1881 804
	w/Air Conditioning . . . . .	8	1	----	1881 806	1881 805
	w/361 and 383 cu. in. Engine, w/Leece-Neville Alternator . . . . .	8	1	----	1881 806	
	w/361, 383 and 413 cu. in. Engine, w/Leece-Neville Alternator, TA3 . . . . .	8	1	----	2268 986	2268 986
7-14-5	HOSE, Outlet, Lower . . . . .	6	1	2268 651	2268 598	
	w/Auto. Trans., TP1, TD1, Police and Taxi . . . . .	6	1	----	2406 714	
	w/318 cu. in. Engine . . . . .	8	1	----	1881 805	
	w/361, 383, 413 and 426 cu. in. Engine, TC1, TC2, TC3 . . . . .	8	1	----	2196 934	2196 934
	TY1 . . . . .	8	1	----	----	1881 809
7-14-9	HOSE, Water Pump By-Pass, 50 foot roll, 5/8" I.D. w/318 cu. in. Engine . . . . .	6	★	*1315 466	*1315 466	
		8	1	----	1730 366	
7-14-10	CLAMP PACKAGE, Radiator Hose, Large, 1 1/2" to 2 3/4" . . . . .		★	1450 500	1450 500	1450 500
7-14-13	CLAMP, Hose, Worm Gear Type, 1 1/4" to 1 15/16" . . . . .		★	E2448 762	E2448 762	E2448 762
	1 1/2" to 2 1/4" . . . . .		★	E2448 763	E2448 763	E2448 763
	2 1/8" to 2 7/8" . . . . .		★	E2448 764	E2448 764	E2448 764
7-14-31	HOSE, Radiator Overflow 9/32" I.D. (sold by the inch) . . . . .		★	*1904 950	*1904 950	*1904 950
<b>7-16-O RADIATOR GRILLE</b>						
7-16-11	GRILLE, TV1 . . . . .	6	1	2276 048		
	TL1 . . . . .	6	1	2276 114		
	Center, TP1, TP2 . . . . .		1	----	2276 304	
	Right, TP1, TP2 . . . . .		1	----	2276 306	
	Left, TP1, TP2 . . . . .		1	----	2276 307	
	TD1, TD2 . . . . .		1	----	2417 250	
	GRILLE, TC1 . . . . .	8	1	----	----	2445 088
	TC2 . . . . .	8	1	----	----	2276 409
	Right, TA3, TC3 . . . . .	8	1	----	2417 282	2276 418
	Left, TA3, TC3 . . . . .	8	1	----	2417 283	2276 419
	Center, Right, TY1 . . . . .	8	1	----	----	2276 718
	Center, Left, TY1 . . . . .	8	1	----	----	2276 719
	Intermediate, Right, TY1 . . . . .	8	1	----	----	2276 720
	Intermediate, Left, TY1 . . . . .	8	1	----	----	2276 721
	Outer, Right, TY1 . . . . .	8	1	----	----	2276 722
	Outer, Left, TY1 . . . . .	8	1	----	----	2276 723
7-16-12	SCREW, to Grille, TV1 . . . . .	6	3	*6022 951		
	Grille Panel to Yoke Crossmember, TV1 . . . . .	6	2	6022 951		

★ Indicates use as required. Numerals in parentheses ( ) refer to notes. Printed in U.S.A.  
 E Indicates parts not listed in any previous parts book. Prices and specifications subject to change without notice.  
 Jan. 3, 1964 Supersedes Dec. 14, 1962. \* Indicates change or addition.

CODE	PART NAME AND DESCRIPTION	C Y L.	PER CAR	VALIANT DART	PLYMOUTH DODGE	CHRYSLER IMPERIAL
<b>7-16-0 RADIATOR GRILLE - Cont'd</b>						
7-16-12	SCREW - Cont'd					
	Grille Panel to Headlamp Housing, TV1 . . . . .	6	6	6022 951		
	To Radiator Cross Bar, TL1 . . . . .	6	6	6022 951		
	Grille to Cross Bar, TP1, TP2 . . . . .		6	----	6022 951	
	Grille to Headlamp Plate, TP1, TP2 . . . . .		2	----	6022 951	
	Grille Frame to Grille, TD1, TD2 . . . . .		6	----	6022 951	
	Grille Frame to Hood Lock Brace, TD1, TD2 . .		1	----	6022 951	
	Grille to Radiator Cross Bar, TC1 . . . . .	8	8	----	----	6022 951
	Grille to Frame, TC1 . . . . .	8	5	----	----	*6023 535
	Grille to Frame, TC1 . . . . .	8	2	----	----	6024 000
	Grille to Frame, TC2 . . . . .	8	8	----	----	6023 535
	Grille to Cross Bar, TC2 . . . . .	8	6	----	----	6023 535
	Grille Bar to Lower Front Bracket, TC2 . . . . .	8	1	----	----	6023 535
	Grille to Grille Frame, TC3 . . . . .	8	12	----	----	6024 004
	Grille to Grille Frame Wedge, TC3 . . . . .	8	12	----	----	6024 009
	Grille Frame to Bracket, TC3 . . . . .	8	4	----	----	6023 368
7-16-15	SEAL, Radiator Grille Extension, TD1, TD2 . . . .		6	----	2097 419	
7-16-19	WEDGE, Grille to Frame, TC3 . . . . .	8	12	----	----	2276 875
7-16-22	BRACE, TY1 . . . . .	8	2	----	----	1904 131
7-16-25	BRACKET, Grille and Grille Panel, TA3 . . . . .	8	5	----	2417 483	
	Grille Frame to Grille Opening Frame, TC3 . . .	8	4	----	----	2276 421
	Grille Frame to Cross Bar, TC3 . . . . .	8	4	----	----	2276 631
7-16-29	SUPPORT, Grille Bar Grille Opening Frame, TC2 .	8	2	----	----	2445 036
7-16-36	GRILLE FRAME and MOULDINGS					
	NOTE: See Exterior Moulding Illustrations in Front of Group 23 Body.					
7-16-37	CLIP, Grille Opening Moulding, TC1, TC2, TC3 . .	8	9	----	----	6001 070
7-16-38	NUT, Grille to Grille Panel, TV1 . . . . .	6	2	6023 164		
	Grille to Grille Panel, TV1 . . . . .	6	6	6023 201		
	Grille to Headlamp Door, TD1, TD2 . . . . .		4	----	*6023 165	
	Grille to Hood Lock Support, TD1, TD2 . . . . .		1	----	6023 168	
	Grille to Hood Lock Support Brace, TD1, TD2 . .		1	----	6023 152	
	Grille to Grille Frame, TD1, TD2, TC2 . . . . .	8	----	----	6023 152	6023 152
	Grille to Lock Support Bracket, TA3 . . . . .	8	1	----	6023 670	
	Right Grille to Left Grille, TA3 . . . . .	8	2	----	6023 670	
	Grille to Frame, Side, TC1 . . . . .	8	2	----	----	6025 002
	Grille to Frame, Lower, TC1 . . . . .	8	5	----	----	*6023 165
	Grille to Cross Bar, TC2 . . . . .	8	6	----	----	*6023 165
	Grille to Frame, TC2 . . . . .	8	1	----	----	*6023 165
	Grille Frame to Grille Opening Frame, TC3 . . .	8	4	----	----	6023 152
	Grille Moulding, TC1, TC2, TC3 . . . . .	8	★	----	----	6023 284
	Grille Frame to Grille Panel, TC1, TC2, TC3 . .	8	5	----	----	6023 284
	Grille Frame to Fender, TC1, TC2, TC3 . . . . .	8	4	----	----	6023 284
	Grille Panel to Fender, TC1, TC2, TC3 . . . . .	8	4	----	----	6023 167
	Grille to Grille Frame, TY1 . . . . .	8	22	----	----	6023 202
	Grille Frame Attaching, TY1 . . . . .	8	14	----	----	6023 202
7-16-44	GRILLE MOULDING CAP					
	NOTE: See Exterior Moulding Illustrations in Front of Group 23 Body.					
7-16-47	BAR, Center, TC2 . . . . .	8	1	----	----	2276 412

★ Indicates use as required.

Numerals in parentheses ( ) refer to notes.

Printed in U.S.A.

□ Indicates parts not listed in any previous parts book.

Prices and specifications subject to change without notice.

\* Indicates change or addition.

Jan. 3, 1964 Supersedes Dec. 14, 1962.

# 1963 PASSENGER CAR PARTS CATALOG

COOLING

CODE	PART NAME AND DESCRIPTION	CYL.	PER CAR	VALIANT DART	PLYMOUTH DODGE	CHRYSLER IMPERIAL
<b>7-16-0 RADIATOR GRILLE - Cont'd</b>						
7-16-55	REINFORCEMENT, Grille Panel to Yoke Crossmember, TV1 . . . . .	6	1	2276 511		
7-16-59	GASKET, to Stone Deflector, TP1, TP2 . . . . .		1	----	2276 623	
7-16-63	PANEL, Grille, TV1 . . . . .	6	1	2276 049		
	Grille Panel to Yoke, Lower, Right, TV1 . . . . .	6	1	2276 506		
	Left, TV1 . . . . .	6	1	2276 507		
	Grille, Center, TA3, TC1, TC2, TC3 . . . . .	8	1	----	2417 836	2276 422
	Grille, Lower, TY1 . . . . .	8	1	----	----	1904 139
7-16-65	DOOR, Hood Lock Access, TC1 . . . . .	8	1	----	----	2276 565
7-16-66	SPRING, Hood Lock Access Door, TC1 . . . . .	8	1	----	----	2276 566
7-16-67	REINFORCEMENT, Grille Panel, TV1 . . . . .	6	1	2276 063		
7-16-70	PIN, Hood Lock Access Door, TC1 . . . . .	8	1	----	----	2276 567
7-16-80	RETAINER, Access Door Pin, TC1 . . . . .	8	1	----	----	6006 079
7-16-82	BUMPER, Radiator Center Grille, TP1, TP2 . . . . .		6	----	1651 493	

## 7-17-0 RADIATOR GRILLE MEDALLION OR ORNAMENT

NOTE: See Exterior Moulding Illustrations in Front of Group 23 Body.

<b>7-26-0 RADIATOR YOKE</b>						
7-26-2	YOKE, TA3, TC1, TC2, TC3 . . . . .	8	1	----	2276 914	2276 914
	TY1 . . . . .	8	1	----	----	2425 490
7-26-3	BRACKET, Yoke to Stone Deflector, Right, TD1, TD2 . . . . .		1	----	2417 616	
	Left, TD1, TD2 . . . . .		1	----	2417 617	
7-26-5	STUD, to Side Shield, TP1, TP2, TD1, TD2 . . . . .		2	6022 016	6022 016	
	To Fender Shear Panel, TY1 . . . . .	8	6	----	----	B6024 628
	To Frame, TA3 . . . . .	8	2	----	----	B6024 628
	To Side Shield, TA3, TC1, TC2, TC3 . . . . .	8	2	----	----	B6024 628
7-26-8	WASHER, to Side Shield . . . . .		2	----	6022 784	
	To Frame, TA3 . . . . .	8	2	----	6022 193	6022 193
7-26-9	SEAL, to Hood, w/Air Conditioning, TP1, TP2, TD1, TD2 . . . . .		1	----	2276 650	
	TA3 . . . . .	8	1	----	2417 505	
7-26-11	NUT, Radiator Yoke to Headlamp Mounting Bracket, TP1, TP2 . . . . .		2	----	6023 167	
7-26-15	SHIELD, Air, TL1, TY1 . . . . .		1	2276 118	----	1903 457
7-26-17	CLIP, Hood Seal, w/Air Conditioning . . . . .		7	----	6001 015	
	Yoke to Core Air Shield, TA3, TY1 . . . . .	8	4	----	6010 060	6010 060
7-26-18	SHIM, Crossmember to Side Shield . . . . .	6	4	B6001 071		
	To Frame, TA3 . . . . .	8	★	----	1902 763	1902 763
7-26-24	REINFORCEMENT, Air Shield Center, TL1 . . . . .	6	1	2417 215		
7-26-28	BRACKET, Inner Headlamp Mounting Plate, TP1, TP2 . . . . .		2	----	2276 898	
7-26-29	NUT, Air Shield to Fender, TL1 . . . . .	6	6	6023 167		
	Air Shield Reinforcement to Frame, TL1 . . . . .	6	2	*6023 168		

★ Indicates use as required.

Numerals in parentheses ( ) refer to notes.

Printed in U.S.A.

B Indicates parts not listed in any previous parts book.

Prices and specifications subject to change without notice.

Jan. 3, 1964 Supersedes Dec. 14, 1962.

Page 7-16

\* Indicates change or addition.

CODE	PART NAME AND DESCRIPTION	C Y L.	PER CAR	VALIANT DART	PLYMOUTH DODGE	CHRYSLER IMPERIAL
<b>7-26-0 RADIATOR YOKE - Cont'd</b>						
7-26-30	PANEL, Side, Right . . . . .		1	2276 394	2099 334	
	Left . . . . .		1	2276 395	2099 335	
7-26-32	CROSSMEMBER, Side Panel . . . . .		1	2276 066	2099 339	
NOTE: For Lower Crossmember See Part Type Code 23-32-17.						
7-26-37	BRACKET, Upper Crossmember to Side Shield, Right . . . . .		1	----	2099 598	
	Left . . . . .		1	----	2099 599	
<b>7-31-0 RADIATOR DUST SHIELD</b>						
7-31-10	SHIELD, Dust, TP1, TP2 . . . . .		1	----	2276 320	
	TD1, TD2, TC1, TC2, TC3 . . . . .		1	----	2276 179	2276 431
	TA3, TY1 . . . . .	8	1	----	2417 291	2099 639
7-31-14	NUT, To Fender . . . . .		★	6023 167	6023 167	
	To Headlamp Splash Shield . . . . .		2	----	6023 167	
	To Headlamp Plate, TC1, TC2, TC3 . . . . .	8	4	----	----	6022 802
	To Center Grille Panel, TC1, TC2, TC3 . . . . .	8	5	----	----	6022 802
	To Yoke, TC1, TC2, TC3 . . . . .	8	4	----	----	*6022 802
	To Lock Support, TC1, TC2, TC3 . . . . .	8	1	----	----	*6022 802
7-31-28	BRACE, Center, TD1, TD2 . . . . .		1	----	2276 180	
7-31-45	SHIM, Radiator Yoke to Fender, TA3 . . . . .	8	★	----	1903 036	1903 036
<b>7-33-0 RADIATOR CROSS BAR</b>						
7-33-1	BAR, TL1, TP1, TP2 . . . . .		1	2276 116	2276 305	
	TD1, TD2 . . . . .		1	----	2276 174	
	TA3, TC1, TC2, TC3 . . . . .	8	1	----	2417 313	2276 424
	TY1 . . . . .	8	1	----	----	2417 834
	To Bracket, TC2 . . . . .	8	2	----	----	6022 951
	Cross Bar, TC1, TC2, TC3 . . . . .	8	4	----	----	6022 802
	To Grille Bar, TC2 . . . . .	8	2	----	----	6023 535
<b>7-35-0 RADIATOR STONE DEFLECTOR</b>						
7-35-2	DEFLECTOR, TP1, TP2 . . . . .		1	----	2276 318	
	TD1, TD2 . . . . .		1	----	2276 184	
	TA3 . . . . .	8	1	----	2417 289	
7-35-13	NUT, TP1, TP2 . . . . .		★	----	6023 152	
	TD1, TD2, TA3 . . . . .		★	----	6023 167	
<b>7-41-0 THERMOSTAT</b>						
7-41-4	THERMOSTAT, 160° Fahrenheit . . . . .	6	1	2129 206	2129 206	
	180° Fahrenheit . . . . .	6	1	2129 205	2129 205	
	180° Fahrenheit . . . . .	8	1	----	1735 011	1735 011
<b>7-42-0 WATER PUMP</b>						
7-42-1	WATER PUMP PACKAGE . . . . .	6	1	2196 910	2196 910	
	w/318 cu. in. Engine . . . . .	8	1	----	2448 315	
	w/361, 383, 413 and 426 cu. in. Engine, w/o Air Conditioning . . . . .	8	1	----	2448 326	2448 326
	w/361, 383, 413 and 426 cu. in. Engine, w/Air Conditioning . . . . .	8	1	----	2448 328	2448 328

★ Indicates use as required.

Numerals in parentheses ( ) refer to notes.

Printed in U.S.A.

☐ Indicates parts not listed in any previous parts book.

Prices and specifications subject to change without notice.

\* Indicates change or addition.

# 1963 PASSENGER CAR PARTS CATALOG

COOLING

CODE	PART NAME AND DESCRIPTION	CYL.	PER CAR	VALIANT DART	PLYMOUTH DODGE	CHRYSLER IMPERIAL
<b>7-42-O WATER PUMP - Cont'd</b>						
7-42-4	REPAIR PACKAGE, Water Pump . . . . .	6	1	2298 907	2298 907	
	w/318 cu. in. Engine . . . . .	8	1	-----	2421 376	
	w/361, 383, 413 and 426 cu. in. Engine, w/o Air Conditioning . . . . .	8	1	-----	2448 327	2448 327
	w/361, 383, 413 and 426 cu. in. Engine, w/Air Conditioning . . . . .	8	1	-----	2448 329	2448 329
<b>7-43-O WATER PUMP HOUSING</b>						
7-43-1	HOUSING, w/361, 383, 413 and 426 cu. in. Engine, w/o Air Conditioning, except TC2-300J . . . . .	8	1	-----	*2448 759	*2448 759
	w/Air Conditioning . . . . .	8	1	-----	2240 318	2240 318
	w/o Air Conditioning, TC2-300J . . . . .	8	1	-----	-----	2240 318
7-43-8	CAP, Heater Hole . . . . .	6	1	2128 425	2128 425	
<b>7-44-O WATER PUMP GASKET</b>						
7-44-3	GASKET, Body . . . . .	6	1	1947 521	1947 521	
	w/318 cu. in. Engine . . . . .	8	1	-----	2129 013	
	w/361, 383, 413 and 426 cu. in. Engine . . . . .	8	1	-----	1737 705	1737 705
7-44-4	GASKET, to Intermediate Plate . . . . .	6	1	1947 523	1947 523	
	To Cylinder Block, w/361, 383, 413 and 426 cu. in. Engine . . . . .	8	2	-----	1737 761	1737 761
<b>7-45-O WATER PUMP SHAFT AND IMPELLER</b>						
7-45-31	IMPELLER . . . . .	6	1	2205 549	2205 549	
	w/318 cu. in. Engine . . . . .	8	1	-----	2402 795	
	w/361, 383, 413 and 426 cu. in. Engine, w/o Air Conditioning . . . . .	8	1	-----	2402 909	2402 909
	w/361, 383, 413 and 426 cu. in. Engine, w/Air Conditioning . . . . .	8	1	-----	2402 923	2402 923
<b>7-46-O WATER PUMP SEAL</b>						
7-46-1	SEAL . . . . .		1	2120 955	2120 955	2120 955
<b>7-48-O WATER PUMP ELBOW OR NIPPLE</b>						
7-48-22	NIPPLE, By-Pass . . . . .	6	1	1947 643	1947 643	

## NOTES

---



---



---



---



---



---



---



---

★ Indicates use as required. Numerals in parentheses ( ) refer to notes. Printed in U.S.A.  
 ☐ Indicates parts not listed in any previous parts book. Prices and specifications subject to change without notice.  
 \* Indicates change or addition.